

CABLE TYPE CURRENT TRANSFORMERS



**CABLE TYPE
CURRENT TRANSFORMERS**

CABLE TYPE CURRENT TRANSFORMERS

APPLICATIONS

KAT and SAA cable type transformers;

are used for metering and protection purposes. Max.operating voltage is 0.72 kV. They can be used with fully insulated cables on all voltage level.

Secondary terminals

One of the secondary terminals should be earthed for safety.

Secondary winding of a current transformer must not be operated with an open circuit. It should be connected measuring devices before application of primary connection as seen in **figure-1**.

The secondary winding of current transformer which will not be used must always be short-circuited and earthed as seen in **figure-2**.

For the transformer with reconnectable and/or tapped secondaries, unused terminals must be left open as seen in **figure 3**.

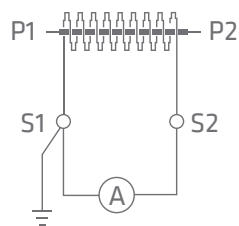


figure-1

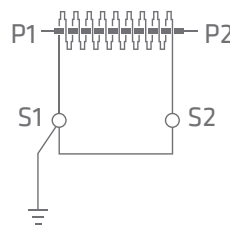


figure-2

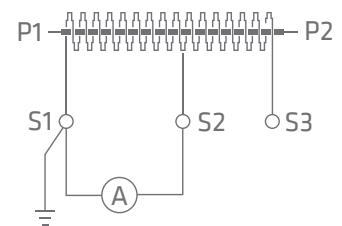


figure-3

ASSEMBLY



Cable type current transformers (KAT) and split core type current transformers (SAA) have a base plate that allows mounting in any position. Those are maintenance-free products on the operation.

If cable type current transformers will be assembled on to isolated HV cable, shielded cable should be earthed as seen on **figure-4** to be able to prevent effects caused by the possible leakage current flow on measuring systems.

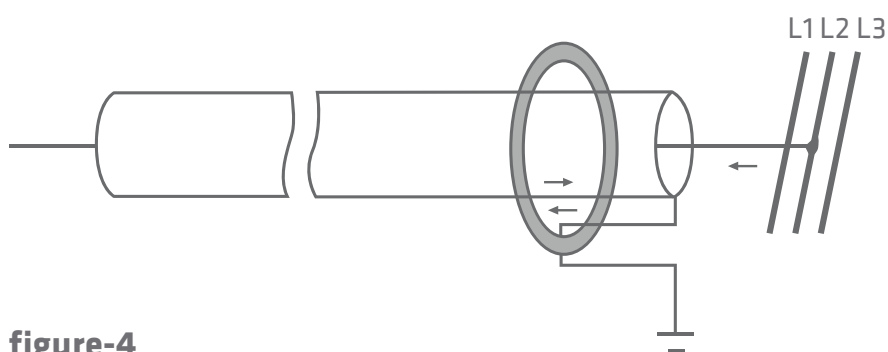
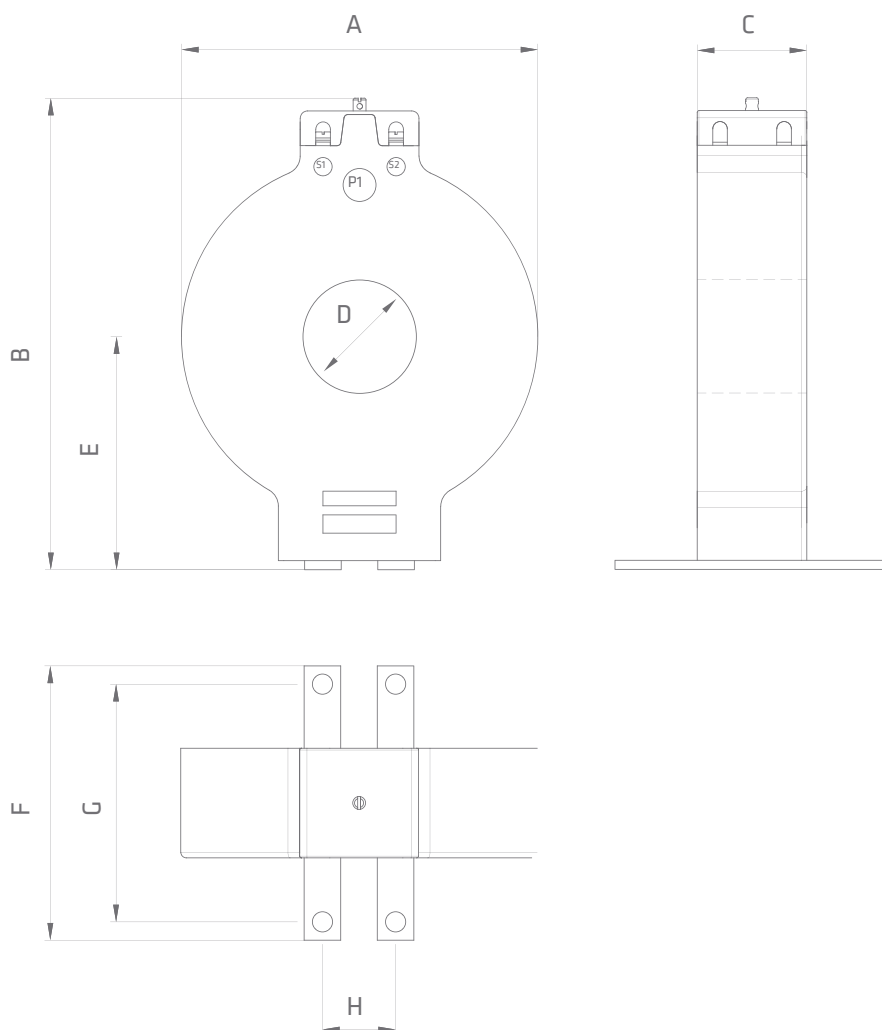


figure-4

CABLE TYPE CURRENT TRANSFORMERS



TECHNICAL DATA

Rated primary current I_{pr} [A]	20.....8000A
Rated secondary current I_s (A)	1A, 5A
Rated frequency	50Hz, 60Hz
Class rated burden [VA]	Acc. to customer requirement
Accuracy class	Acc. to customer requirement
Insulation level	0,72 / 3 / - kV
Rated short time thermal current [I_{th}]	min. $100 \cdot I_{pr}$
Insulation class	E
Standard	IEC, 60044-1, IEC 60044-6, ANSI, GOSTCAN, AS, etc.

DIMENSIONS

Type	A ± 2	B ± 2	C ± 1	D ± 1	E ± 2	F ± 1	G ± 1	H ± 1
KAT-60/195-100	195	259	100	62	127,5			
KAT-80/215-100	215	280	100	82	137,5	150	130	40
KAT-100/235-100	235	299	100	102	147,5			
KAT-60/250-60				62				
KAT-80/250-60				82				
KAT-100/250-60	250	318	60	102	160	150	130	60
KAT-130/250-60				130				
KAT-160/250-60				160				
KAT-180/250-60				180				
KAT-60/250-120				62				
KAT-80/250-120				82				
KAT-100/250-120	247	318	120	102	160	180	160	60
KAT-130/250-120				130				
KAT-160/250-120				160				
KAT-180/250-120				180				

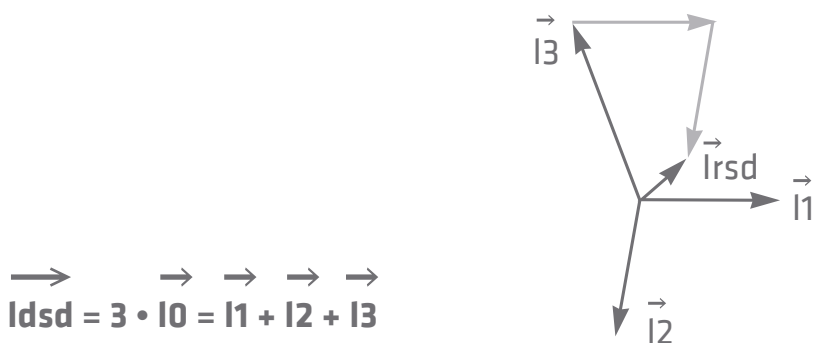
SPLIT CORE CABLE TYPE CURRENT TRANSFORMERS

Split Core Current Transformers have a magnetic circuit which is splitted two parts and its max. operating voltage is 0.72 kV with non-insulated busbars. However they can be used with fully insulated cables on all voltage level. These transformers can be assembled to the system without any power interruption and without the need of demounting any conductor. These transformers are used for measuring and protection. Moreover; they are used for special applications such as measurement of leakage current with precision cores which have high magnetic permeability.

SAA For Measuring Earth Leakage

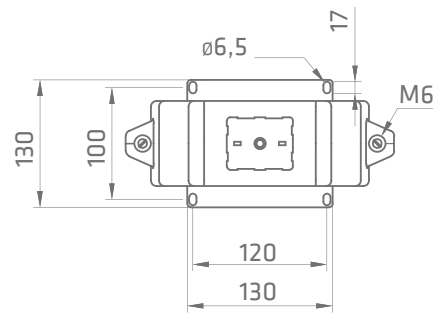
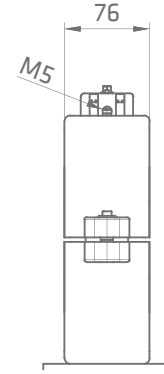
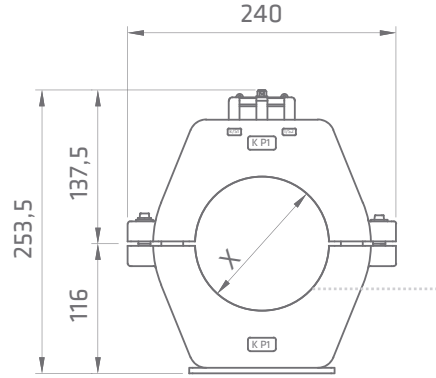
Nominal Current 50A - 100A.

SAA For Measuring Earth Leakage transformers have high permeability cores. They are suitable for measuring earth leakage current at three phase networks. At well designed three phase network, any of three phase current's vectorial sum is zero.



In case of an earth leakage the balance of the current in cable is disrupted and the resultant earth leakage current excites the transformer. Depending on the measurement procedure of the earth fault currents, either a secondary current or a voltage transformer simply actuates earth fault detectors and/or relays.

DIMENSIONS



Type	X(mm)
SAA-80	80
SAA-120	120

TECHNICAL DATA

Rated primary current I _{pr} [A]	50.....2500A
Rated secondary current I _s (A)	1A, 5A
Rated frequency	50Hz, 60Hz
Rated Class Burden	Acc. to customer requirement
Accuracy Class	Acc. to customer requirement
Insulation Class	0,72 / 3 / - kV
Rated Short Time Current	min. 100*I _{pr}
Insulation Class	E
Standard	IEC 60044-1, IEC 60044-6, ANSI, GOST, CAN, AS, etc.



ALCE Elektrik Sanayi ve Ticaret A.Ş.
Ramazanoğlu Mah. Transtek Cad. No: 6
Pendik 34906 İstanbul, TURKEY
T +90-216-585 42 00 F +90-216-378 23 27
www.alce-elektrik.com.tr | info@alce-elektrik.com.tr

