

Low Voltage

Compact NSX

Moulded-case circuit breakers and switch-disconnectors
Measurement and communication
from 100 to 630 A

Catalogue
2009





Compact NSX ●●●

Next-generation circuit breakers

Today, next-generation Compact NSX circuit breakers provide an intelligent outlook and set the standards of tomorrow. A power monitoring unit enhances their invariably impeccable protective functions. For the first time, users can monitor both energy and power, offering new performance in a remarkably compact device.

Compactness, discrimination and modularity – all of the features which defined the success of the Compact NS generation of circuit breakers combined with new functions for safe, easy monitoring and management of installations.

The new range of Compact NSX circuit breakers stands out from the crowd, thanks to its electronic intelligence. Through direct access to in-depth information, and networking via open protocols, Compact NSX lets operators optimise the management of their electrical installations.

Far more than a circuit breaker, Compact NSX is a measurement and communication tool ready to meet energy-efficiency needs through optimised energy consumption, increased energy availability, and improved installation management.



Safety and performance

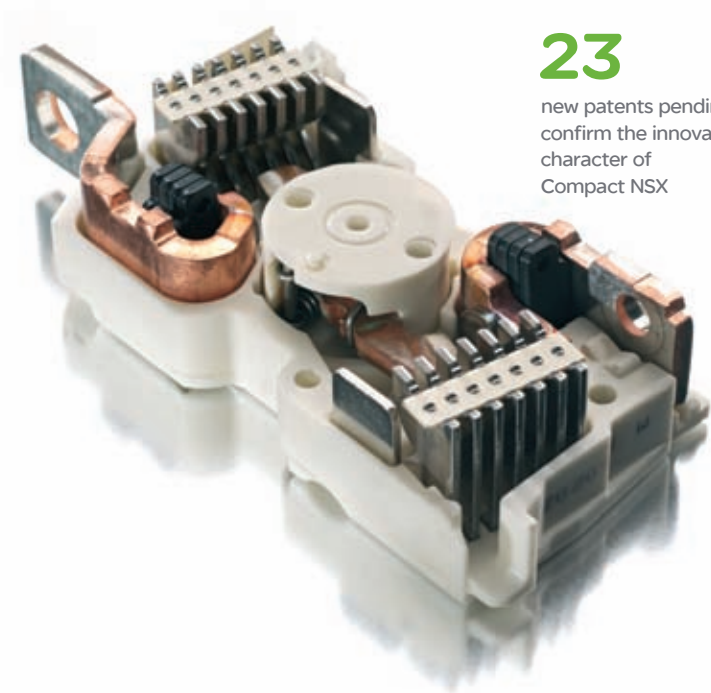
Compactness, discrimination and modularity – new Compact NSX circuit breakers incorporate advanced monitoring and communication functions, from 40 amps up, combined with impeccable protection.



Expert technology

A roto-active contact breaking principle provides each circuit breaker with very high breaking capacity in a very small device, remarkable fault current limitation performance, and endurance.

- > Compact NSX benefits from a patented double roto-active contact breaking concept, together with a reflex tripping system for ultimate breaking.
- > Exceptional fault current limitation guarantees robust, reliable protection and, above all, reduces the causes of component aging, thus extending service life for installations.



23

new patents pending confirm the innovative character of Compact NSX

New breaking capacities

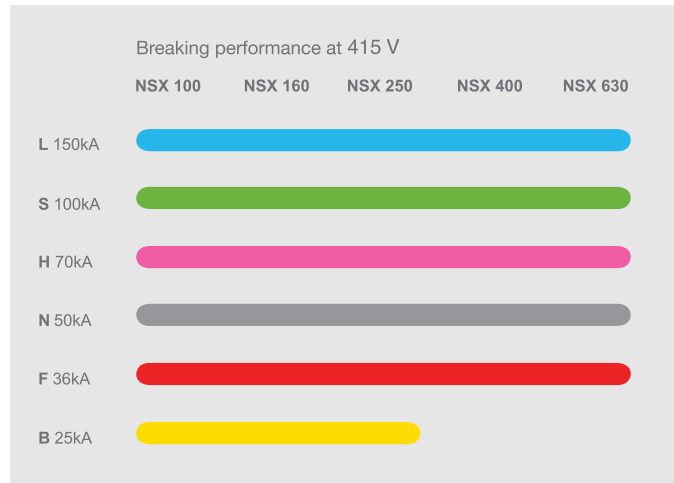
New performance levels for Compact NSX improve application targeting:

- > 25 kA – standard low short-circuit level applications, e.g., for service businesses,
- > 36-50 kA – standard applications (industrial plants, buildings and hospitals),
- > 70-100 kA – high performance at controlled cost,
- > 150 kA – demanding applications (maritime).

Enhanced protection for motors

Compact NSX meets the requirements of IEC 60947-4-1 standards for protection of motors:

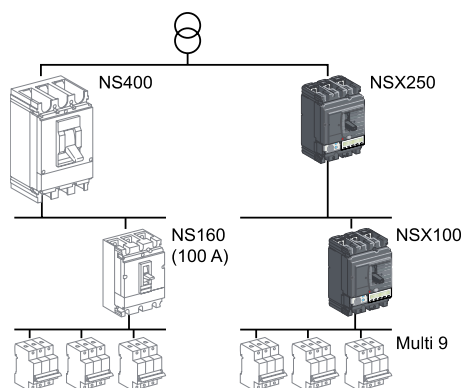
- > well adapted to motor-starting solutions up to 315 kW at 400 V, providing protection against short circuits, overloads, phase unbalance and loss,
- > also enables set-up of additional protection systems for starting and braking with the motor running, reverse braking, jogging or reversing in complete safety,
- > add a Schneider Electric contactor; Compact NSX complies with the requirements of so-called type 2 coordination.



Reduced installation costs

Optimising installations allows for achieving up to 30 % savings:

- > considerable savings at the time of installation, thanks to total discrimination with miniature circuit breakers,
- > smaller devices, more economic switchboards mean best overall installation cost, without overcalibration.



The trip units are now true circuit breaker control systems.



With the integration of electronics, trip units have gained in **speed and accuracy**.



Greater reliability and better discrimination allows more refined settings, especially for time delays.

Monitoring and management

Compact NSX is a single device, which contains a monitoring unit to control energy consumption and power.



Integrated monitoring

> The new Compact NSX range incorporates Micrologic electronic trip units in the circuit breaker, offering both:

- an accurate power monitoring unit,
- a highly reliable protective device.

> A Micrologic electronic tripping device combines next-generation sensors:

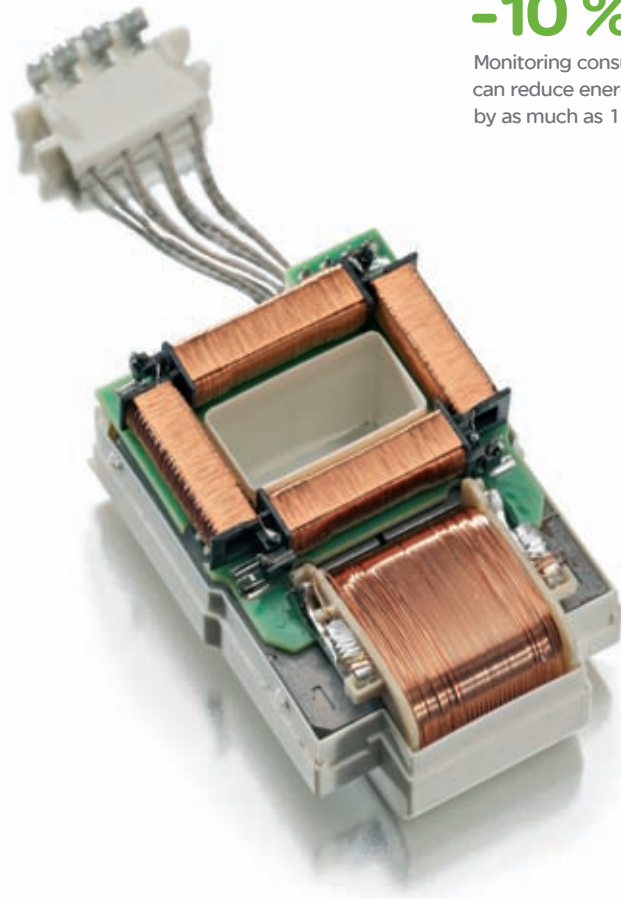
- an "iron" sensor for the power supply to the electronics,
- an "air" sensor (Rogowski coils) for measurement, guaranteeing high accuracy.

> These electronic systems are designed to withstand high temperatures (105°C), ensuring reliability under severe operating conditions.

> The originality lies in how Compact NSX measures, processes and displays data, either directly on screen, on the switchboard front panel, or via a monitoring system.

-10 %

Monitoring consumption can reduce energy costs by as much as 10 %.



Accessibility of information... ..for power monitoring

To keep costs under control and ensure service continuity, relevant information must be available in real time:

- > a kilowatt-hour meter helps optimise costs and their allocation,
- > harmonic distortion rate shows the quality of electrical supply,
- > alarm notification secures operational control and maintenance planning,
- > event logs and tables, activated continuously, ensure the installed equipment base operates correctly, so energy efficiency is maximized.

> Together with power monitoring software (e.g., PowerLogic), the Compact NSX Modbus communication interface provides operators with a parameter set and tools that make system monitoring very easy.

> Operators have real-time data to control energy availability, to monitor power supply quality, to optimise consumption of different applications or zones, reducing load peaks and continuously supplying priority loads, and to draw up maintenance schedules.

> A software utility (RSU) allows protection and alarm configuration, in addition to testing communications with all installed devices.



Logiciel de supervision
PowerLogic ION-E



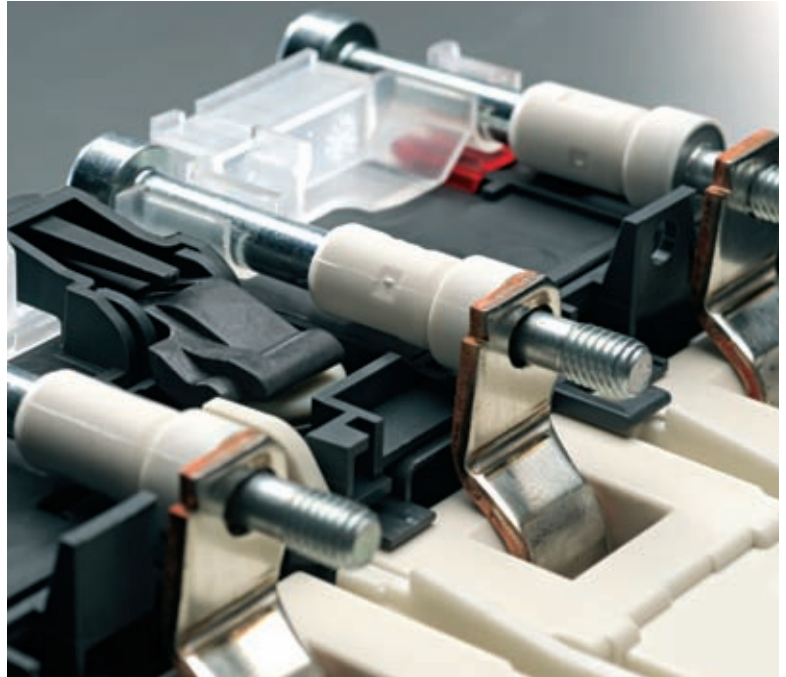
Measurement functions are controlled by an additional microprocessor.

Protection functions are electronically managed independently of measurement functions.

An ASIC (Application-Specific Integrated Circuit) is common to all trip units, which boosts immunity to conducted or radiated interference and increases reliability.

Simplicity

Compact NSX takes the principles of easy installation and use – which made its predecessor so successful – to a higher level.

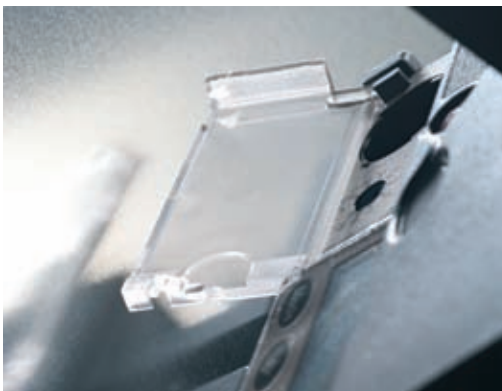


Simple in design

Compact NSX is mounted and wired reusing the same measurements as Compact NS.

Cut-outs are the same whatever the type of handle. Engineering drawings are the same, so installation and connection layouts can be used on new projects, simplifying extensions or retrofits, and reducing maintenance costs.

Integration in help software, for parameter settings and switchboard installation, further eases design.



Simple to install

> A Limited Torque Screw (LTS) system ensures proper installation of the tripping device, for added flexibility. It insures each screw is aligned correctly and tightened to the required torque. The LTS system thus avoids the need for a torque wrench.

> A transparent lead-sealable cover protects access to tripping device switches and prevents settings from being changed.

> The new electrical control adjustment also has a transparent lead-sealable cover to prevent it from being operated accidentally.

> Compact NSX has an optional functional terminal shield that offers excellent protection against direct contact (IP40 on all sides, IP20 at cable entry points) and easy installation.

> All Compact NSX devices can be equipped with a communication function via a pre-wired connection with a Modbus interface module. When the Modbus address is declared, the Compact NSX device is integrated into the network.

65 %

time savings in installation compared with a classic monitoring solution.

> There are four levels of functionalities:

- communication of device status: On/Off position, trip indication and fault-trip indication,
- communication of commands: open, close, and reset,
- communication of measurements: mainly I, U, f, P, E, and THD,
- communication of operating assistance data: settings, parameters, alarms, histograms and event tables, and maintenance indicators.

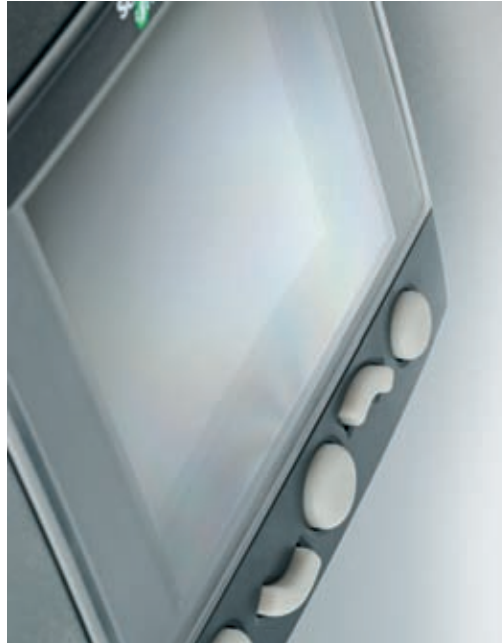
> The switchboard "plug & play" display unit connects to the trip unit without any special settings or configuration. A cable fitted with an RJ45 connector allows for easy integration with communications networking.

Simple to use

> Users customise time-stamped alarms for all parameters, assign them to indicator lights, choose display priorities, and configure time delay thresholds and modes.

> Event logs and tables are continuously-activated. Providing a wealth of information, they enable users to ensure that the installed equipment base operates correctly, to optimize settings, and to maximise energy efficiency.

> Local and remote displays offer easy access to operators and provide the main electrical values: I, U, V, f, energy, power, total harmonic distortion, etc. The user-friendly switchboard display unit with intuitive navigation is more comfortable to read, and offers quick access to information.



Performance, yet unimposing.
Compact NSX perfectly blends into its environment.



Attractively designed.

The front of Compact NSX circuit breakers has an attractive curved profile. Measurements are easy to read on a backlit LCD display. Screen navigation is intuitive and settings are simplified by immediate readouts in amps.

Service continuity

Compact NSX makes discrimination its main advantage in minimising the impact of short circuits, ensuring service continuity for installations.



Total discrimination

Thanks to its 30 years of experience, Schneider Electric, with Compact NSX, offers perfect mastery of discrimination for ever more reliable service continuity. Compact NSX circuit breakers strongly limit fault currents, occurring as the result of short-circuits, which reduces installation downtime and avoids over-dimensioning cables.

When several circuit breakers are used in series, the downstream circuit breaker trips as close as possible to the fault, isolating only the circuit concerned. The upstream circuit breaker is not affected and allows the other circuits to remain operational.


100 %
service continuity



Direct access to maintenance indicators

Service continuity

Adding an SDTAM module allows remote indication of motor overloads and actuation of a contactor, ensuring total service continuity:

- > the SDTAM switches the contactor instead of tripping the circuit breaker,
- > the module allows for machine restart directly from the contactor without having to operate circuit breakers.

Preventive maintenance

Maintenance indicators provide information on the number of operations, level of wear on contacts and total load rates. This makes it far easier to monitor equipment ageing and optimise investments over time. Maintenance is now preventive, avoiding faults.



Schneider Electric expertise

Schneider Electric commits to reducing energy costs and CO₂ emissions for its customers. It offers products, solutions and services that integrate with all levels of the energy value chain. Compact NSX is part and parcel of the Schneider Electric energy efficiency approach.



Solutions for the future

With Compact NSX, Schneider Electric works through flexible solutions for commercial and industrial buildings, Schneider Electric commits to help customers gradually move towards an active approach to their energy efficiency. It helps get more return from investments and future design solutions.

Up to **30 %**
savings in energy costs

4 steps

- > Diagnosis
- > Proposals
- > Implementation
- > Follow-up

Energy performance contracts

An energy performance contract offers innovative service to modernise technical installations.

The objective is dramatically to reduce energy costs, whilst improving comfort and safety, all in an environmentally-responsible way.

Environmentally responsible

Schneider Electric meets the expectations of its markets with products adapted to the practices of the 190 countries where it is present and strongly commits to respect the norms and directives of each of those countries.

- Compact NSX, like all the products in its LV ranges, is a product designed to comply with all European directives for the environment. It has also received international certifications and approval from independent agencies.
- In compliance with ISO 14001 standards, all of its factories are non-polluting.
- Designed for easy disassembly and recycling at end of life, Compact NSX complies with environmental directives RoHS* and WEEE**.

* RoHS = Restriction of Hazardous Substances

** WEEE = Waste Electrical and Electronic Equipment



Presentation	1
Functions and characteristics	A-1
Installation recommendations	B-1
Dimensions and connection	C-1
Wiring diagrams	D-1
Additional characteristics	E-1
Catalogue numbers	F-1
Glossary	G-1

Protection, measurement
and communication...

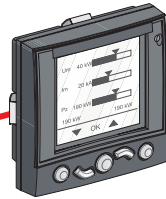
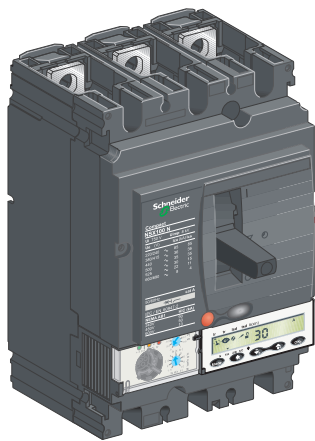


Introduction		
Overview of applications		A-2
General characteristics of the Compact NSX range		A-4
Characteristics and performance of Compact NSX circuit breakers from 100 to 630 A		A-6
Compact NSX trip units		A-8
Overview of trip units for Compact NSX		A-10
Protection of distribution systems		
TM thermal-magnetic and MA magnetic trip units		A-14
Micrologic 2 and 1.3-M trip units		A-16
Micrologic 5 / 6 A or E trip units		A-18
Power Meter functions		
Electronic Micrologic 5 / 6 A or E		A-20
Operating-assistance functions		
Micrologic 5 / 6 A or E trip units		A-22
Switchboard-display functions		
Micrologic 5 / 6 A or E trip units		A-24
Compact NSX communication		
Communications modules		A-26
Networks and software		A-28
RSU and RCU utilities		A-30
Supervision software		A-31
Accessories for Micrologic trip units		A-32
Earth-leakage protection		
Add-on protection against insulation faults using a Vigi module or Vigirex relay		A-34
Motor protection		
General information on motor feeders		A-36
Motor-feeder characteristics and solutions		A-38
Compact NSX motor-feeder solutions		A-39
MA and Micrologic 1.3-M instantaneous trip units		A-40
Micrologic 2-M electronic trip units		A-42
Micrologic 6 E-M electronic trip units		A-44
Special applications		
Protection of public distribution systems with Micrologic 2-AB		A-48
Generator protection with Micrologic 2.2-G		A-50
Protection of industrial control panels		A-52
16 Hz 2/3 network protection		A-53
Micrologic 5 A-Z trip unit		A-53
Protection of 400 Hz systems		A-54
Switch-disconnectors		
Overview of applications		A-56
Switch-disconnector functions		A-57
Characteristics and performance of Compact NSX switch-disconnectors from 100 to 630 NA		A-58
Source-changeover systems		
Presentation		A-60
Manual source-changeover systems		A-61
Remote-operated and automatic source-changeover systems		A-62
Coupling accessory on base plate		A-62
Accessories and auxiliaries		
Overview of Compact NSX100 to 630 fixed version		A-64
Overview of Compact NSX100 to 630 plug-in and withdrawable versions		A-66
Device installation		A-68
Connection of fixed devices		A-70
Connection of withdrawable and plug-in devices		A-72
Insulation of live parts		A-73
Selection of auxiliaries for Compact NSX100/160/250		A-74
Selection of auxiliaries for Compact NSX400/630		A-76
Connection of electrical auxiliaries		A-78
Indication contacts		A-80
SDx and SDTAM modules for Micrologic		A-81
Motor mechanism		A-82
Remote tripping		A-83
Rotary handles		A-84
Additional measurement and indication modules		A-86
Locks		A-88
Sealing accessories		A-89
Individual enclosures		A-90
Escutcheons and protection collars		A-91
<i>Installation recommendations</i>	B-1	
<i>Dimensions and connection</i>	C-1	
<i>Wiring diagrams</i>	D-1	
<i>Additional characteristics</i>	E-1	
<i>Catalogue numbers</i>	F-1	
<i>Glossary</i>	G-1	

Functions

Compact NSX100 to 630 offers high performance and a wide range of interchangeable trip units to protect most applications. Electronic versions provide highly accurate protection with wide setting ranges and can integrate measurement, metering and communication functions. They can be combined with the FDM121 switchboard display unit to provide all the functions of a Power Meter as well as operating assistance.

DE112086



Power Meter ▶ page A-20

Compact NSX equipped with Micrologic 5 / 6 trip units offer type A (ammeter) or E (energy) metering functions as well as communication. Using Micrologic sensors and intelligence, Compact NSX provides access to measurements of all the main electrical parameters on the built-in screen, on a dedicated FDM121 display unit or via the communication system.

Operating assistance ▶ page A-22

Integration of measurement functions provides operators with operating assistance functions including alarms tripped by user-selected measurement values, time-stamped event tables and histories, and maintenance indicators.

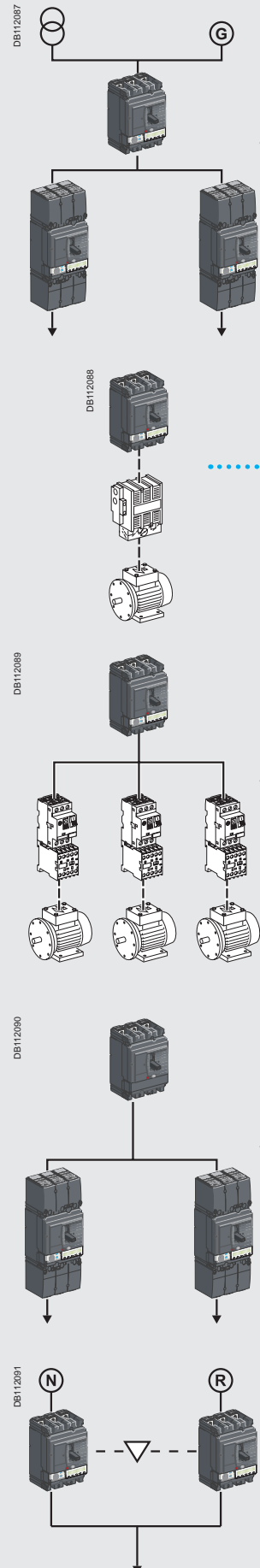
Switchboard display unit ▶ page A-24

The main measurements can be read on the built-in screen of Micrologic 5 / 6 trip units. They can also be displayed on the FDM121 switchboard display unit along with pop-up windows signalling the main alarms.

Communication ▶ page A-26

Compact NSX equipped with Micrologic 5 / 6 trip units provide communication capabilities. Simple RJ45 cords connect to a Modbus interface module.

Applications



Protection of distribution systems (AC 220/690 V)

▶ [page A-14](#)

Compact NSX devices are equipped with MA or TM thermal-magnetic trip units or Micrologic 2 / 5 / 6 electronic trip units to provide protection against short-circuits and overloads for:

- distribution systems supplied by transformers
- distribution systems supplied by engine generator sets
- long cables in IT and TN systems.

They can be easily installed at all levels in distribution systems, from the main LV switchboard to the subdistribution boards and enclosures.

All Compact NSX devices can protect against insulation faults by adding a Vigi module or Vigirex relay.

Protection of motors (AC 220/690 V)

▶ [page A-36](#)

The Compact NSX range includes a number of versions to protect motor applications:

- basic short-circuit protection with MA magnetic trip units or the electronic Micrologic 1-M version, combined with an external relay to provide thermal protection
- protection against overloads, short-circuits and phase unbalance or loss with Micrologic 2-M trip units

■ more complete protection against overloads and short-circuits with additional motor-specific protection (phase unbalance, locked rotor, underload and long start) with Micrologic 6 E-M trip units. These versions also offer communication, metering and operating assistance.

The exceptional limiting capacity of Compact NSX circuit breakers automatically provides type-2 coordination with the motor starter, in compliance with standard IEC 60947-4-1.

Protection of special applications

▶ [page A-48](#)

Special applications:

The Compact NSX range offers a number of versions for special protection applications:

- service connection to public distribution systems ▶ [page A-48](#)
 - generators ▶ [page A-50](#)
 - industrial control panels ▶ [page A-52](#)
- with:

- compliance with international standards IEC 60947-2 and UL 508 / CSA 22-2 N14
- compliance with US standard UL 489
- installation in universal and functional enclosures.
- 16 Hz 2/3 systems ▶ [page A-53](#)
- 400 Hz systems ▶ [page A-54](#)

For all these applications, circuit breakers in the Compact NSX range offer positive contact indication and are suitable for isolation in accordance with standards IEC 60947-1 and 2.

Control and isolation using switch-disconnectors

▶ [page A-56](#)

A switch-disconnector version of Compact NSX circuit breakers is available for circuit control and isolation. All add-on functions of Compact NSX circuit breakers may be combined with the basic switch-disconnector function, including:

- earth-leakage protection
- motor mechanism
- ammeter, etc.

For information on other switch-disconnector ranges, see the Interpact (offering positive contact indication and visible break) and Fupact (fusegear) catalogues.

Source changeover systems

▶ [page A-60](#)

To ensure a continuous supply of power, some electrical installations are connected to two power sources:

- a normal source
- a replacement source to supply the installation when the normal source is not available.

A mechanical and/or electrical interlocking system between two circuit breakers or switch-disconnectors avoids all risk of parallel connection of the sources during switching.

A source-changeover system can be:

- manual with mechanical device interlocking
- remote controlled with mechanical and/or electrical device interlocking
- automatic by adding a controller to manage switching from one source to the other on the basis of external parameters.

Introduction

General characteristics of the Compact NSX range

DB112018

Schneider Electric

Compact NSX250 H

Ui 800 V Uimp 8 kV

Ue (V)	Icu (kA)	Ics
220/240	100	100
380/415	70	70
440	65	65
500	50	50
525	35	35
660/690	10	10

50/60Hz cat A

IEC / EN 60947-2

NEMA AB	IIC (kA)
240V	100
480V	65
600V	35

Standardised characteristics indicated on the rating plate:

- 1 Type of device: frame size and breaking capacity class
- 2 Ui: rated insulation voltage.
- 3 Uimp: rated impulse withstand voltage.
- 4 Ics: service breaking capacity.
- 5 Icu: ultimate breaking capacity for various values of the rated operational voltage Ue
- 6 Ue: operational voltage.
- 7 Colour label indicating the breaking capacity class.
- 8 Circuit breaker-disconnector symbol.
- 9 Reference standard.
- 10 Main standards with which the device complies.

Note: when the circuit breaker is equipped with an extended rotary handle, the door must be opened to access the rating plate.

Compliance with standards

Compact NSX circuit breakers and auxiliaries comply with the following:

- international recommendations:
 - IEC 60947-1: general rules
 - IEC 60947-2: circuit breakers
 - IEC 60947-3: switch-disconnectors
 - IEC 60947-4: contactors and motor starters
 - IEC 60947-5.1 and following: control circuit devices and switching elements; automatic control components
 - European (EN 60947-1 and EN 60947-2) and corresponding national standards:
 - France NF
 - Germany VDE
 - United Kingdom BS
 - Australia AS
 - Italy CEI
 - the specifications of the marine classification companies (Veritas, Lloyd's Register of Shipping, Det Norske Veritas, etc.), standard NF C 79-130 and recommendations issued by the CNOMO organisation for the protection of machine tools.
- For U.S. UL, Canadian CSA, Mexican NOM and Japanese JIS standards, please consult us.

Pollution degree

Compact NSX circuit breakers are certified for operation in pollution-degree III environments as defined by IEC standards 60947-1 and 60664-1 (industrial environments).

Climatic withstand

Compact NSX circuit breakers have successfully passed the tests defined by the following standards for extreme atmospheric conditions:

- IEC 60068-2-1: dry cold (-55 °C)
- IEC 60068-2-2: dry heat (+85 °C)
- IEC 60068-2-30: damp heat (95 % relative humidity at 55 °C)
- IEC 60068-2-52 severity level 2: salt mist.

Environment

Compact NSX respects the European environment directive EC/2002/95 concerning the restriction of hazardous substances (RoHS).

Product environment profiles (PEP) have been prepared, describing the environmental impact of every product throughout its life cycle, from production to the end of its service life.

All Compact NSX production sites have set up an environmental management system certified ISO 14001.

Each factory monitors the impact of its production processes. Every effort is made to prevent pollution and to reduce consumption of natural resources.

Ambient temperature

- Compact NSX circuit breakers may be used between -25 °C and +70 °C. For temperatures higher than 40°C (65°C for circuit breakers used to protect motor feeders), devices must be derated ([pages B-8 and B-9](#)).
- Circuit breakers should be put into service under normal ambient, operating-temperature conditions. Exceptionally, the circuit breaker may be put into service when the ambient temperature is between -35 °C and -25 °C.
- The permissible storage-temperature range for Compact NSX circuit breakers in the original packing is -50 °C ⁽¹⁾ and +85 °C.

(1) -40 °C for Micrologic control units with an LCD screen.

Electromagnetic compatibility

Compact NSX devices are protected against:

- overvoltages caused by circuit switching (e.g. lighting circuits)
- overvoltages caused by atmospheric disturbances
- devices emitting radio waves such as mobile telephones, radios, walkie-talkies, radar, etc.
- electrostatic discharges produced by users.

Immunity levels for Compact NSX comply with the standards below.

- IEC/EN 60947-2: Low-voltage switchgear and controlgear, part 2: Circuit breakers:
 - Annex F: Immunity tests for circuit breakers with electronic protection
 - Annex B: Immunity tests for residual current protection
- IEC/EN 61000-4-2: Electrostatic-discharge immunity tests
- IEC/EN 61000-4-3: Radiated, radio-frequency, electromagnetic-field immunity tests
- IEC/EN 61000-4-4: Electrical fast transient/burst immunity tests
- IEC/EN 61000-4-5: Surge immunity tests
- IEC/EN 61000-4-6: Immunity tests for conducted disturbances induced by radio-frequency fields
- CISPR 11: Limits and methods of measurement of electromagnetic disturbance characteristics of industrial, scientific and medical (ISM) radio-frequency equipment.

Discrimination

Compact NSX reinforces the discrimination capabilities of the Compact NS range by applying the rapid calculation capacity of the Micrologic trip units.

Total discrimination is now possible between NSX100 and modular Multi 9 circuit breakers rated ≤ 63 A (see page A-8).

Suitable for isolation with positive contact indication

All Compact NSX circuit breakers are suitable for isolation as defined in IEC standard 60947-2:

- The isolation position corresponds to the O (OFF) position.
- The operating handle cannot indicate the OFF position unless the contacts are effectively open.
- Padlocks may not be installed unless the contacts are open.

Installation of a rotary handle or a motor mechanism does not alter the reliability of the position-indication system.

The isolation function is certified by tests guaranteeing:

- the mechanical reliability of the position-indication system
- the absence of leakage currents
- overvoltage withstand capacity between upstream and downstream connections.

The tripped position does not insure isolation with positive contact indication.

Only the OFF position guarantees isolation.

Installation in class II switchboards

All Compact NSX circuit breakers are class II front face devices. They may be installed through the door of class II switchboards (as per IEC standards 61140 and 60664-1) without downgrading switchboard insulation. Installation requires no special operations, even when the circuit breaker is equipped with a rotary handle or a motor mechanism.

Degree of protection

The following indications are in accordance with standards IEC 60529 (IP degree of protection) and IEC 62262 (IK protection against external mechanical impacts).

Bare circuit breaker with terminal shields

- With toggle: IP40, IK07.
- With standard direct rotary handle / VDE: IP40 IK07

Circuit breaker installed in a switchboard

- With toggle: IP40, IK07.
- With direct rotary handle:
 - standard / VDE: IP40, IK07
 - MCC: IP43 IK07
 - CNOMO: IP54 IK08
- With extended rotary handle: IP56 IK08
- With motor mechanism: IP40 IK07.



PB103578-53

DB112033



Introduction

Characteristics and performance of Compact NSX circuit breakers from 100 to 630 A

PB103854-40



Compact NSX100/160/250.

PB103279-44



Compact NSX400/630.

Common characteristics

Rated voltages			
Insulation voltage (V)	Ui		800
Impulse withstand voltage (kV)	Uimp		8
Operational voltage (V)	Ue	AC 50/60 Hz	690
Suitability for isolation		IEC/EN 60947-2	yes
Utilisation category			A
Pollution degree		IEC 60664-1	3

Circuit breakers

Breaking capacity levels

Electrical characteristics as per IEC 60947-2

Rated current (A)	In	40 °C	
Number of poles			
Breaking capacity (kA rms)			
	Icu	AC 50/60 Hz	220/240 V 380/415 V 440 V 500 V 525 V 660/690 V
Service breaking capacity (kA rms)			
	Ics	AC 50/60 Hz	220/240 V 380/415 V 440 V 500 V 525 V 660/690 V

Durability (C-O cycles)	Mechanical		
		Electrical	440 V
		690 V	In/2 In

Characteristics as per Nema AB1

Breaking capacity (kA rms)	AC 50/60 Hz	240 V 480 V 600 V
----------------------------	-------------	-------------------------

Characteristics as per UL 508

Breaking capacity (kA rms)	AC 50/60 Hz	240 V 480 V 600 V
----------------------------	-------------	-------------------------

Protection and measurements

Short-circuit protection	Magnetic only
Overload / short-circuit protection	Thermal magnetic
	Electronic
	with neutral protection (Off-0.5-1-OSN) ⁽¹⁾
	with ground-fault protection
	with zone selective interlocking (ZSI) ⁽²⁾
Display / I, U, f, P, E, THD measurements / interrupted-current measurement	
Options	Power Meter display on door
	Operating assistance
	Counters
	Histories and alarms
	Metering Com
	Device status/control Com
Earth-leakage protection	By Vigi module
	By Vigirex relay

Installation / connections

Dimensions and weights

Dimensions (mm)	Fixed, front connections	2/3P 4P
	W x H x D	
Weight (kg)	Fixed, front connections	2/3P 4P

Connections

Connection terminals	Pitch	With/without spreaders
Large Cu or Al cables	Cross-section	mm ²

⁽¹⁾ OSN: Over Sized Neutral protection for neutrals carrying high currents (e.g. 3rd harmonics).

⁽²⁾ ZSI: Zone Selective Interlocking using pilot wires.

⁽³⁾ 2P circuit breaker in 3P case for B and F types, only with thermal-magnetic trip unit.

Common characteristics

Control				
Manual	With toggle		■	
	With direct or extended rotary handle		■	
Electrical	With remote control		■	
	Versions			
Fixed		■		
Withdrawable	Plug-in base		■	
	Chassis		■	

NSX100						NSX160						NSX250						NSX400						NSX630					
B	F	N	H	S	L	B	F	N	H	S	L	B	F	N	H	S	L	F	N	H	S	L	F	N	H	S	L		
100						160						250						400						630					
2 ⁽³⁾ , 3, 4						2 ⁽³⁾ , 3, 4						2 ⁽³⁾ , 3, 4						3, 4						3, 4					
40	85	90	100	120	150	40	85	90	100	120	150	40	85	90	100	120	150	40	85	100	120	150	40	85	100	120	150		
25	36	50	70	100	150	25	36	50	70	100	150	25	36	50	70	100	150	36	50	70	100	150	36	50	70	100	150		
20	35	50	65	90	130	20	35	50	65	90	130	20	35	50	65	90	130	30	42	65	90	130	30	42	65	90	130		
15	25	36	50	65	70	15	30	36	50	65	70	15	30	36	50	65	70	25	30	50	65	70	25	30	50	65	70		
-	22	35	35	40	50	-	22	35	35	40	50	-	22	35	35	40	50	20	22	35	40	50	20	22	35	40	50		
-	8	10	10	15	20	-	8	10	10	15	20	-	8	10	10	15	20	10	10	20	25	35	10	10	20	25	35		
40	85	90	100	120	150	40	85	90	100	120	150	40	85	90	100	120	150	40	85	100	120	150	40	85	100	120	150		
25	36	50	70	100	150	25	36	50	70	100	150	25	36	50	70	100	150	36	50	70	100	150	36	50	70	100	150		
20	35	50	65	90	130	20	35	50	65	90	130	20	35	50	65	90	130	30	42	65	90	130	30	42	65	90	130		
7.5	12.5	36	50	65	70	15	30	36	50	65	70	15	30	36	50	65	70	25	30	50	65	70	25	30	50	65	70		
-	11	35	35	40	50	-	22	35	35	40	50	-	22	35	35	40	50	10	11	11	12	12	10	11	11	12	12		
-	4	10	10	15	20	-	8	10	10	15	20	-	8	10	10	15	20	10	10	10	12	12	10	10	10	12	12		
50000						40000						20000						15000						15000					
50000						20000						20000						12000						8000					
30000						10000						10000						6000						4000					
20000						15000						10000						6000						6000					
10000						7500						5000						3000						2000					
40	85	90	100	120	150	40	85	90	100	120	150	40	85	90	100	120	150	40	85	100	120	150	40	85	100	120	150		
20	35	50	65	90	130	20	35	50	65	90	130	20	35	50	65	90	130	30	42	65	90	130	30	42	65	90	130		
-	8	20	35	40	50	-	20	20	35	40	50	-	20	20	35	40	50	-	20	35	40	50	-	20	35	40	50		
-	85	85	85	-	-	-	85	85	85	-	-	-	85	85	85	-	-	85	85	85	-	-	85	85	85	-	-		
-	25	50	65	-	-	-	35	50	65	-	-	-	35	50	65	-	-	35	50	65	-	-	35	50	65	-	-		
-	10	10	10	-	-	-	10	10	10	-	-	-	15	15	15	-	-	20	20	20	-	-	20	20	20	-	-		
■						■						■						■						■					
■						■						■						-						-					
■						■						■						■						■					
■						■						■						■						■					
■						■						■						■						■					
■						■						■						■						■					
■						■						■						■						■					
■						■						■						■						■					
■						■						■						■						■					
■						■						■						■						■					
■						■						■						■						■					
■						■						■						■						■					
■						■						■						■						■					
■						■						■						■						■					
105 x 161 x 86						105 x 161 x 86						105 x 161 x 86						140 x 255 x 110						140 x 255 x 110					
140 x 161 x 86						140 x 161 x 86						140 x 161 x 86						185 x 255 x 110						185 x 255 x 110					
2.05						2.2						2.4						6.05						6.2					
2.4						2.6						2.8						7.90						8.13					
35/45 mm						35/45 mm						35/45 mm						45/52.5 mm 45/70 mm						45/52.5 mm 45/70 mm					
300						300						300						4 x 240						4 x 240					

With Micrologic electronic trip units, Compact NSX stands out from the crowd. Thanks to the new generation of sensors and its processing capability, protection is enhanced even further. It also provides measurements and operating information.

Thermal-magnetic or electronic trip unit?

Thermal-magnetic trip units protect against overcurrents and short-circuits using tried and true techniques. But today, installation optimisation and energy efficiency have become decisive factors and electronic trip units offering more advanced protection functions combined with measurements are better suited to these needs. **Micrologic electronic trip units** combine reflex tripping and intelligent operation. Thanks to digital electronics, trip units have become faster as well as more accurate and reliable. Wide setting ranges make installation upgrades easier. Designed with processing capabilities, Micrologic trip units can provide measurement information and device operating assistance. With this information, users can avoid or deal more effectively with disturbances and can play a more active role in system operation. They can manage the installation, anticipate on events and plan any necessary servicing.

Accurate measurements for complete protection

Compact NSX devices take advantage of the vast experience acquired since the launch of Masterpact NW circuit breakers equipped with Micrologic trip units. From 40 amperes on up to the short-circuit currents, they offer excellent measurement accuracy. This is made possible by a new generation of current transformers combining "iron-core" sensors for self-powered electronics and "air-core" sensors (Rogowski toroids) for measurements. The protection functions are managed by an ASIC component that is independent of the measurement functions. This independence ensures immunity to conducted and radiated disturbances and a high level of reliability.

Numerous security functions

Torque-limiting screws

The screws secure the trip unit to the circuit breaker. When the correct tightening torque is reached, the screw heads break off. Optimum tightening avoids any risk of temperature rise. A torque wrench is no longer required.

Easy and sure changing of trip units

All trip units are interchangeable, without wiring. A mechanical mismatch-protection system makes it impossible to mount a trip unit on a circuit breaker with a lower rating.

"Ready" LED for a continuous self-test

The LED on the front of the electronic trip units indicates the result of the self-test runs continuously on the measurement system and the tripping release. As long as the green LED is flashing, the links between the CTs, the processing electronics and the Mitop release are operational. The circuit breaker is ready to protect. No need for a test kit. A minimum current of 15 to 50 A, depending on the device, is required for this indication function.

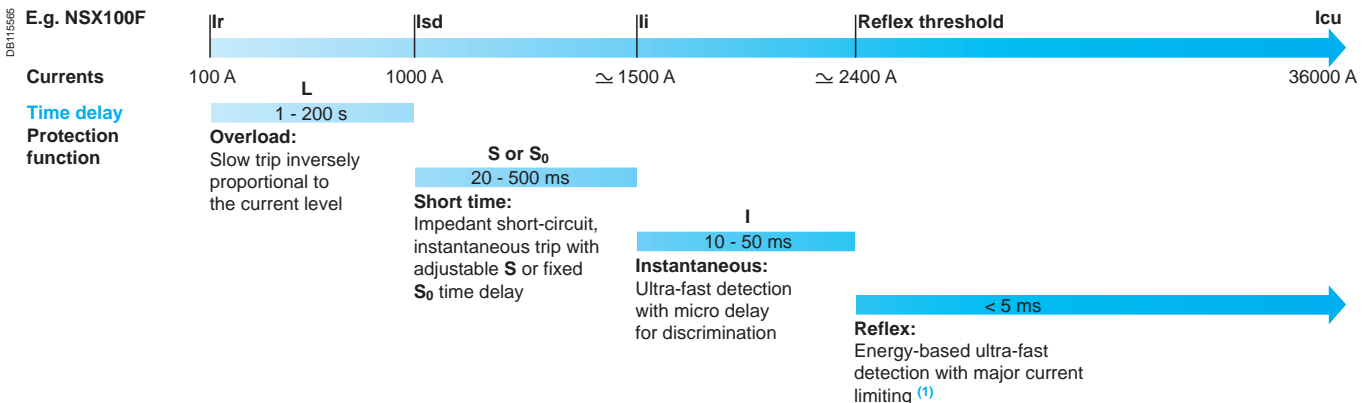
A patented dual adjustment system for protection functions.

Available on Micrologic 5 / 6, the system consists of:

- an adjustment using dials sets the maximum value
- an adjustment, made via the keypad or remotely, fine-tunes the setting. This setting may not exceed the first one. It can be read directly on the Micrologic screen, to within one ampere and a fraction of a second.

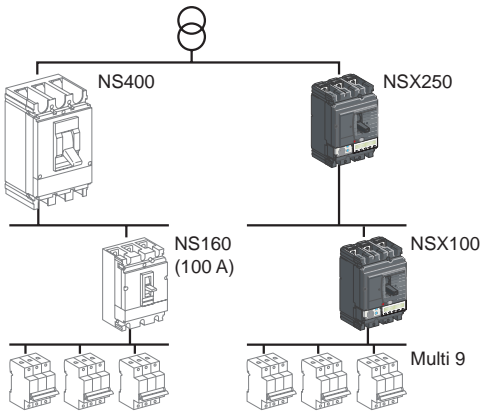
Coordinated tripping systems

Compact NSX detects faults even faster and its tripping time is reduced. It protects the installation better and limits contact wear.



⁽¹⁾ This tripping system is completely independent of the trip unit. Because it directly actuates the mechanism, it precedes the trip unit by a few milliseconds.

DB111354



Compact NSX100 with Micrologic for total discrimination with Multi 9 devices rated ≤ 40 A or a C60. Better coordination between protection functions reduces the difference in ratings required for total discrimination.

Unmatched discrimination

Discrimination

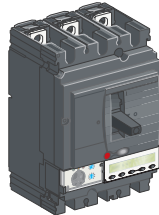
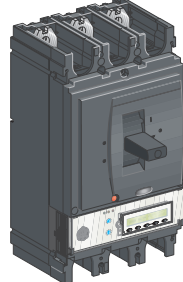


Compact NSX provides maximum continuity of service and savings through an unmatched level of discrimination:

- given the high accuracy of measurements, overload discrimination is ensured even between very close ratings
- for major faults, the fast processing of the Micrologic trip units means the upstream device can anticipate the reaction of the downstream device. The upstream breaker adjusts its tripping delay to provide discrimination
- for very high faults, the energy of the arc dissipated by the short-circuit in the downstream breaker causes reflex tripping. The current seen by the upstream device is significantly limited. The energy is not sufficient to cause tripping, so discrimination is maintained whatever the short-circuit current.

For total discrimination over the entire range of possible faults, from the long-time pick-up I_r to the ultimate short-circuit current I_{cu} , a ratio of 2.5 must be maintained between the ratings of the upstream and downstream devices.

This ratio is required to ensure selective reflex tripping for high short-circuits.

Understanding the names of Micrologic electronic trip units

Protection	Frame	Measurements	Applications
1: I 2: LS ₀ I 5: LSI 6: LSIG I: Instantaneous L: Long time S ₀ : Short time ⁽¹⁾ (fixed delay) S: Short time G: Ground fault	2: NSX100/160/250  3: NSX400/630 	A: Ammeter  E: Energy 	Distribution, otherwise G: Generator AB: Public distribution M: Motors Z: 16 Hz 2/3

Examples

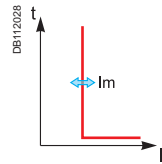
Micrologic 1.3	Instantaneous only	400 or 630 A		Distribution
Micrologic 2.3	LS ₀ I	400 or 630 A		Distribution
Micrologic 5.2 A	LSI	100, 160 or 250 A	Ammeter	Distribution
Micrologic 6.3 E-M	LSIG	400 or 630 A	Energy	Motor

⁽¹⁾ LS₀I protection is standard on Micrologic 2. To ensure discrimination, it offers short-time protection S₀ with a non-adjustable delay and instantaneous protection.

Compact NSX offers a range of trip units in interchangeable cases, whether they are magnetic, thermal-magnetic or electronic. Versions 5 and 6 of the electronic trip unit offer communication and metering. Using Micrologic sensors and intelligence, Compact NSX supplies all the information required to manage the electrical installation and optimise energy use.

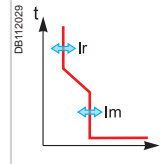
Type of protection and applications

MA magnetic



■ Distribution and motors

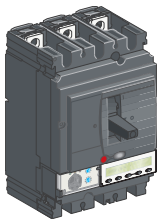
TM-D thermal-magnetic



■ Distribution
■ Generators

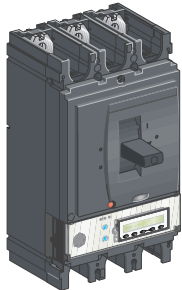
Compact NSX100/160/250

DB112094

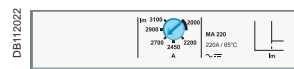


Compact NSX400/630

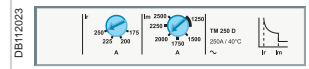
DB112120



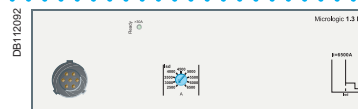
Circuit breakers and trip units



MA Distribution and motors

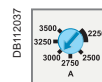


TM-D Distribution
TM-G Generators

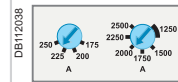


1.3-M Distribution and motors

Settings and indications

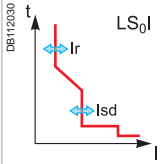


Adjustment and reading
Pick-up set in amps using dials
Non-adjustable time delay



Adjustment and reading
Pick-up set in amps using dials
Non-adjustable time delay

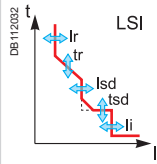
Micrologic 2 electronic



- Distribution
- Service connection (public distribution)
- Generators
- Motors (I only)
- Motors

Micrologic 5 / 6 A or E electronic trip units

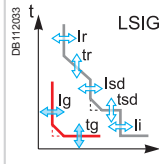
5 A or E



- Distribution and generators

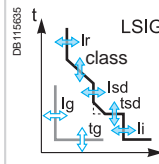
A: current metering functions
E: current and energy metering functions.

6 A or E



- Distribution and generators

6 E-M



- Motors



- 2.2 Distribution
2.2-AB Service connection (public distribution)
2.2-G Generators
2.2-M Motors

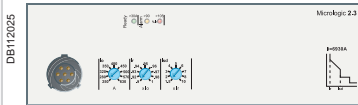


- 5.2 A Distribution and generators
5.2 E Distribution and generators
5.2 A-Z 16 Hz 2/3 networks

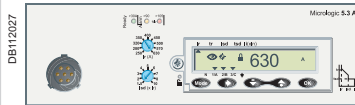
- 6.2 A Distribution and generators
6.2 E Distribution and generators



- 6.2 E-M Motors



- 2.3 Distribution
2.3-AB Service connection (public distribution)
1.3-M Motors (I only)
2.3-M Motors

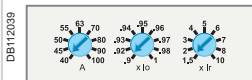


- 5.3 A Distribution and generators
5.3 E Distribution and generators
5.3 A-Z 16 Hz 2/3 networks

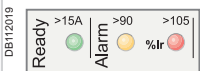
- 6.3 A Distribution and generators
6.3 E Distribution and generators



- 6.3 E-M Motors



Adjustment and reading
Pick-up set in amps with fine adjustment using dials
Non-adjustable time delay

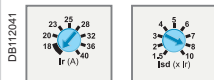


Front indications



Test connector

Self test



Adjustment and reading
Pick-up set in amps



Fine adjustment via keypad



Adjustable time delays



Front indications

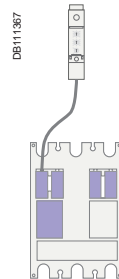


Test connector

Self test



Connection to switchboard display unit

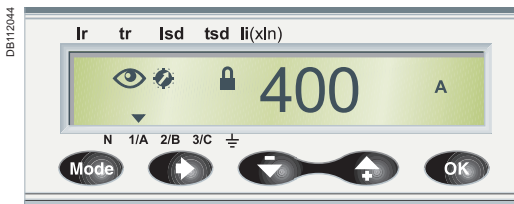


Communication to Modbus

The capabilities of Micrologic 5 / 6 A and E trip units come into full play with the FDM121 switchboard display unit.

When the two are connected via a simple cord with RJ45 connectors, the combination offers full Power Meter capabilities and all the measurements required to monitor the electrical installation.

DB112526



Ammeter Micrologic (A)

I measurements

Current measurements

- Phase and neutral currents I1, I2, I3, IN
- Average current of the 3 phases Iavg
- Highest current of the three phases I_{max}
- Ground-fault current I_g (Micrologic 6.2 / 6.3 A)
- Maximeter/minimeter for I measurements

Operating and maintenance assistance

Indications, alarms and histories

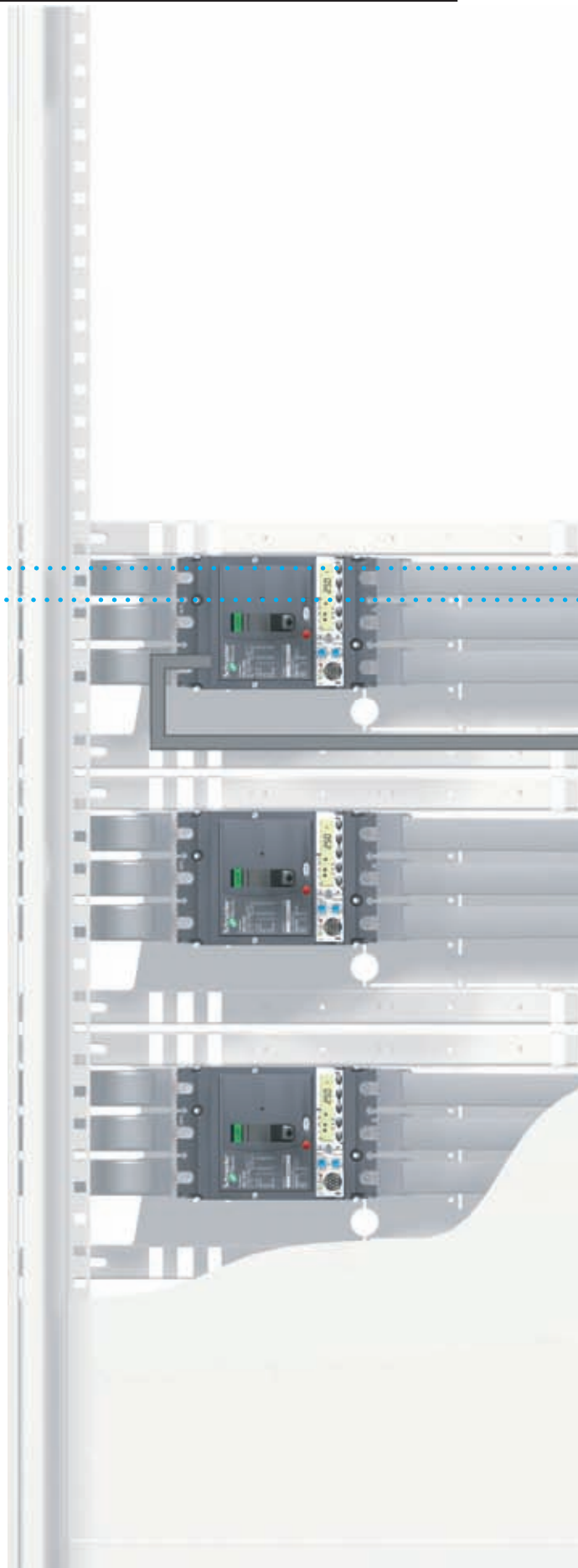
- Indication of fault types
- Alarms for high/low alarm thresholds linked to I measurements
- Trip, alarm and operating histories
- Time-stamped tables for settings and maximeters

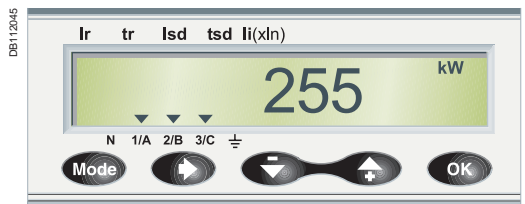
Maintenance indicators

- Operation, trip and alarm counters
- Operating hours counter
- Contact wear
- Load profile and thermal image

Communication

- Modbus with add-on module





Energy Micrologic (E)

I, U, f, P, E, THD measurements

Current measurements

- Phase and neutral currents I1, I2, I3, IN
- Average current of the 3 phases Iavg
- Highest current of the three phases I_{max}
- Ground-fault current I_g (Micrologic 6.2 / 6.3 A)
- Maximeter/minimeter for I measurements
- Current unbalance between phases

Voltage measurements

- Phase-to-phase (U) et phase-to-neutral (V) voltages
- Average voltages U_{avg}, V_{avg}
- Ph-Ph (U) and Ph-N (V) voltage unbalance

Frequency measurements

- Frequency (f)

Power-quality indicators

- Total harmonic distortion (THD) for current and voltage

Power measurements

- Active, reactive and apparent power, total and per phase
- Power factor and $\cos \varphi$

Maximeters/minimeters

- For all I, U, f, P, E measurements

Demand current and power measurements

- Demand values, total and per phase
- Maximum demand

Energy metering

- Active, reactive and apparent energy, total and per phase

Operating and maintenance assistance

Indications, alarms and histories

- Indication of fault types
- Alarms for high/low thresholds linked to I, U, f, P, E measurements
- Trip, alarm and operating histories
- Time-stamped tables for settings and I, U, f, P, E maximeters

Maintenance indicators

- Operation, trip and alarm counters
- Operating hours counter
- Contact wear
- Load profile and thermal image

Communication

- Modbus with add-on module

Protection of distribution systems

TM thermal-magnetic and MA magnetic trip units

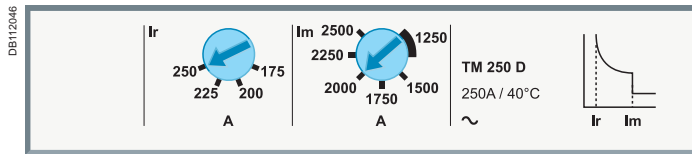
TM thermal-magnetic and MA magnetic trip units can be used on Compact NSX100/160/250 circuit breakers with performance levels B/F/H/N/S/L.

TM trip units are available in 2 versions:

- TM-D, for the protection of distribution cables
- TM-G, with a low threshold, for the protection of generators or long cable lengths.

Vigi modules or Vigirex relays can be added to all the circuit breakers to provide external earth-leakage protection.

TM-D and TM-G thermal-magnetic trip units



Circuit breakers equipped with thermal-magnetic trip units are used mainly in industrial and commercial electrical distribution applications:

- TM-D, for protection of cables on distribution systems supplied by transformers
- TM-G, with a low pick-up for generators (lower short-circuit currents than with transformers) and distribution systems with long cable lengths (fault currents limited by the impedance of the cable).

Protection.....



Thermal protection (Ir)

Thermal overload protection based on a bimetal strip providing an inverse time curve I^2t , corresponding to a temperature rise limit. Above this limit, the deformation of the strip trips the circuit breaker operating mechanism.

This protection operates according to:

- Ir that can be adjusted in amps from 0.7 to 1 times the rating of the trip unit (16 A to 250 A), corresponding to settings from 11 to 250 A for the range of trip units
- a non-adjustable time delay, defined to ensure protection of the cables.

Magnetic protection (Im)

Short-circuit protection with a fixed or adjustable pick-up Im that initiates instantaneous tripping if exceeded.

- TM-D: fixed pick-up, Im, for 16 to 160 A ratings and adjustable from 5 to 10 x In for 200 and 250 A ratings
- fixed pick-up for 16 to 63 A ratings.

Protection against insulation faults

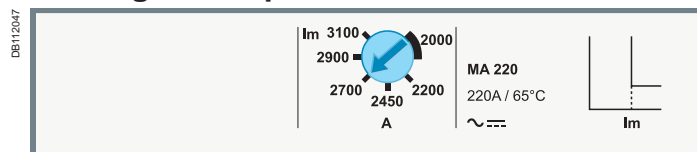
Two solutions are possible by adding:

- a Vigi module acting directly on the trip unit of the circuit breaker
- a Vigirex relay connected to an MN or MX voltage release.

Protection versions

- 3-pole:
 - 3P 3D: 3-pole frame (3P) with detection on all 3 poles (3D)
 - 3P 2D: 3-pole frame (3P) with detection on 2 poles (2D).
- 4-pole:
 - 4P 3D: 4-pole frame (4P) with detection on 3 poles (3D).
 - 4P 4D: 4-pole frame (4P) with detection on all 4 poles (same threshold for phases and neutral).

MA magnetic trip units



In distribution applications, circuit breakers equipped with MA magnetic-only trip units are used for:

- short-circuit protection of secondary windings of LV/LV transformers with overload protection on the primary side.
- as an alternative to a switch-disconnector at the head of a switchboard in order to provide short-circuit protection.

Their main use is however for motor protection applications, in conjunction with a thermal relay and a contactor or motor starter (see "Motor protection", page A-36).

Protection.....



Magnetic protection (Im)

Short-circuit protection with an adjustable pick-up Im that initiates instantaneous tripping if exceeded.

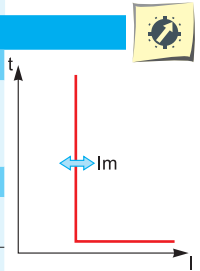
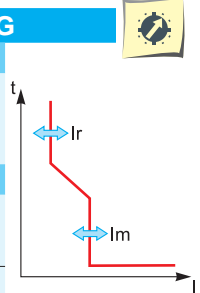
- $I_m = I_n \times \dots$ set in amps on an adjustment dial covering the range 6 to 14 x In for 2.5 to 100 A ratings or 9 to 14 In for 150 to 220 A ratings.

Protection versions

- 3-pole (3P 3D): 3-pole frame (3P) with detection on all 3 poles (3D).
- 4-pole (4P 3D): 4-pole frame (4P) with detection on 3 poles (3D).

Note: All the trip units have a transparent lead-sealable cover that protects access to the adjustment dials.

Thermal-magnetic trip units		TM16D to 250D										TM16G to 63G							
Ratings (A)	In at 40 °C ⁽¹⁾	16	25	32	40	50	63	80	100	125	160	200	250	16	25	40	63		
Circuit breaker	Compact NSX100	■	■	■	■	■	■	■	■	-	-	-	-	■	■	■	■		
	Compact NSX160	-	-	■	■	■	■	■	■	■	■	-	-	-	■	■	■		
	Compact NSX250	-	-	-	-	-	■	■	■	■	■	■	■	-	-	■	■		
Thermal protection																			
Pick-up (A) tripping between 1.05 and 1.20 I _r	I _r = I _n x ...	adjustable in amps from 0.7 to 1 x I _n																	
Time delay (s)	t _r	non-adjustable											non-adjustable						
	t _r at 1.5 x I _n	120 to 400											120 to 400						
	t _r at 6 x I _r	15											-						
Magnetic protection																			
Pick-up (A)	I _m	fixed										adjustable		fixed					
accuracy ±20 %	Compact NSX100	190	300	400	500	500	500	640	800			5 to 10xI _n		63	80	80	125		
	Compact NSX160/250	190	300	400	500	500	500	640	800	1250	1250			63	80	80	125		
Time delay	t _m	fixed																	
Neutral protection																			
Unprotected neutral	4P 3D	no detection											no 4P3D version						
Fully protected neutral	4P 4D	1 x I _r											1 x I _r						
Magnetic trip units		MA 2.5 to 220																	
Ratings (A)	In at 65 °C	2.5	6.3	12.5	25	50	100	150	220										
Circuit breaker	Compact NSX100	■	■	■	■	■	■	-	-										
	Compact NSX160	-	-	-	■	■	■	■	-										
	Compact NSX250	-	-	-	-	-	-	■	■	■									
Instantaneous magnetic protection																			
Pick-up (A) accuracy ±20 %	I _m = I _n x ...	adjustable in amps from 6 to 14 x I _n (9 settings)										adjustable in amps from 9 to 14 x I _n							
Time delay (ms)	t _m	none																	



(1) For temperatures greater than 40°C, the thermal protection characteristics are modified. See the temperature derating table.

Protection of distribution systems

Micrologic 2 and 1.3-M trip units

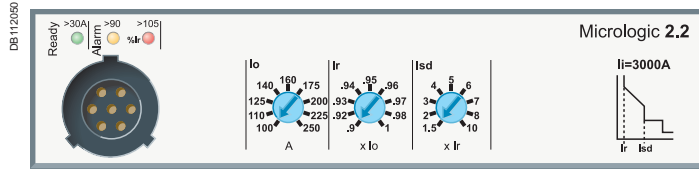
Micrologic 2 trip units can be used on Compact NSX100 to 630 circuit breakers with performance levels B/F/H/N/S/L.

They provide:

- standard protection of distribution cables
- indication of:
 - overloads (via LEDs)
 - overload tripping (via the SDx relay module).

Circuit breakers equipped with Micrologic 1.3-M trip units, without thermal protection, are used in certain applications to replace switch-disconnectors at the head of switchboards. Micrologic 1.3-M trip units are dedicated to Compact NSX400/630 A circuit breakers.

Micrologic 2



Circuit breakers equipped with Micrologic 2 trip units can be used to protect distribution systems supplied by transformers. For generators and long cables, Micrologic 2-G trip units offer better suited low pick-up solutions (see page A-50).

Protection

Settings are made using the adjustment dials with fine adjustment possibilities.

Overloads: Long time protection (Ir)

Inverse time protection against overloads with an adjustable current pick-up Ir set using a dial and a non-adjustable time delay tr.

Short-circuits: Short-time protection with fixed time delay (Isd)

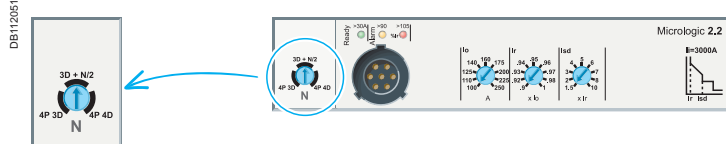
Protection with an adjustable pick-up Isd. Tripping takes place after a very short delay used to allow discrimination with the downstream device.

Short-circuits: Non-adjustable instantaneous protection

Instantaneous short-circuit protection with a fixed pick-up.

Neutral protection

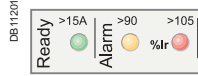
- On 3-pole circuit breakers, neutral protection is not possible.
- On four-pole circuit breakers, neutral protection may be set using a three-position switch:
 - 4P 3D: neutral unprotected
 - 4P 3D + N/2: neutral protection at half the value of the phase pick-up, i.e. 0.5 x Ir
 - 4P 4D: neutral fully protected at Ir.



Indications

Front indications

- Green "Ready" LED: flashes slowly when the circuit breaker is ready to trip in the event of a fault.
- Orange overload pre-alarm LED: steady on when $I > 90\% I_r$
- Red overload LED: steady on when $I > 105\% I_r$

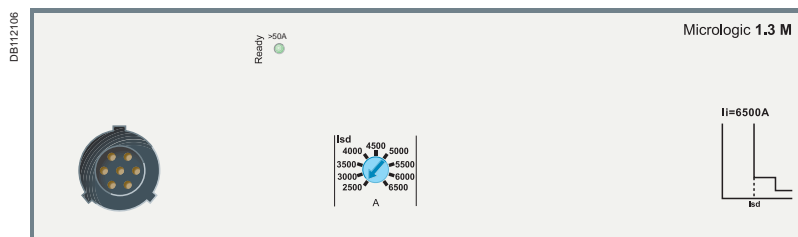


Remote indications

An overload trip signal can be remoted by installing an SDx relay module inside the circuit breaker.

This module receives the signal from the Micrologic electronic trip unit via an optical link and makes it available on the terminal block. The signal is cleared when the circuit breaker is reclosed. For description, see page A-81.

Micrologic 1.3-M for magnetic protection only



Micrologic 1.3-M trip units provide magnetic protection only, using electronic technology. They are dedicated to 400/630 A 3-pole (3P 3D) circuit breakers or 4-pole circuit breakers with detection on 3 poles (4P, 3D) and are used in certain applications to replace switch-disconnectors at the head of switchboards. They are especially used in 3-pole versions for motor protection, see page A-40.

PB103377

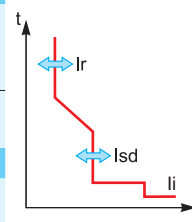


SDx remote indication relay module with its terminal block.

Note: all the trip units have a transparent lead-sealable cover that protects access to the adjustment dials.

Micrologic 2

Ratings (A)	In at 40 °C (1)	40	100	160	250	400	630
Circuit breaker	Compact NSX100	■	■	-	-	-	-
	Compact NSX160	■	■	■	-	-	-
	Compact NSX250	■	■	■	■	-	-
	Compact NSX400	-	-	-	■	■	-
	Compact NSX630	-	-	-	■	■	■



L Long-time protection

Pick-up (A)	lo	value depending on trip unit rating (In) and setting on dial									
tripping between 1.05 and 1.20 Ir	In = 40 A	lo =	18	18	20	23	25	28	32	36	40
	In = 100 A	lo =	40	45	50	55	63	70	80	90	100
	In = 160 A	lo =	63	70	80	90	100	110	125	150	160
	In = 250 A (NSX250)	lo =	100	110	125	140	160	175	200	225	250
	In = 250 A (NSX400)	lo =	70	100	125	140	160	175	200	225	250
	In = 400 A	lo =	160	180	200	230	250	280	320	360	400
	In = 630 A	lo =	250	280	320	350	400	450	500	570	630
	Ir = lo x ...		9 fine adjustment settings from 0.9 to 1 (0.9 - 0.92 - 0.93 - 0.94 - 0.95 - 0.96 - 0.97 - 0.98 - 1) for each value of lo								
Time delay (s) accuracy 0 to -20%	tr		non-adjustable								
		1.5 x Ir	400								
		6 x Ir	16								
		7.2 x Ir	11								
Thermal memory		20 minutes before and after tripping									

S₀ Short-time protection with fixed time delay

Pick-up (A) accuracy ±10 %	I _{sd} = Ir x ...	1.5	2	3	4	5	6	7	8	10
Time delay (ms)	t _{sd}	non-adjustable								
	Non-tripping time	20								
	Maximum break time	80								

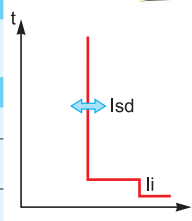
I Instantaneous protection

Pick-up (A) accuracy ±15 %	I _{li} non-adjustable	600	1500	2400	3000	4800	6900
	Non-tripping time	10 ms					
	Maximum break time	50 ms for I > 1.5 I _{li}					

(1) If the trip units are used in high-temperature environments, the Micrologic setting must take into account the thermal limitations of the circuit breaker. See the temperature derating table.

Micrologic 1.3-M

Ratings (A)	In at 65 °C	320	500
Circuit breaker	Compact NSX400	■	-
	Compact NSX630	■	■



S Short time protection

Pick-up (A) accuracy ±15 %	I _{sd}	adjustable directly in amps	
		9 settings: 1600, 1920, 2440, 2560, 2880, 3200, 3520, 3840, 4160 A	9 settings: 2500, 3000, 3500, 4000, 4500, 5000, 5500, 6000, 6500 A
Time delay (ms)	t _{sd}	non-adjustable	
	Non-tripping time	20	
	Maximum break time	60	

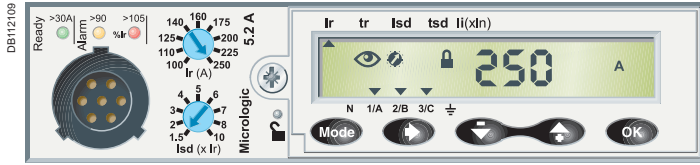
I Instantaneous protection

Pick-up (A) accuracy ±15 %	I _{li} non-adjustable	4800	6500
	Non-tripping time	0	
	Maximum break time	30 ms	

Protection of distribution systems

Micrologic 5 / 6 A or E trip units

Micrologic 5 / 6 A (Ammeter) or E (Energy) trip units can be used on Compact NSX100 to 630 circuit breakers with performance levels B/F/H/N/S/L. They all have a display unit. They offer basic LSI protection (Micrologic 5) or LSI and ground-fault protection G (Micrologic 6). They also offer measurement, alarm and communication functions.



Protection

Settings can be adjusted in two ways, using the dials and/or the keypad. The keypad can be used to make fine adjustments in 1 A steps below the maximum value defined by the setting on the dial. Access to setting modifications via the keypad is protected by a locking function displayed on the screen and controlled by a microswitch. The lock is activated automatically if the keypad is not used for 5 minutes. Access to the microswitch is protected by a transparent lead-sealable cover. With the cover closed, it is still possible to display the various settings and measurements using the keypad.

Overloads: Long time protection (Ir)

Inverse time protection against overloads with an adjustable current pick-up **Ir** set using a dial or the keypad for fine adjustments. The time delay **tr** is set using the keypad.

Short-circuits: Short-time protection (I_{sd})

Short-circuit protection with an adjustable pick-up **I_{sd}** and adjustable time delay **tsd**, with the possibility of including a portion of an inverse time curve (I²t On).

Short-circuits: Instantaneous protection (I_i)

Instantaneous protection with adjustable pick-up **I_i**.

Additional ground fault protection (I_g) on Micrologic 6

Residual type ground-fault protection with an adjustable pick-up **I_g** (with Off position) and adjustable time delay **tg**. Possibility of including a portion of an inverse time curve (I²t On).

Neutral protection

On 4-pole circuit breakers, this protection can be set via the keypad:

- Off: neutral unprotected
- 0.5: neutral protection at half the value of the phase pick-up, i.e. 0.5 x I_r
- 1.0: neutral fully protected at I_r
- OSN: Oversized neutral protection at 1.6 times the value of the phase pick-up. Used when there is a high level of 3rd order harmonics (or orders that are multiples of 3) that accumulate in the neutral and create a high current. In this case, the device must be limited to I_r = 0.63 x I_n for the maximum neutral protection setting of 1.6 x I_r.
- With 3-pole circuit breakers, the neutral can be protected by installing an external neutral sensor with the output (T1, T2) connected to the trip unit.

Zone selective interlocking (ZSI)

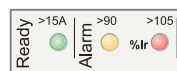
A ZSI terminal block may be used to interconnect a number of Micrologic control units to provide zone selective interlocking for short-time (I_{sd}) and ground-fault (I_g) protection, without a time delay. For Compact NSX 100 to 250, the ZSI function is available only in relation to the upstream circuit breaker (ZSI out).

Display of type of fault

On a fault trip, the type of fault (I_r, I_{sd}, I_i, I_g), the phase concerned and the interrupted current are displayed. An external power supply is required.

Indications

Front indications



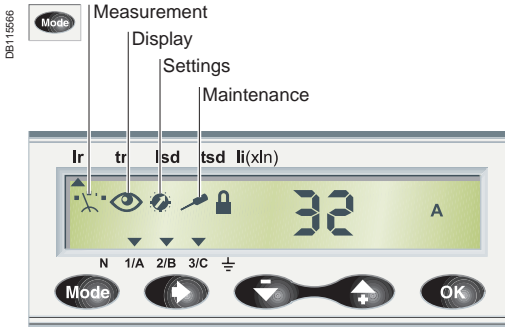
- Green "Ready" LED: flashes slowly when the circuit breaker is ready to trip in the event of a fault.
- Orange overload pre-alarm LED: steady on when I > 90 % I_r
- Red overload LED: steady on when I > 105 % I_r

Remote indications

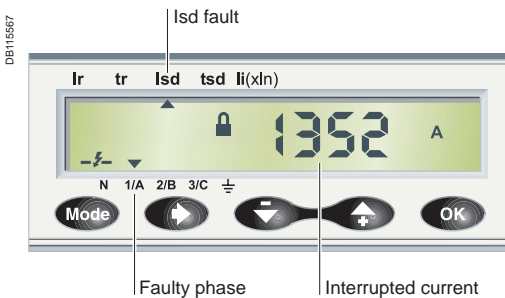
An SDx relay module installed inside the circuit breaker can be used to remote the following information:

- overload trip
 - overload prealarm (Micrologic 5) or ground fault trip (Micrologic 6).
- This module receives the signal from the Micrologic electronic trip unit via an optical link and makes it available on the terminal block. The signal is cleared when the circuit breaker is closed.

These outputs can be reprogrammed to be assigned to other types of tripping or alarm. The module is described in detail in the section dealing with accessories.



Trip unit menus.



Display of interrupted current.

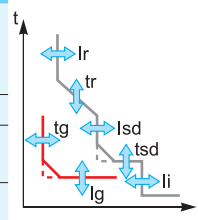
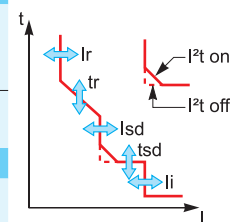


SDx remote indication relay module with its terminal block.

Note: all the trip units have a transparent lead-sealable cover that protects access to the adjustment dials.



Protection		Micrologic 5 / 6 A or E trip units										
Ratings (A)	In at 40 °C ⁽¹⁾	40 ⁽²⁾	100	160	250	400	630					
Circuit breaker	Compact NSX100	■	■	-	-	-	-					
	Compact NSX160	■	■	■	-	-	-					
	Compact NSX250	■	■	■	■	-	-					
	Compact NSX400	-	-	-	-	■	-					
	Compact NSX630	-	-	-	-	-	■	■				
L Long-time protection												
Pick-up (A) tripping between 1.05 and 1.20 Ir	Ir = ...	dial setting	value depending on trip unit rating (In) and setting on dial									
		In = 40 A	Io =	18	18	20	23	25	28	32	36	40
		In = 100 A	Io =	40	45	50	55	63	70	80	90	100
		In = 160 A	Io =	63	70	80	90	100	110	125	150	160
		In = 250 A	Io =	100	110	125	140	160	175	200	225	250
In = 400 A	Io =	160	180	200	230	250	280	320	360	400		
In = 630 A	Io =	250	280	320	350	400	450	500	570	630		
		keypad setting	Fine adjustment in 1 A steps below maximum value set on dial									
Time delay (s) accuracy 0 to -20 %	tr = ...	keypad setting	0.5	1	2	4	8	16				
		1.5 x Ir	15	25	50	100	200	400				
		6 x Ir	0.5	1	2	4	8	16				
		7.2 x Ir	0.35	0.7	1.4	2.8	5.5	11				
Thermal memory		20 minutes before and after tripping										
S Short-time protection with adjustable time delay												
Pick-up (A) accuracy ±10 %	Isd = Ir x ...	dial setting for Micrologic 5	1.5	2	3	4	5	6	7	8	10	
		keypad settings for micrologic 6	Adjustment in steps of 0.5 x Ir over the range 1.5 x Ir to: 15 x Ir (40 to 160 A), 12 x Ir (250 to 400 A) or 11 x Ir (630 A)									
Time delay (s)	tsd = ...	keypad setting	I ² Off	0	0.1	0.2	0.3	0.4				
			I ² On	-	0.1	0.2	0.3	0.4				
		Non-tripping time (ms)	20	80	140	230	350					
Maximum break time (ms)		80	140	200	320	500						
I Instantaneous protection												
Pick-up (A) accuracy ±15 %	Ii = In x	keypad setting	Adjustment in steps of 0.5 x In over the range 1.5 x In to: 15 x In (40 to 160 A), 12 x In (250 to 400 A) or 11 x In (630 A)									
		Non-tripping time	10 ms									
Maximum break time		50 ms for I > Ii										
G Ground-fault protection - for Micrologic 6 A or E												
Pick-up (A) accuracy ±10 %	I _g = In x	dial setting	In = 40 A	0.4	0.4	0.5	0.6	0.7	0.8	0.9	1	Off
		In > 40 A	0.2	0.3	0.4	0.5	0.6	0.7	0.8	1	Off	
		Fine adjustment in 0.05 A steps using the keypad										
Time delay (s)	tg = ...	keypad setting	I ² Off	0	0.1	0.2	0.3	0.4				
			I ² On	-	0.1	0.2	0.3	0.4				
		Non-tripping time (ms)	20	80	140	230	350					
Maximum break time (ms)		80	140	200	320	500						
Test	I _g function	built-in										



(1) If the trip units are used in high-temperature environments, the Micrologic setting must take into account the thermal limitations of the circuit breaker. See the temperature derating table.

(2) For 40 A rating, the neutral N/2 adjustment is not possible.

In addition to protection functions, Micrologic 5 / 6 trip units offer all the functions of Power Meter products as well as operating-assistance for the circuit breaker.

- display of settings
- measurement functions:
 - Ammeter (A)
 - Energy (E)
- alarms
- time-stamped histories and event tables
- maintenance indicator
- communication.

Micrologic A and E measurement functions are made possible by Micrologic intelligence and the accuracy of the sensors. They are handled by a microprocessor that operates independent of protection functions.

Display



Micrologic LCD

The user can display all the protection settings and the main measurements on the LCD screen of the trip unit.

- Micrologic A: instantaneous rms current measurements
- Micrologic E: voltage, frequency and power measurements and energy metering, in addition to the measurements offered by Micrologic A

To make the display available under all conditions and increase operating comfort, an external power supply is recommended for Micrologic A.

It is indispensable to:

- display faults and interrupted current measurements
- use all the functions of Micrologic E (e.g. metering of low power and energy values)
- ensure operation of the communication system.

The external power supply can be shared by several devices. For description, see page A-32.

FDM121 display unit

An FDM121 switchboard display unit can be connected to a Micrologic trip unit using a prefabricated cord to display all measurements on a screen. The result is a veritable 96 x 96 mm Power Meter.

In addition to the information displayed on the Micrologic LCD, the FDM121 screen shows demand, power quality and maximeter/minimeter values along with alarms, histories and maintenance indicators.

The FMD121 display unit requires a 24 V DC power supply. The Micrologic trip unit is supplied by the same power supply via the cord connecting it to the FDM121.


PC screen

When the Micrologic, with or without an FDM121 switchboard display unit, is connected to a communication network, all information can be accessed via a PC.

Measurements



Instantaneous rms measurements

The Micrologic A and E continuously display the RMS value of the highest current of the three phases and neutral (Imax). The navigation buttons  can be used to scroll through the main measurements.

In the event of a fault trip, the current interrupted is memorised.

The Micrologic A measures phase, neutral, ground fault currents.

The Micrologic E offers voltage, frequency and power measurements in addition to the measurements provided by Micrologic A

Maximeters / minimeters

Every instantaneous measurement provided by Micrologic A or E can be associated with a maximeter/minimeter. The maximeters for the highest current of the 3 phases and neutral, the demand current and power can be reset via the trip unit keypad, the FDM121 display unit or the communication system.

Energy metering

The Micrologic E also measures the energy consumed since the last reset of the meter. The active energy meter can be reset via the keypad and the FDM121 display unit or the communication system.

Demand and maximum demand values

Micrologic E also calculates demand current and power values. These calculations can be made using a block or sliding interval that can be set from 5 to 60 minutes in steps of 1 minute. The window can be synchronised with a signal sent via the communication system. Whatever the calculation method, the calculated values can be recovered on a PC via Modbus communication.

Ordinary spreadsheet software can be used to provide trend curves and forecasts based on this data. They will provide a basis for load shedding and reconnection operations used to adjust consumption to the subscribed power.

Power quality

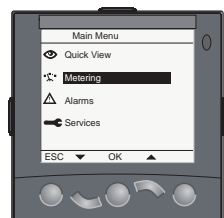
Micrologic E calculates power quality indicators taking into account the presence of harmonics up to the 15th order, including the total harmonic distortion (THD) of current and voltage.

PB103865



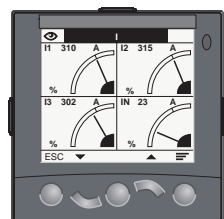
Micrologic built-in LCD display showing an energy measurement.

DB112211



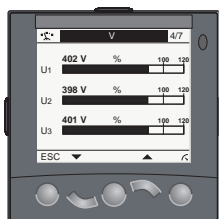
FDM121 display: navigation.

DB112131



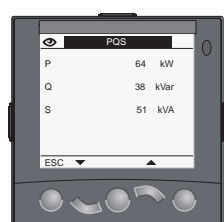
Current.

DB112132



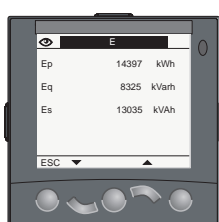
Voltage.

DB112133



Power.

DB112134



Consumption.

Examples of measurement screens on the FDM121 display unit.



Micrologic 5 / 6 integrated Power Meter functions			Type		Display	
			A	E	Micrologic LCD	FDM121 display
Display of protection settings						
Pick-ups (A) and delays	All settings can be displayed	I _r , t _r , I _{sd} , t _{sd} , I _i , I _g , t _g	■	■	■	
Measurements						
Instantaneous rms measurements						
Currents (A)	Phases and neutral	I ₁ , I ₂ , I ₃ , I _N	■	■	■	■
	Average of phases	I _{avg} = (I ₁ + I ₂ + I ₃) / 3	■	■	-	■
	Highest current of the 3 phases and neutral	I _{max} of I ₁ , I ₂ , I ₃ , I _N	■	■	■	■
	Ground fault (Micrologic 6)	% I _g (pick-up setting)	■	■	■	■
	Current unbalance between phases	% I _{avg}	-	■	-	■
Voltages (V)	Phase-to-phase	U ₁₂ , U ₂₃ , U ₃₁	-	■	■	■
	Phase-to-neutral	V _{1N} , V _{2N} , V _{3N}	-	■	■	■
	Average of phase-to-phase voltages	U _{avg} = (U ₁₂ + U ₂₁ + U ₂₃) / 3	-	■	-	■
	Average of phase-to-neutral voltages	V _{avg} = (V _{1N} + V _{2N} + V _{3N}) / 3	-	■	-	■
	Ph-Ph and Ph-N voltage unbalance	% U _{avg} and % V _{avg}	-	■	-	■
	Phase sequence	1-2-3, 1-3-2	-	■	■	■
Frequency (Hz)	Power system	f	-	■	-	■
Power	Active (kW)	P, total / per phase	-	■	■ / -	■
	Reactive (kVAR)	Q, total / per phase	-	■	■ / -	■
	Apparent (kVA)	S, total / per phase	-	■	■ / -	■
	Power factor and cos φ (fundamental)	PF and cos φ, total and per phase	-	■	-	■
Maximeters / minimeters						
	Associated with instantaneous rms measurements	Reset via Micrologic or FDM121 display unit	■	■	-	■
Energy metering						
Energy	Active (kW), reactive (kVARh), apparent (kVAh)	Total since last reset Absolute or signed mode ⁽¹⁾	-	■	■	■
Demand and maximum demand values						
Demand current (A)	Phases and neutral	Present value on the selected window	-	■	-	■
		Maximum demand since last reset	-	■	-	■
Demand power	Active (kWh), reactive (kVAR), apparent (kVA)	Present value on the selected window	-	■	-	■
		Maximum demand since last reset	-	■	-	■
Calculation window	Sliding, fixed or com-synchronised	Adjustable from 5 to 60 minutes in 1 minute steps	-	■	-	⁽²⁾
Power quality						
Total harmonic distortion (%)	Of voltage with respect to rms value	THDU, THDV of the Ph-Ph and Ph-N voltage	-	■	-	■
	Of current with respect to rms value	THDI of the phase current	-	■	-	■

⁽¹⁾ Absolute mode: $E_{absolute} = E_{out} + E_{in}$; Signed mode: $E_{signed} = E_{out} - E_{in}$.

⁽²⁾ Available via the communication system only.

Additional technical characteristics

Measurement accuracy

Accuracies are those of the entire measurement system, including the sensors:

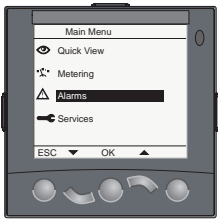
- Current: Class 1 as per IEC 61557-12
- Voltage: 0.5 %
- Power and energy: Class 2 as per IEC 61557-12
- Frequency: 0.1 %.

PB103365



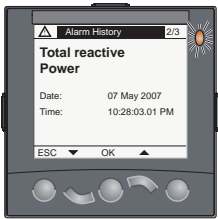
Micrologic built-in LCD display.

DB112212



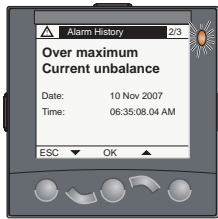
FDM121 display: navigation.

DB112127



Overpower alarm.

DB112128



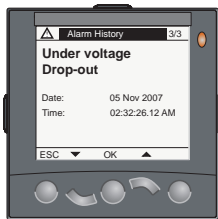
Phase unbalance alarm.

DB112129



Alarm pick-up and drop-out.

DB112130



Examples of operating-assistance screens on the FDM121 display unit.

Personalised alarms with time-stamping



Alarm types

The user can assign an alarm to all Micrologic A or E measurements or events:

- up to 12 alarms can be used together:
 - two alarms are predefined and activated automatically:
 - Micrologic 5: overload (Ir)
 - Micrologic 6: overload (Ir) and ground fault (Ig)
 - thresholds, priorities and time delays can be set for ten other alarms.
- the same measurement can be used for different alarms to precisely monitor certain values, e.g. the frequency or the voltage
- alarms can also be assigned to various states: phase lead/lag, four quadrants, phase sequence
- selection of display priorities, with pop-up possibility
- alarm time-stamping.

Alarm settings

Alarms cannot be set via the keypad or the FDM121 display unit. They are set via communication with the PC. Set-up includes the threshold, priority, activation delay before display and deactivation delay. It is also possible to reprogram the standard assignment for the two SDx relay outputs to user-selected alarms.

Alarm reading

Remote alarm indications

- reading on FDM121 display unit or on PC via the communication system
- remote indications via SDx relay with two output contacts for alarms.

Histories and event tables



Micrologic A and E have histories and event tables that are always active.

Three types of time-stamped histories

- Tripping due to overruns of Ir, Isd, li, Ig: last 17 trips
- Alarms: last 10 alarms
- Operating events: last 10 events

Each history record is stored with:

- indications in clear text in a number of user-selectable languages
- time-stamping: date and time of event
- status: pick-up / drop-out

Two types of time-stamped event tables

- Protection settings
- Minimizers / maximeters

Display of alarms and tables

The time-stamped histories and event tables may be displayed on a PC via the communication system.

Embedded memory

Micrologic A and E have a non-volatile memory that saves all data on alarms, histories, event tables, counters and maintenance indicators even if power is lost.

Maintenance indicators



Micrologic A and E have indicators for, among others, the number of operating cycles, contact wear and operating times (operating hours counter) of the Compact NSX circuit breaker.

It is possible to assign an alarm to the operating cycle counter to plan maintenance. The various indicators can be used together with the trip histories to analyse the level of stresses the device has been subjected to.

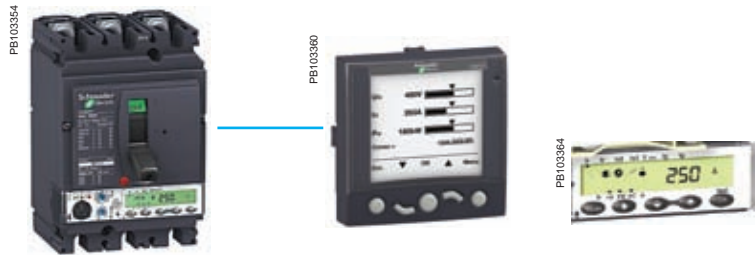
The information provided by the indicators cannot be displayed on the Micrologic LCD. It is displayed on the PC via the communication system.

Management of installed devices

Each circuit breaker equipped with a Micrologic 5 or 6 trip unit can be identified via the communication system:

- serial number
- firmware version
- hardware version
- device name assigned by the user.

This information together with the previously described indications provides a clear view of the state of the installed devices.



Micrologic 5 / 6 operating assistance functions			Type		Display	
			A	E	Micrologic LCD	FDM121 display
Operating assistance						
Personalised alarms						
Settings	Up to 10 alarms assigned to all A and E measurements			■	■	(2)
	Phase lead/lag, four quadrants, phase sequence, display priority selection			-	■	(2)
Display	Alarms and tripping			■	■	(2)
Remote indications	Activation of two dedicated contacts on SDx module			■	■	-
Time-stamped histories						
Trips (last 17)	Cause of tripping	Ir, lsd, li (Micrologic 5, 6)		■	■	(2)
	(time-stamping with ms)	Ig (Micrologic 6)		■	■	(2)
Alarms (last 10)				■	■	(2)
Operating events (last 10)	Event types	Modification of protection setting by dial		-	■	(2)
		Opening of keypad lock		-	■	(2)
		Test via keypad		-	■	(2)
		Test via external tool		-	■	(2)
		Time setting (date and time)		-	■	(2)
		Reset for maximeter/minimeter and energy meter		■	■	■
Time stamping	Presentation	Date and time, text, status		■	■	(2)
Time-stamped event tables						
Protection settings	Setting modified (value displayed)	Ir tr lsd tsd li lg tg		■	■	(2)
	Time-stamping	Date and time of modification		■	■	(2)
	Previous value	Value before modification		■	■	(2)
Min/Max	Values monitored	I1 I2 I3 IN		-	-	(2)
		I1 I2 I3 IN U12 U23 U31 f		-	■	(2)
	Time-stamping of each value	Date and time of min/max record		■	■	(2)
	Current min/max value	Min/max value		■	■	(2)
Maintenance indicators						
Counter	Mechanical cycles ⁽¹⁾	Assignable to an alarm		■	■	(2)
	Electrical cycles ⁽¹⁾	Assignable to an alarm		■	■	(2)
	Trips	One per type of trip		■	■	(2)
	Alarms	One for each type of alarm		■	■	(2)
	Hours	Total operating time (hours)		■	■	(2)
Indicator	Contact wear	%		■	■	(2)
Load profile	Hours at different load levels	% of hours in four current ranges: 0-49 % In, 50-79 % In, 80-89 % In and ≥ 90 % In		■	■	(2)

(1) The BSCM module (page A-27) is required for these functions.

(2) Available via the communication system only.

Additional technical characteristics

Contact wear

Each time Compact NSX opens, the Micrologic 5 / 6 trip unit measures the interrupted current and increments the contact-wear indicator as a function of the interrupted current, according to test results stored in memory. Breaking under normal load conditions results in a very slight increment. The indicator value may be read on the FDM121 display. It provides an estimation of contact wear calculated on the basis of the cumulative forces affecting the circuit breaker. When the indicator reaches 80%, it is advised to replace the circuit breaker to ensure the availability of the protected equipment.

Circuit breaker load profile

Micrologic 5 / 6 calculates the load profile of the circuit breaker protecting a load circuit. The profile indicates the percentage of the total operating time at four current levels (% of breaker In):

- 0 to 49 % In
- 50 to 79 % In
- 80 to 89 % In
- ≥ 90 % In.

This information can be used to optimise use of the protected equipment or to plan ahead for extensions.

Micrologic measurement capabilities come into full play with the FDM121 switchboard display. It connects to Compact NSX via a simple cord and displays Micrologic information. The result is a true integrated unit combining a circuit breaker and a Power Meter. Additional operating assistance functions can also be displayed.

FDM121 switchboard display

The FDM121 is a switchboard display unit that can be integrated in the Compact NSX100 to 630 A system. It uses the sensors and processing capacity of the Micrologic trip unit. It is easy to use and requires no special software or settings. It is immediately operational when connected to the Compact NSX by a simple cord. The FDM121 is a large display, but requires very little depth. The anti-glare graphic screen is backlit for very easy reading even under poor ambient lighting and at sharp angles.

Display of Micrologic measurements and alarms

The FDM121 is intended to display Micrologic 5 / 6 measurements, alarms and operating information. It cannot be used to modify the protection settings.

Measurements may be easily accessed via a menu.

All user-defined alarms are automatically displayed. The display mode depends on the priority level selected during alarm set-up:

- high priority: a pop-up window displays the time-stamped description of the alarm and the orange LED flashes
- medium priority: the orange "Alarm" LED goes steady on
- low priority: no display on the screen.

All faults resulting in a trip automatically produce a high-priority alarm, without any special settings required.

In all cases, the alarm history is updated.

If power to the FDM121 fails, all information is stored in the Micrologic non-volatile memory. The data can be consulted via the communication system when power is restored.

Status indications and remote control

When the circuit breaker is equipped with the BSCM module (page A-27), the FDM121 display can also be used to view circuit breaker status conditions:

- O/F: ON/OFF
- SD: trip indication
- SDE: Fault-trip indication (overload, short-circuit, ground fault)

Main characteristics

- 96 x 96 x 30 mm screen requiring 10 mm behind the door (or 20 mm when the 24 volt power supply connector is used).
- White backlighting.
- Wide viewing angle: vertical $\pm 60^\circ$, horizontal $\pm 30^\circ$.
- High resolution: excellent reading of graphic symbols.
- Alarm LED: flashing orange for alarm pick-up, steady orange after operator reset if alarm condition persists.
- Operating temperature range -10°C to $+55^\circ\text{C}$.
- CE / UL marking.
- 24 V DC power supply, with tolerances 24 V -20% (19.2 V) to 24 V $+10\%$ (26.4 V). When the FDM121 is connected to the communication network, the 24 V is supplied by the communication system wiring system.
- Consumption 40 mA.

Mounting

The FDM121 is easily installed in a switchboard.

- Standard door cut-out 92 x 92 mm.
- Attached using clips.

To avoid a cut-out in the door, an accessory is available for surface mounting by drilling only two 22 mm diameter holes.

The FDM121 degree of protection is IP54 in front. IP54 is maintained after switchboard mounting by using the supplied gasket during installation.

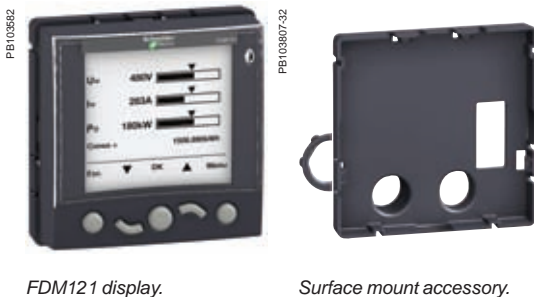
Connection

The FDM121 is equipped with:

- a 24 V DC terminal block:
 - plug-in type with 2 wire inputs per point for easy daisy-chaining
 - power supply range of 24 V -20% (19.2 V) to 24 V $+10\%$ (26.4 V)
- two RJ45 jacks.

The Micrologic connects to the internal communication terminal block on the Compact NSX via the pre-wired NSX cord. Connection to one of the RJ45 connectors on the FDM121 automatically establishes communication between the Micrologic and the FDM121 and supplies power to the Micrologic measurement functions.

When the second connector is not used, it must be fitted with a line terminator.

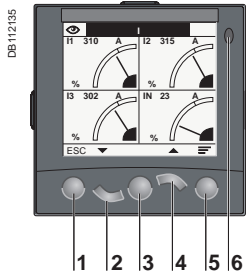


FDM121 display.

Surface mount accessory.



Connection with FDM121 display unit.



- 1 Escape
- 2 Down
- 3 OK
- 4 Up
- 5 Context
- 6 Alarm LED

Navigation

Five buttons are used for intuitive and fast navigation.

The "Context" button may be used to select the type of display (digital, bargraph, analogue).

The user can select the display language (Chinese, English, French, German, Italian, Portuguese, Spanish, etc.) Other languages can be downloaded.

Screens

Main menu

When powered up, the FDM121 screen automatically displays the ON/OFF status of the device.

- Quick view
- Metering
- Alarms
- Services.

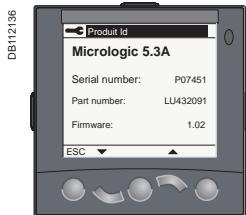
When not in use, the screen is not backlit. Backlighting can be activated by pressing one of the buttons. It goes off after 3 minutes.

Fast access to essential information

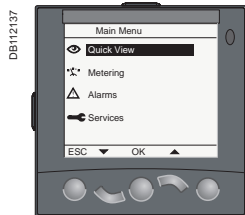
■ "Quick view" provides access to five screens that display a summary of essential operating information (I, U, f, P, E, THD, circuit breaker On / Off).

Access to detailed information

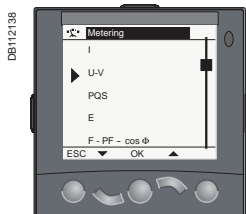
- "Metering" can be used to display the measurement data (I, U-V, f, P, Q, S, E, THD, PF) with the corresponding min/max values.
- Alarms displays active alarms and the alarm history.
- Services provides access to the operation counters, energy and maximeter reset function, maintenance indicators, identification of modules connected to the internal bus and FDM121 internal settings (language, contrast, etc.)



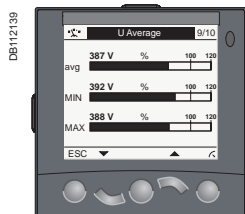
Product identification.



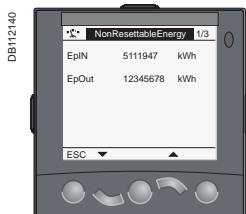
Quick view.



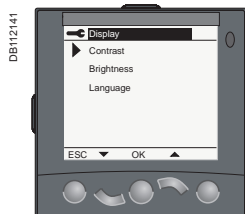
Metering: sub-menu.



Metering: U average.



Metering: meter.



Services.

All Compact NSX devices can be equipped with the communication function via a prewired connection system and a Modbus network interface. The interface can be connected directly or via the FDM121 switchboard display unit. Four functional levels can be combined to adapt to all supervision requirements.

Four functional levels

The Compact NSX can be integrated in a Modbus communication environment. Four functional levels can be used separately or combined.

Communication of status indications

This level is compatible with all Compact NSX circuit breakers, whatever the trip unit, and with all switch-disconnectors. Using the BSCM module, the following information is accessible:

- ON/OFF position (O/F)
- trip indication (SD)
- fault-trip indication (SDE).

Communication of commands

Also available on all circuit breakers and switch-disconnectors, this level (communicating remote control) can be used to:

- open
- close
- reset.

Communication of measurements with Micrologic 5 / 6 A or E

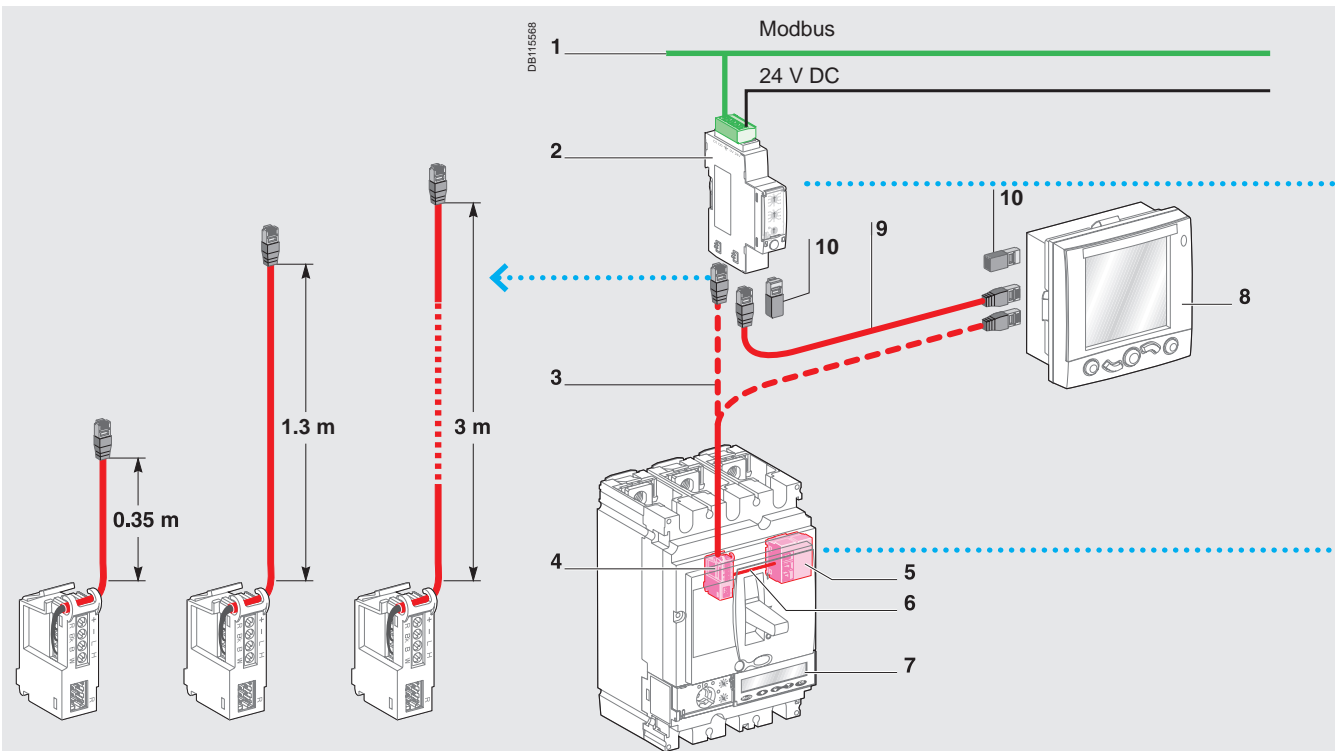
This level provides access to all available information:

- instantaneous and demand values
- maximeters/minimeters
- energy metering
- demand current and power
- power quality.

Communication of operating assistance with Micrologic 5 / 6 A or E

- protection and alarm settings
- time-stamped histories and event tables
- maintenance indicators.

Communication components and connections



Connections

- Compact NSX is connected to the Modbus interface or FDM121 display unit via the internal terminal block for the NSX cord equipped with an RJ45 connector.
- cord available in three lengths: 0.35 m, 1.3 m and 3 m.
- insulated 0.35 m version for installations > 480 V AC
- lengths up to 10 m possible using extensions.
- The FDM121 display unit is connected to the Modbus interface by a communication cable with RJ45 connectors on both ends.

- 1 Modbus network
- 2 Modbus interface
- 3 NSX cord
- 4 Internal terminal block for communication via NSX cord
- 5 BSCM module
- 6 Prefabricated wiring
- 7 Micrologic trip unit
- 8 FDM121 display
- 9 RJ45 cable
- 10 Line terminator (on unused connector if applicable)

Modbus interface module

Functions

This module, required for connection to the network, contains the Modbus address (1 to 99) declared by the user via the two dials in front. It automatically adapts (baud rate, parity) to the Modbus network in which it is installed.

It is equipped with a lock-out switch to enable or disable operations involving writing to Micrologic, i.e. reset, counter reset, setting modifications, device opening and closing commands, etc.

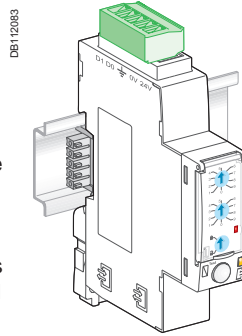
There is a built-in test function to check the connections of the Modbus interface module with the Micrologic and FDM121 display unit.

Mounting

The module is mounted on a DIN rail. A number of modules may be clipped one next to the other.

For this, a stacking accessory is available for fast clip-connection of both the Modbus link and the 24 V DC supply.

The Modbus interface module supplies 24 V DC to the corresponding Micrologic, FDM121 display and BSCM module. Module consumption is 60 mA / 24 V DC.



Modbus interface module.

BSCM module

Functions

The optional BSCM Breaker Status & Control Module is used to acquire device status indications and control the communicating remote-control function.

It includes a memory used to manage the maintenance indicators.

Status indications

Indication of device status:
O/F, SD and SDE.

Maintenance indicators

The BSCM module manages the following indicators:

- mechanical operation counter
- electrical operation counter
- history of status indications.

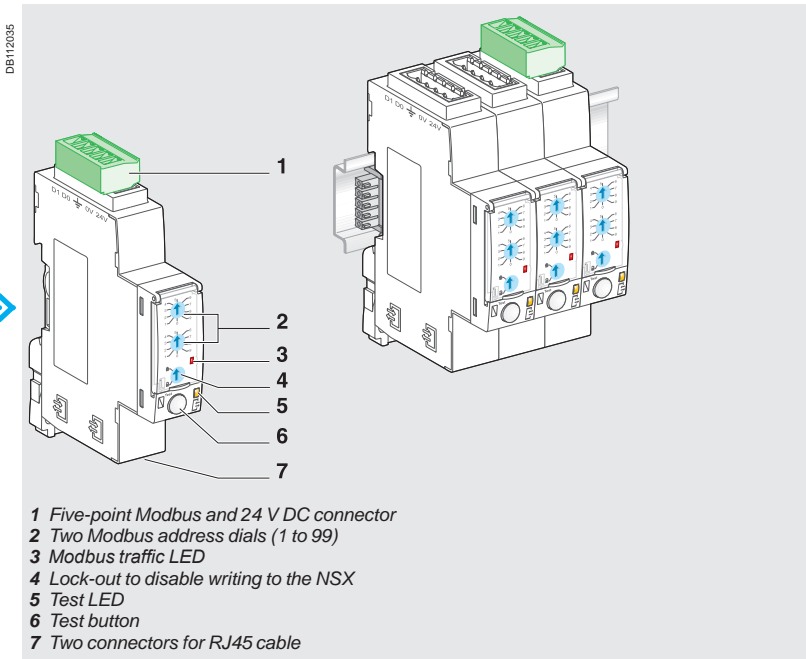
It is possible to assign an alarm to the operation counters.

Controls

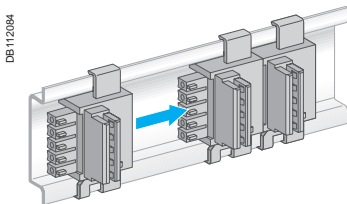
The module can be used to carry out communicating remote control operations: (open, close and reset) in different modes (manual, auto).

Mounting

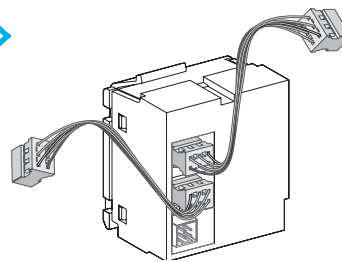
The BSCM module can be installed on all Compact NSX circuit breakers and switch-disconnectors. It simply clips into the auxiliary contact slots. It occupies the slots of one O/F contact and one SDE contact. The BSCM is supplied with 24 V DC power automatically via the NSX cord when the communication system is installed.



- 1 Five-point Modbus and 24 V DC connector
- 2 Two Modbus address dials (1 to 99)
- 3 Modbus traffic LED
- 4 Lock-out to disable writing to the NSX
- 5 Test LED
- 6 Test button
- 7 Two connectors for RJ45 cable



Mounting with stacking accessory.

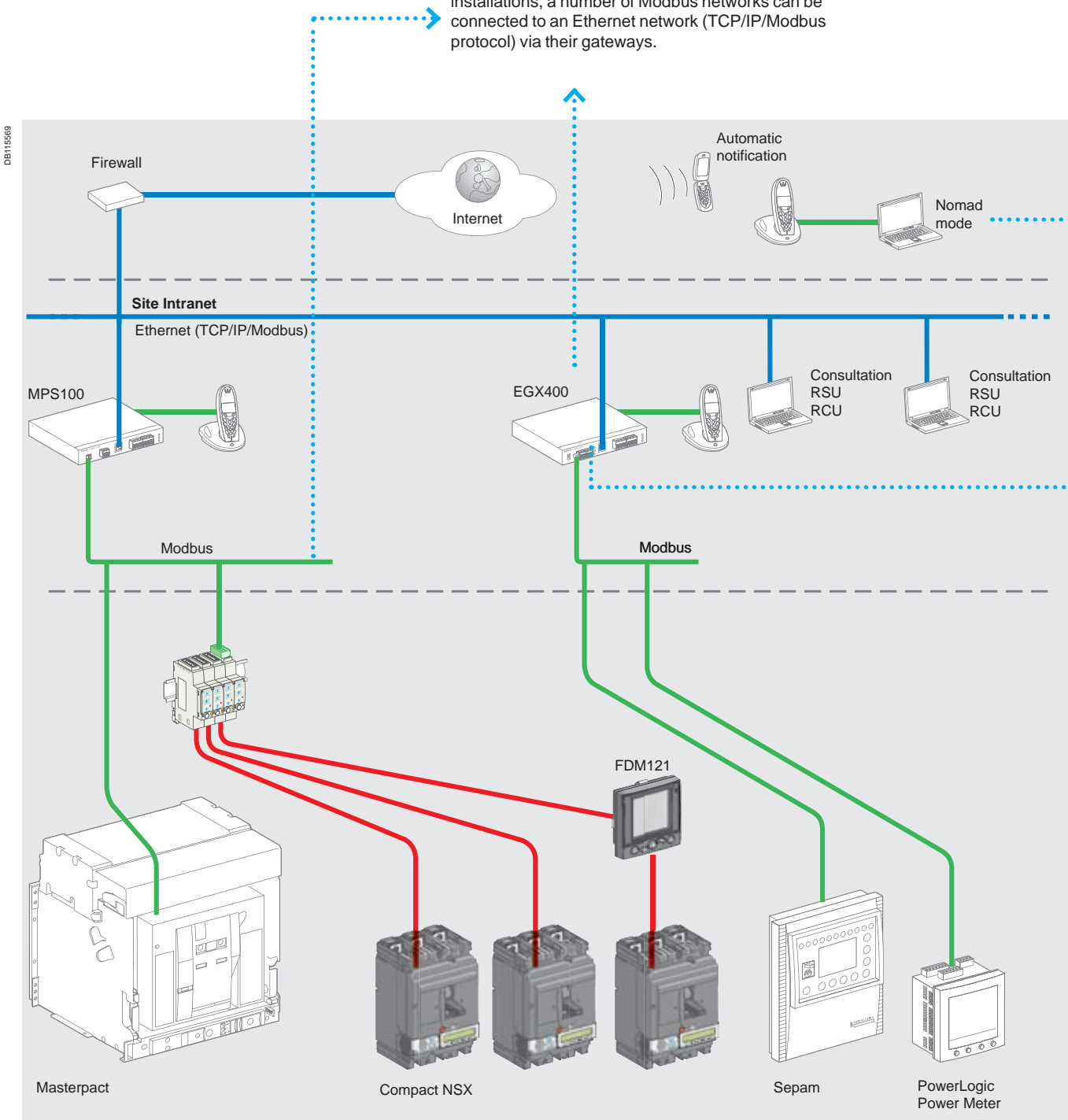


BSCM module.

Compact NSX uses the Modbus communication protocol, compatible with SMS PowerLogic supervision systems. Two downloadable utilities facilitate implementation of communication functions.

Modbus

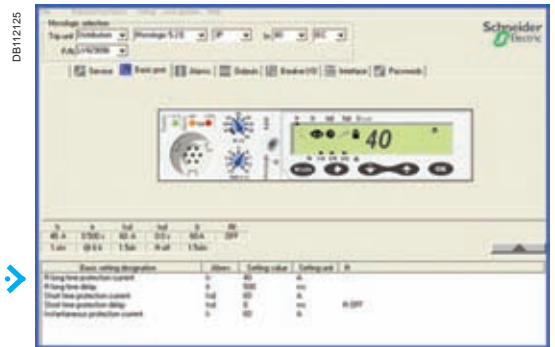
Modbus is the most widely used communication protocol in industrial networks. It operates in master-slave mode. The devices (slaves) communicate one after the other with a gateway (master). Masterpact, Compact NSX, PowerLogic and Sepam products all operate with this protocol. A Modbus network is generally implemented on an LV or MV switchboard scale. Depending on the data monitored and the desired refresh rate, a Modbus network connected to a gateway can serve 4 to 16 devices. For larger installations, a number of Modbus networks can be connected to an Ethernet network (TCP/IP/Modbus) via their gateways.



DB115589

Micrologic utilities

- Two utilities, RSU and RCU, presented on the next page, are available to assist in starting up a communicating installation. Intended for Compact NSX and Masterpact, the software can be downloaded from the Schneider Electric internet site.
- The "Live update" function enables immediate updating to obtain the most recent upgrades. These easy-to-use utilities include starting assistance and on-line help. They are compatible with Microsoft Windows 2000, XP and Vista.



RSU configuration screen for a Micrologic 5.2.



RCU mini-supervision screen for current measurements.

Gateway

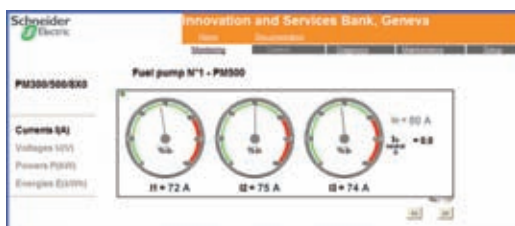
The gateway has two functions:

- access to the company intranet (Ethernet) by converting Modbus frames to the TCP/IP/Modbus protocol
- optional web-page server for the information from the devices.

Examples include MPS100, EGX400 and EGX100.

MPS100

- Plug and play device. It comes loaded with a web-page application for graphic display of currents and voltages and viewing of circuit-breaker status and power and energy values.
- To use the application, simply declare the Modbus addresses of the connected slaves. Automatically recognised devices include all Masterpact and Compact NSX Micrologic trip units and the PM500/700/800 and PM9c power monitoring units.
- Can be used for automatic alarm notification via a messaging server available on the site intranet or via mobile phones (e-mail converted into SMS).
- Can be used for logging of data that can be automatically sent as e-mail attachments, e.g. a weekly consumption report.



Web page.

Two utilities, RSU and RCU, are available to assist in starting up a communicating installation. They can be downloaded from the Schneider Electric internet site and include a "Live update" function that enables immediate updating.

RSU (Remote Setting Utility)

This utility is used to set the protection functions and alarms for each Masterpact and Compact NSX device. After connection to the network and entry of the circuit-breaker Modbus address, the software automatically detects the type of trip unit installed. There are two possible operating modes.

Off-line with the software disconnected from the communication network

For each selected circuit breaker, the user can do the following.

Determine the protection settings

The settings are carried out on a screen that shows the front of the trip unit. The Micrologic setting dials, keypad and screen are simulated for easy use of all Micrologic setting functions.

Save and duplicate the protection settings

Each configuration created can be saved for subsequent device programming. It can also be duplicated and used as the basis for programming another circuit breaker.

On-line with the software connected to the network

Similarly, for each selected circuit breaker, the user can do the following.

Display the current settings

The software displays the trip unit and provides access to all settings.

View the corresponding protection curves

A graphic curve module in the software displays the protection curve corresponding to the settings. It is possible to lay a second curve over the first for discrimination studies.

Modify settings in a secure manner

- There are different levels of security:
 - password: by default, it is the same for all devices, but can be differentiated for each device
 - locking of the Modbus interface module which must be unlocked before the corresponding device can be set remotely
 - maximum settings limited by the positions of the two dials on the trip unit. These dials, set by the user, determine the maximum settings that can be made via the communication system.

Settings are modified by:

- either direct, on-line setting of the protection settings on the screen
- or by loading the settings prepared in off-line mode. This is possible only if the positions of the dials allow the new settings.

All manual settings made subsequently on the device have priority.

Program alarms

- Up to 12 alarms can be linked to measurements or events.
- two alarms are predefined and activated automatically:
 - Micrologic 5: overload (Ir)
 - Micrologic 6: overload (Ir) and ground fault (Ig)
- thresholds, priorities and time delays can be set for 10 other alarms. They may be selected from a list of 91 alarms

Set the outputs of the SDx relays

This is required when the user wants to change the standard configuration and assign different signals to the 2 outputs of the SDx relay.

RCU (Remote Control Utility)

The RCU utility can be used to test communication for all the devices connected to the Modbus network. It is designed for use with Compact NSX, Masterpact, Advantys OTB and Power Meter devices. It offers a number of functions.

Mini supervisor

- Display of I, U, f, P, E and THD measurements for each device, via navigation
- Display of ON/OFF status

Open and close commands for each device

A common or individual password must first be entered.

When all functions have been tested, this utility is replaced by the supervision software selected for the installation.

DB118724

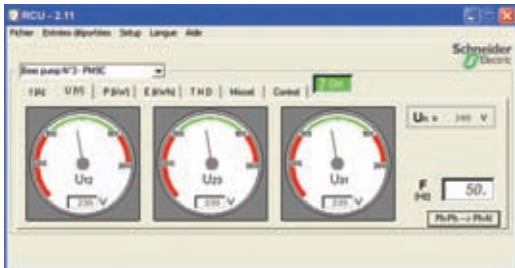


DB118725



RSU: Micrologic Remote Setting Utility.

DB118723



RCU: Remote Control Utility for communication tests.

Supervision software

Schneider Electric electrical installation supervision, management and expert system software integrates Compact NSX identification modules.

Types of software

Masterpact and Compact NSX communication functions are designed to interface with software dedicated to electrical installations:

- switchboard supervision
- electrical installation supervision
- power system management: electrical engineering expert systems
- process control
- SCADA (Supervisory Control & Data Acquisition), EMS (Enterprise Management System) or BMS (Building Management System) type software.

Integration of Compact NSX

Compact NSX devices are integrated via Modbus interface modules connected via FDM121 display units or NSX cords.

For easy connection of the different modules, the prefabricated cables are identified by ULP (Universal Logic Plug) symbols. The connection points on compatible modules are marked in the same manner.

Schneider Electric solutions

Electrical switchboard supervision via MPS100 or EGX400 Web servers

A simple solution for customers who want to consult the main electrical parameters of switchboard devices without dedicated software.

Up to 16 switchboard devices are connected via Modbus interfaces to an MPS100 or EGX400 Ethernet gateway integrating the functions of a web page server. The embedded Web pages can be easily configured with just a few mouse clicks. The information they provide is updated in real time.

The Web pages can be consulted using a standard Web browser on a PC connected via Ethernet to the company Intranet or remotely via a modem. Automatic notification of alarms and threshold overruns is possible via e-mail or SMS (Short Message Service).

Electrical installation supervision via PowerView software

PowerLogic® PowerView software is ideally suited to the supervision needs of small system applications, monitoring up to 32 devices. Installed on a PC under Windows, it represents a cost-effective and easy-to-implement power-monitoring solution that offers:

- automatic detection of compatible devices
- real-time monitoring of data including power consumption
- a report generator with a number of pre-defined reports that can be exported to Excel
- cost allocation
- time-stamped data-logging possibilities
- Modbus serial and Modbus TCP/IP compatible communication.

SMS electrical engineering expert system software

PowerLogic® SMS is a family of web-enabled software products for high-end power-monitoring applications. It is designed for large power systems.

SMS products offer detailed analysis of electrical events, long-duration data logging and extensive, economical report-building capabilities (e.g. consumption monitoring and tariff management).

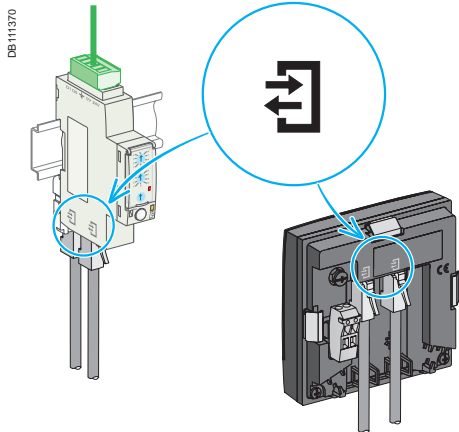
A wide variety of screens can be displayed in real time, including more than 50 tables, analogue meters, bargraphs, alarms logs with links to display waveforms and predefined reports on energy quality and service costs.

Other software

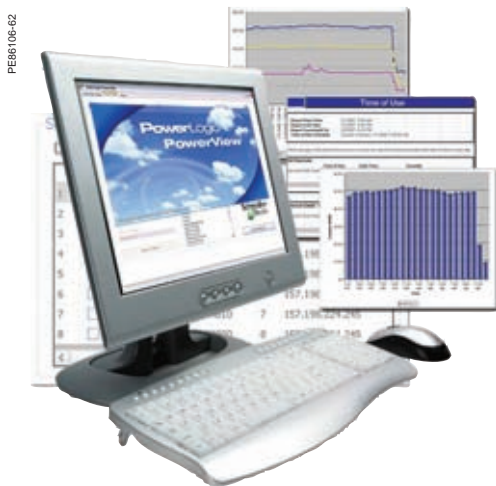
Compact NSX devices can forward their measurement and operating information to special software integrating the electrical installation and other technical facilities:

- SCADA process control software: Vijeo CITECT
- BMS Building Management System software: Vista.

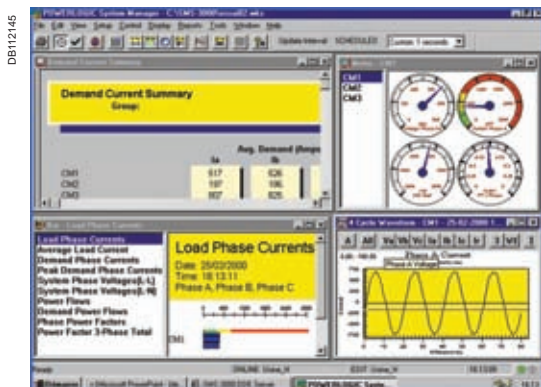
Please consult us.



Connection symbol for Compact NSX compatible modules.



PowerView software.



SMS software screen.

PB103843-18



External neutral current transformers.

PB103842-47



External neutral voltage tap (cat. no. LV434208).

PB103833-18



External 24 V DC power-supply module.

External neutral current transformer (ENCT)

The external transformer is a sensor required for a three-pole circuit breaker in a system with a distributed neutral to measure the neutral current in order to:

- protect the neutral conductor
- protect against insulation faults.

This current transformer can be connected to Micrologic 5 / 6 trip units. The transformer rating must be compatible with that of the circuit breaker.

Required current transformers for different circuit breaker models

Type of circuit breaker	Rating	Catalogue number
NSX100/160/250	25 – 100 A	LV429521
	150 – 250 A	LV430563
NSX400/630	400 – 630 A	LV432575

External neutral voltage tap (ENVT)

The neutral voltage transformer is required for Micrologic E power metering with a three-pole circuit breaker in a system with a distributed neutral. It is used to connect the neutral to the Micrologic trip unit to measure phase-to-neutral (Ph-N) voltages.

External 24 V DC power-supply module

Use

An external 24 V DC power supply is required for installations with communication, whatever the type of trip unit.

On installations without communication, it is available as an option for Micrologic 5/6 in order to make it possible to:

- modify settings when the circuit breaker is open
- display measurements when the current flowing through the circuit breaker is low (15 to 50 A depending on the rating)
- maintain the display of the cause of tripping and interrupted current.

Characteristics

A single external 24 V DC supply may be used for the entire switchboard.

The required characteristics are:

- output voltage: 24 V DC $\pm 5\%$
- ripple: $\pm 1\%$.
- overvoltage category: OVC IV - as per IEC 60947-1

External 24 V DC power-supply modules with an output current of 1 A are available:

Available external power-supply modules		Cat. no.	
Power supply	V DC ($\pm 5\%$)	24/30	54440
		48/60	54441
		100/125	54442
	V AC (+10 %, -15 %)	110/130	54443
		200/240	54444
	380/415	54445	
Output voltage	24 V DC ($\pm 5\%$)		
Ripple	$\pm 1\%$		
Overvoltage category (OVC)	OVC IV - as per IEC 60947-1		

An external 24 V DC power-supply module with an output current of 3 A is also available:

Available external power-supply modules		Cat. no.
Power supply	V DC	110/230
	V AC	110/240
Output voltage	24 V DC ($\pm 5\%$)	
Ripple	$\pm 1\%$	
Overvoltage category (OVC)	OVC II	

Total consumption

To determine the required output current of the 24 V DC power supply, it is necessary to sum up the currents consumed by the different loads supplied:

Consumption of Compact NSX modules	Consumption (mA)
Module	
Micrologic 5/6	20
BSCM module	10
FDM121	40
Modbus communication interface	60
NSX cord U > 480 V AC	30

PB103795-20



Test battery (cat. no. LV434206).

PB103833-16



Battery module (cat. no. 54446).

PB103795-24



24 V DC power-supply terminal block (cat. no. LV434210).

PB103795-24



NSX cord $U > 480$ V (cat. no. LV434204).

PB103803-27



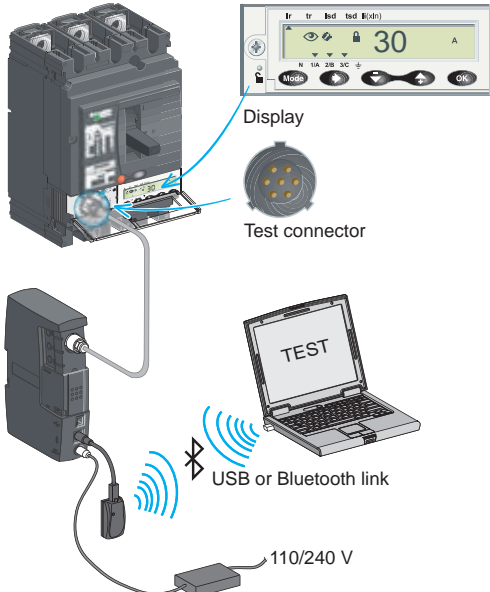
Maintenance case (cat. no. TRV00910).

PB103794-32



Configuration and maintenance module (cat. no. TRV00911).

DB11570



Using the configuration and maintenance module.

Test battery

This pocket battery connects to the Micrologic test connector. It powers up the Micrologic and the Ready LED. It supplies the screen and allows settings to be made via the keypad.

Battery module

The battery module is a back-up supply for the external power-supply module. The input/output voltages are 24 V DC and it can supply power for approximately three hours (100 mA).

24 V DC power-supply terminal block

The 24 V DC power-supply terminal block can be installed only on Micrologic 5/6 trip units. It is required to power the trip unit when the trip unit is not connected to an FDM121 display unit or to the communication system. When used, it excludes connection of an NSX cord.

NSX cord

- For voltage $U \leq 480$ V, available in 3 prefabricated lengths: 0.35 m, 1.3 m and 3 m.
- For voltages $U > 480$ V, a special 1.3 m cord with an insulation accessory is required.
- A set of cords with RJ45 connectors is available to adapt to different distances between devices.

Maintenance case

The case includes:

- configuration and maintenance module
- power supply (110...220 V AC / 50-60 Hz 24 V DC - 1 A)
- special cable for connection to the trip-unit test connector
- standard USB cable
- standard RJ45 cable
- user manual
- optional Bluetooth link (to PC).

Configuration and maintenance module

Included in the maintenance kit, this module tests Micrologic operation and provides access to all parameters and settings. It connects to the Micrologic test connector and can operate in two modes.

■ Stand-alone mode to:

- supply the Micrologic and check operation via the Ready LED
- check mechanical operation of the circuit breaker (trip using pushbutton).
- PC mode, connected to a PC via USB or Bluetooth link. This mode provides access to protection settings, alarm settings and readings of all indicators. Using the associated RSU software utility, it is possible to store, in a dedicated file for each device, all the data that can be transferred to another device.

This mode also offers operating-test functions:

- check on trip time delay (trip curve)
- check on non-tripping time (discrimination)
- check on ZSI (Zone Selective Interlocking) function
- alarm simulation
- display of setting curves
- display of currents
- printing of test reports.

Earth-leakage protection

Add-on protection against insulation faults using a Vigi module or Vigirex relay

There are two ways to add earth-leakage protection to any three or four-pole Compact NSX 100 to 630 circuit breaker equipped with a magnetic, thermal-magnetic or Micrologic 2, 5 or 6 trip unit:

- by adding a Vigi module to the circuit breaker to form a Vigicompact NSX
- by using a Vigirex relay and separate toroids.

PB103575921



Vigicompact NSX100 to 630.

044322



Earth-leakage relay.

051352



Separate toroids.

Circuit breaker with add-on Vigi module (Vigicompact NSX)

- For general characteristics of circuit breakers, see pages A-6 and A-7.
- Add-on Vigi modules. Earth-leakage protection is achieved by installing a Vigi module (characteristics and selection criteria on next page) directly on the circuit breaker terminals. It directly actuates the trip unit (magnetic, thermal-magnetic or Micrologic).

Circuit breaker combined with a Vigirex relay

Compact NSX circuit breaker + Vigirex relay

Vigirex relays may be used to add external earth-leakage protection to Compact NSX circuit breakers. The circuit breakers must be equipped with an MN or MX voltage release. The Vigirex relays add special tripping thresholds and time delays for earth-leakage protection.

Vigirex relays are very useful when faced with major installation constraints (circuit breaker already installed and connected, limited space available, etc.).

Vigirex-relay characteristics

- Sensitivity adjustable from 30 mA to 250 mA and 9 time-delay settings (0 to 4.5 seconds).
- Closed toroids up to 630 A (30 to 300 mm in diameter), split toroids up to 250 A (46 to 110 mm in diameter) or rectangular sensors up to 630 A.
- 50/60 Hz, 400 Hz distribution systems.

Options

- Trip indication by a fail-safe contact
- Pre-alarm contact and LED, etc.

Compliance with standards

- IEC 60947-2, annex M
- IEC/EN 60755: general requirements for residual-current operated protective devices
- IEC/EN 61000-4-2 to 4-6: immunity tests
- CISPR11: radio-frequency radiated and conducted emission tests
- UL1053 and CSA22.2 No. 144 for RH10, RH21 and RH99 relays at supply voltages up to and including 220/240 V.

PB103579-21



Vigicompact NSX100 to 630 circuit breakers with earth-leakage protection

Addition of the Vigi module does not alter circuit-breaker characteristics:

- compliance with standards
- degree of protection, class II front-face insulation
- positive contact indication
- electrical characteristics
- trip-unit characteristics
- installation and connection modes
- indication, measurement and control auxiliaries
- installation and connection accessories.

Dimensions and weights		NSX100/160/250	NSX400/630
Dimensions	3 poles	105 x 236 x 86	135 x 355 x 110
W x H x D (mm)	4 poles	140 x 236 x 86	180 x 355 x 110
Weight (kg)	3 poles	2.5	8.8
	4 poles	3.2	10.8

Vigi earth-leakage protection modules

Compliance with standards

- IEC 60947-2, annex B.
- Decree dated 14 November 1988 (for France).
- IEC 60755, class A, immunity to DC components up to 6 mA
- operation down to -25 °C as per VDE 664.

Remote indications

Vigi modules may be equipped with an auxiliary contact (SDV) to remotely signal tripping due to an earth fault.

Use of 4-pole Vigi module with a 3-pole Compact NSX

In a 3-phase installation with an uninterrupted neutral, an accessory makes it possible to use a 4-pole Vigi module with connection of the neutral cable.

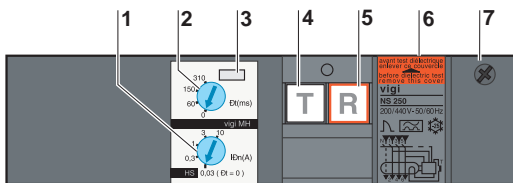
Power supply

Vigi modules are self-supplied internally by the distribution-system voltage and therefore do not require any external source. They continue to function even when supplied by only two phases.

PB103580-36



DB112147



- 1 Sensitivity setting
- 2 Time-delay setting (for selective earth-leakage protection).
- 3 Lead-seal fixture for controlled access to settings.
- 4 Test button simulating an earth-fault for regular checks on the tripping function
- 5 Reset button (reset required after earth-fault tripping).
- 6 Rating plate
- 7 Housing for SDV auxiliary contact.

Plug-in devices

The Vigi module can be installed on a plug-in base. Special accessories are required (see catalogue number chapter).

Vigi module selection

Type	Vigi ME	Vigi MH	Vigi MB
Number of poles	3, 4 ⁽¹⁾	3, 4 ⁽¹⁾	3, 4 ⁽¹⁾
NSX100	■	■	-
NXS160	■	■	-
NSX250	-	■	-
NSX400	-	-	■
NSX630	-	-	■

Protection characteristics			
Sensitivity	fixed	adjustable	adjustable
I Δ n (A)	0.3	0.03 - 0.3 - 1 - 3 - 10	0.3 - 1 - 3 - 10 - 30
Time delay	fixed	adjustable	adjustable
Intentional delay (ms)	< 40	0 - 60 ⁽²⁾ - 150 ⁽²⁾ - 310 ⁽²⁾	0 - 60 - 150 - 310
Max. break time (ms)	< 40	< 40 < 140 < 300 < 800	< 40 < 140 < 300 < 800
Rated voltage V AC 50/60 Hz	200...440	200... 440 - 440...550	200...440 - 440...550

⁽¹⁾ Vigi 3P modules may also be used on 3P circuit breakers used for two-phase protection.

⁽²⁾ If the sensitivity is set to 30 mA, there is no time delay, whatever the time-delay setting.

Operating safety

The Vigi module is a user safety device. It must be tested at regular intervals (every 6 months) via test button.

The parameters to be considered for motor-feeder protection depend on:

- the application (type of machine driven, operating safety, frequency of operation, etc.)
- the level of continuity of service required by the load or the application
- the applicable standards for the protection of life and property.

The required electrical functions are:

- isolation
- switching, generally at high endurance levels
- protection against overloads and short-circuits, adapted to the motor
- additional special protection.

A motor feeder must comply with the requirements of standard IEC 60947-4-1 concerning contactors and their protection:

- coordination of feeder components
- thermal-relay trip classes
- contactor utilisation categories
- coordination of insulation.

Motor-feeder function

A motor feeder comprises a set of devices for motor protection and control, as well as for protection of the feeder itself.

Isolation

The purpose is to isolate the live conductors from the upstream distribution system to enable work by maintenance personnel on the motor feeder at no risk. This function is provided by a motor circuit breaker offering positive contact indication and lockout/tagout possibilities.

Switching

The purpose is to control the motor (ON / OFF), either manually, automatically or remotely, taking into account overloads upon start-up and the long service life required. This function is provided by a contactor. When the coil of the contactor's electromagnet is energised, the contactor closes and establishes, through the poles, the circuit between the upstream supply and the motor, via the circuit breaker.

Basic protection

■ Short-circuit protection

Detection and breaking, as quickly as possible, of high short-circuit currents to avoid damage to the installation. This function is provided by a magnetic or thermal-magnetic circuit breaker.

■ Overload protection

Detection of overload currents and motor shutdown before temperature rise in the motor and conductors damages insulation. This function is provided by a thermal-magnetic circuit breaker or a separate thermal relay.

Overloads: $I < 10 \times I_n$

They are caused by:

- an electrical problem, related to an anomaly in the distribution system (e.g. phase failure, voltage outside tolerances, etc.)
- a mechanical problem, related to a process malfunction (e.g. excessive torque) or damage to the motor (e.g. bearing vibrations).

These two causes will also result in excessively long starting times.

Impedant short-circuits: $10 \times I_n < I < 50 \times I_n$

This type of short-circuit is generally due to deteriorated insulation of motor windings or damaged supply cables.

Short-circuits: $I > 50 \times I_n$

This relatively rare type of fault may be caused by a connection error during maintenance.

■ Phase unbalance or phase loss protection

Phase unbalance or phase loss can cause temperature rise and braking torques that can lead to premature ageing of the motor. These effects are even greater during starting, therefore protection must be virtually immediate.

Additional electronic protection

- Locked rotor
- Under-load
- Long starts and stalled rotor
- Insulation faults.

Motor-feeder solutions

Standard IEC 60947 defines three types of device combinations for the protection of motor feeders.

Three devices

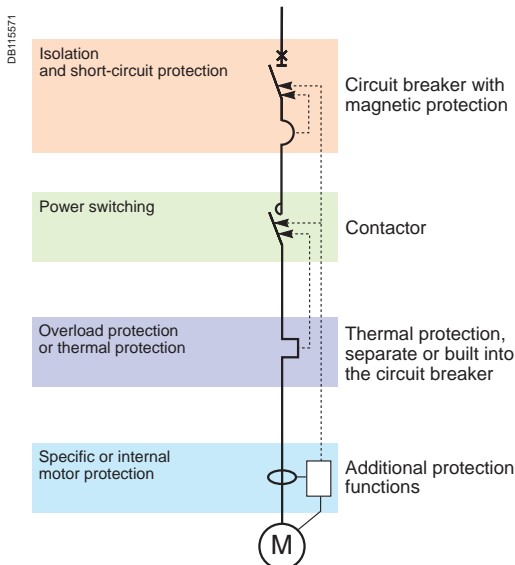
- magnetic circuit breaker + contactor + thermal relay.

Two devices

- thermal-magnetic circuit breaker + contactor.

One device

- thermal-magnetic circuit breaker + contactor in an integrated solution (e.g. Tesys U).



Switchgear functions in a motor feeder.

Device coordination

The various components of a motor feeder must be coordinated. Standard IEC 60947-4-1 defines three types of coordination depending on the operating condition of the devices following a standardised short-circuit test.

Type-1 coordination

- No danger to life or property.
- The contactor and/or the thermal relay may be damaged.
- Repair and replacement of parts may be required prior to further service.

Type-2 coordination

- No danger to life or property.
- No damage or adjustments are allowed. The risk of contact welding is accepted as long as they can be easily separated.
- Isolation must be maintained after the incident, the motor feeder must be suitable for further use without repair or replacement of parts.
- A rapid inspection is sufficient before return to service.

Total coordination

- No damage and no risk of contact welding is allowed for the devices making up the motor feeder. The motor feeder must be suitable for further use without repair or replacement of parts.

This level is provided by integrated 1-device solutions such as Tesys U.

Contactor utilisation categories

For a given motor-feeder solution, the utilisation category determines the contactor withstand capacity in terms of frequency of operation and endurance. Selection, which depends on the operating conditions imposed by the application, may result in oversizing the contactor and circuit-breaker protection. Standard IEC 60947 defines the following contactor utilisation categories.

Contactor utilisation categories (AC current)

Contactor utilisation categories	Type of load	Control function	Typical applications
AC1	Non-inductive ($\cos \varphi \geq 0.8$)	Energising	Heating, distribution
AC2	Slip-ring motor ($\cos \varphi \geq 0.65$)	Starting Switching off motor during running Counter-current braking Inching	Wiring-drawing machine
AC3	Squirrel-cage motor ($\cos \varphi = 0.45$ for ≤ 100 A) ($\cos \varphi = 0.35$ for > 100 A)	Starting Switching off motor during running	Compressors, elevators, pumps, mixers, escalators, fans, conveyer systems, air-conditioning
AC4		Starting Switching off motor during running Regenerative braking Plugging Inching	Printing machines, wire-drawing machines

Utilisation category AC3 - common coordination tables for circuit breakers and contactors

This category covers asynchronous squirrel-cage motors that are switched off during running, which is the most common situation (85 % of cases). The contactor makes the starting current and switches off the rated current at a voltage approximately one sixth of the nominal value. The current is interrupted without difficulty.

The circuit breaker-contactor coordination tables for Compact NSX are for use with contactors in the AC3 utilisation category, in which case they ensure type-2 coordination.

Utilisation category AC4 - possible oversizing

This category covers asynchronous squirrel-cage motors capable of operating under regenerative braking or inching (jogging) conditions

The contactor makes the starting current and can interrupt this current at a voltage that may be equal to that of the distribution system.

These difficult conditions make it necessary to oversize the contactor and, in general, the protective circuit breaker with respect to category AC3.

The trip class determines the trip curve of the thermal protection device (inverse-time curve) for a motor feeder.

Standard IEC 60947-4-1 defines trip classes 5, 10, 20 and 30.

These classes are the maximum durations, in seconds, for motor starting with a starting current of 7.2 I_r, where I_r is the thermal setting indicated on the motor rating plate.

Example: In class 20, the motor must have finished starting within 20 seconds (6 to 20 s) for a starting current of 7.2 I_r.

Standardised values in kW

Rated operational power kW	Standardised values in kW currents I _e (A) for:			
	230 V A	400 V A	500 V A	690 V A
0.06	0.35	0.32	0.16	0.12
0.09	0.52	0.3	0.24	0.17
0.12	0.7	0.44	0.32	0.23
0.18	1	0.6	0.48	0.35
0.25	1.5	0.85	0.68	0.49
0.37	1.9	1.1	0.88	0.64
0.55	2.6	1.5	1.2	0.87
0.75	3.3	1.9	1.5	1.1
1.1	4.7	2.7	2.2	1.6
1.5	6.3	3.6	2.9	2.1
2.2	8.5	4.9	3.9	2.8
3	11.3	6.5	5.2	3.8
4	15	8.5	6.8	4.9
5.5	20	11.5	9.2	6.7
7.5	27	15.5	12.4	8.9
11	38	22	17.6	12.8
15	51	29	23	17
18.5	61	35	28	21
22	72	41	33	24
30	96	55	44	32
37	115	66	53	39
45	140	80	64	47
55	169	97	78	57
75	230	132	106	77
90	278	160	128	93
110	340	195	156	113
132	400	230	184	134
160	487	280	224	162
200	609	350	280	203
250	748	430	344	250
315	940	540	432	313

Trip class of a thermal-protection device

The motor feeder includes thermal protection that may be built into the circuit breaker. The protection must have a trip class suited to motor starting. Depending on the application, the motor starting time varies from a few seconds (no-load start) to a few dozen seconds (high-inertia load).

Standard IEC 60947-4-1 defines the trip classes below as a function of current setting I_r for thermal protection.

Trip class of thermal relays as a function of their I_r setting

Class	1.05 I _r ⁽¹⁾	1.2 I _r ⁽¹⁾	1.5 I _r ⁽²⁾	7.2 I _r ⁽¹⁾
5	t > 2 h	t < 2h	t < 2 mn	2 s < t ≤ 5 s
10	t > 2 h	t < 2h	t < 4 mn	4 s < t ≤ 10 s
20	t > 2 h	t < 2h	t < 8 mn	6 s < t ≤ 20 s
30	t > 2 h	t < 2h	t < 12 mn	9 s < t ≤ 30 s

(1) Time for a cold motor (motor off and cold).

(2) Time for warm motor (motor running under normal conditions).

Currents of squirrel-cage motors at full rated load

Standardised values in HP

Rated operational power hp	Indicative values of the rated operational currents I _e (A) for						
	110 - 120 V	200 V	208 V	220 - 240 V	380 - 415 V	440 - 480 V	550 - 600 V
1/2	4.4	2.5	2.4	2.2	1.3	1.1	0.9
3/4	6.4	3.7	3.5	3.2	1.8	1.6	1.3
1	8.4	4.8	4.6	4.2	2.3	2.1	1.7
1 1/2	12	6.9	6.6	6	3.3	3	2.4
2	13.6	7.8	7.5	6.8	4.3	3.4	2.7
3	19.2	11	10.6	9.6	6.1	4.8	3.9
5	30.4	17.5	16.7	15.2	9.7	7.6	6.1
7 1/2	44	25.3	24.2	22	14	11	9
10	56	32.2	30.8	28	18	14	11
15	84	48.3	46.2	42	27	21	17
20	108	62.1	59.4	54	34	27	22
25	136	78.2	74.8	68	44	34	27
30	160	92	88	80	51	40	32
40	208	120	114	104	66	52	41
50	260	150	143	130	83	65	52
60	-	177	169	154	103	77	62
75	-	221	211	192	128	96	77
100	-	285	273	248	165	124	99
125	-	359	343	312	208	156	125
150	-	414	396	360	240	180	144
200	-	552	528	480	320	240	192
250	-	-	-	604	403	302	242
300	-	-	-	722	482	361	289

Note: 1 hp = 0.7457 kW.

Asynchronous-motor starting parameters

The main parameters of direct on-line starting of three-phase asynchronous motors (90 % of all applications) are listed below.

■ **I_r**: rated current

This is the current drawn by the motor at full rated load (e.g. approximately 100 A rms for 55 kW at 400 V).

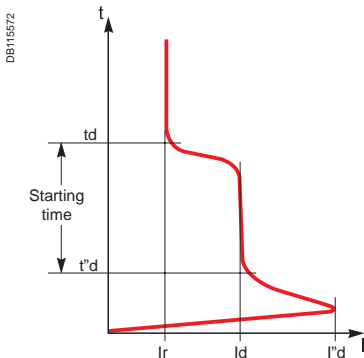
■ **I_d**: starting current

This is the current drawn by the motor during starting, on average 7.2 I_r for a duration t_d of 5 to 30 seconds depending on the application (e.g. 720 A rms for 10 seconds). These values determine the trip class and any additional "long-start" protection devices that may be needed.

■ **I''_d**: peak starting current

This is the subtransient current during the first two half-waves when the system is energised, on the average 14 I_r for 10 to 15 ms (e.g. 1840 A peak).

The protection settings must effectively protect the motor, notably via a suitable thermal-relay trip class, but let the peak starting current through.



Typical motor-starting curve

Compact NSX motor-feeder solutions

Compact NSX motor circuit breakers are designed for motor-feeder solutions using:

- three devices, including an MA or 1.3-M magnetic-only trip unit
- two devices including a TM-D or 2-M thermal-magnetic trip unit.

They are designed for use with contactors in the AC3 utilisation category (80 % of all cases) and they ensure type-2 coordination with the contactor.

For the AC4 utilisation category, the difficult conditions generally make it necessary to oversize the protection circuit breaker with respect to the AC3 category.

Compact NSX motor-protection range





Compact NSX trip units can be used to create motor-feeder solutions comprising two or three devices. The protection devices are designed for continuous duty at 65 °C.

Three-device solutions

- 1 NSX circuit breaker with an MA or Micrologic 1.3-M trip unit
- 1 contactor
- 1 thermal relay.

Two-device solutions

- 1 Compact NSX circuit breaker
 - with a Micrologic 2.2-M or 2.3-M electronic trip unit
 - with a Micrologic 6 E-M electronic trip unit. This version offers additional protection and Power Meter functions.
- 1 contactor.

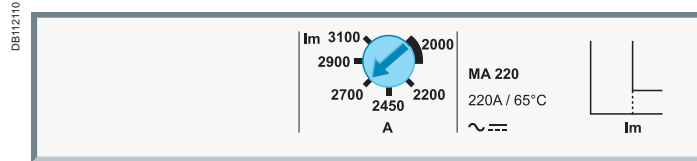
Type of motor protection		3 devices		2 devices		
Compact NSX circuit breaker		NSX100/160/250	NSX400/630	NSX100 to 630		
	Type-2 coordination with	Contactor + thermal relay		Contactor		
Trip unit	Type	MA	Micrologic 1.3-M	Micrologic 2-M	Micrologic 6 E-M	
	Technology	Magnetic	Electronic	Electronic	Electronic	
						
Thermal relay	Separate	■	■			
	Built-in, class	5		■	■	
		10			■	■
		20			■	■
	30				■	
Protection functions of Compact NSX circuit breaker						
Short-circuits		■	■	■	■	
Overloads				■	■	
Insulation faults	Ground-fault				■	
	Phase unbalance			■	■	
Special motor functions	Locked rotor				■	
	Under-load				■	
	Long start				■	
Built-in Power Meter functions						
I, U, energy					■	
Operating assistance						
Counters (cycles, trips, alarms, hours)					■	
Contact-wear indicator					■	
Load profile and thermal image					■	

Motor protection

MA and Micrologic 1.3-M instantaneous trip units

MA magnetic trip units are used in **3-device motor-feeder solutions**. They can be mounted on all Compact NSX100/160/250 circuit breakers with performance levels B/F/H/N/S/L. They provide short-circuit protection for motors up to 110 kW at 400 V.

MA magnetic trip units



Circuit breakers with an MA trip unit are combined with a thermal relay and a contactor or a starter.

Protection

Magnetic protection (I_m)

Short-circuit protection with an adjustable pick-up I_m that initiates instantaneous tripping if exceeded.

- $I_m = I_n \times \dots$ is set on an adjustment dial in multiples of the rating:
 - 6 to 14 x I_n (2.5 to 100 A ratings)
 - 9 to 14 x I_n (150 to 200 A ratings)

Protection version

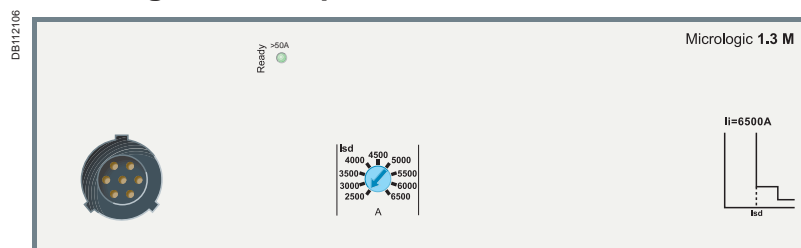
- 3-pole (3P 3D): 3-pole frame (3P) equipped with detection on all 3 poles (3D).

Micrologic 1.3-M trip units are used in **3-device motor-feeder solutions** on Compact NSX400/630 circuit breakers with performance levels B/F/H/N/S/L. They provide short-circuit protection for motors up to 250 kW at 400 V.

They also provide the benefits of electronic technology:

- accurate settings
- tests
- "Ready" LED.

Micrologic 1.3-M trip units



Circuit breakers with a Micrologic 1.3-M trip unit are combined with a thermal relay and a contactor.

Protection

Settings are made using a dial.

Short-circuits: Short-time protection (I_{sd})

Protection with an adjustable pick-up I_{sd} . There is a very short delay to let through motor starting currents.

- I_{sd} is set in amperes from 5 to 13 x I_n , as follows:
 - from 1600 to 4160 A for the 320 A rating.
 - from 2500 to 6500 A for the 500 A rating.

Short-circuits: Non-adjustable instantaneous protection (I_i)

Instantaneous protection with non-adjustable pick-up I_i .

Protection version

- 3-pole (3P 3D): 3-pole frame (3P) equipped with detection on all 3 poles (3D).

Indications

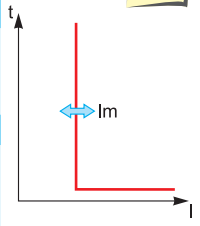
Front indications

- Green "Ready" LED: flashes slowly when the circuit breaker is ready to trip in the event of a fault.

Note: all the trip units have a transparent lead-sealable cover that protects access to the adjustment dials.



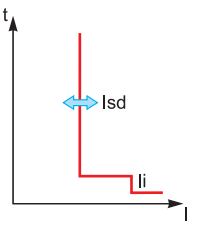
Magnetic trip units		MA 2.5 to 220								
Ratings (A)	In at 65 °C ⁽¹⁾	2.5	6.3	12.5	25	50	100 ⁽¹⁾	150	220	
Circuit breaker	Compact NSX100	■	■	■	■	■	■	-	-	
	Compact NSX160	-	-	-	■	■	■	■	-	
	Compact NSX250	-	-	-	-	-	■	■	■	
Instantaneous magnetic protection										
Pick-up (A) accuracy ±20 %	I_m = I _n x ...	Adjustable from 6 to 14 x I _n (settings 6, 7, 8, 9, 10, 11, 12, 13, 14)						Adjustable from 9 to 14 x I _n (settings 9, 10, 11, 12, 13, 14)		
Time delay (ms)	t _m	fixed								



⁽¹⁾ MA 100 3P adjustable from 6 to 14 x I_n.
MA 100 4P adjustable from 9 to 14 x I_n.



Micrologic 1.3-M		320		500	
Ratings (A)	In at 65 °C ⁽¹⁾				
Circuit breaker	Compact NSX400	■			-
	Compact NSX630	■			■
S Short-time protection					
Pick-up (A) accuracy ±15 %	I_{sd}	Adjustable directly in amps			
		9 settings: 1600, 1920, 2440, 2560, 2880, 3200, 3520, 3840, 4160 A		9 settings: 2500, 3000, 3500, 4000, 4500, 5000, 5500, 6000, 6500 A	
Time delay (ms)	t_{sd}	Non-adjustable			
	Non-tripping time Maximum break time	20 60			
I Instantaneous protection					
Pick-up (A) accuracy ±15 %	I_i non-adjustable	4800		6500	
	Non-tripping time Maximum break time	0 30 ms			

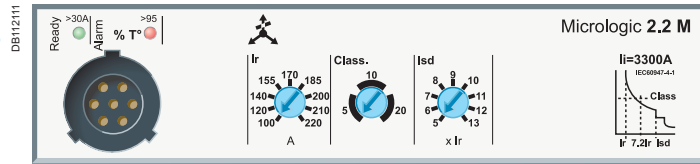


⁽¹⁾ Motor standards require operation at 65 °C. Circuit-breaker ratings are derated to take this requirement into account.

Micrologic 2-M trip units provide built-in thermal and magnetic protection. They are used in **2-device motor-feeder solutions** on Compact NSX100 to 630 circuit breakers with performance levels B/F/H/N/S/L.

They provide protection for motors up to 315 kW at 400 V against:

- short-circuits
- overloads with selection of a trip class (5, 10 or 20)
- phase unbalance.



Circuit breakers with a Micrologic 2.2 / 2.3-M trip unit include protection similar to an inverse-time thermal relay. They are combined with a contactor.

Protection.....

Settings are made using a dial.



Overloads (or thermal protection): Long-time protection and trip class (Ir)

Inverse-time thermal protection against overloads with adjustable pick-up Ir.

Settings are made in amperes. The tripping curve for the long-time protection, which indicates the time delay t_r before tripping, is defined by the selected trip class.

Trip class (class)

The class is selected as a function of the normal motor starting time.

- Class 5: starting time less than 5 s
- Class 10: starting time less than 10 s
- Class 20: starting time less than 20 s

For a given class, it is necessary to check that all motor-feeder components are sized to carry the 7.2 Ir starting current without excessive temperature rise during the time corresponding to the class.

Short-circuits: Short-time protection (Isd)

Protection with an adjustable pick-up Isd. There is a very short delay to let through motor starting currents.

Short-circuits: Non-adjustable instantaneous protection (Ii)

Instantaneous protection with non-adjustable pick-up Ii.

Phase unbalance or phase loss (Iunbal) (⚡)

This function opens the circuit breaker if a phase unbalance occurs:

- that is greater than the 30% fixed pick-up Iunbal
- following the non-adjustable time delay tunbal equal to:
 - 0.7 s during starting
 - 4 s during normal operation.

Phase loss is an extreme case of phase unbalance and leads to tripping under the same conditions.

Indications



Front indications

- Green "Ready" LED: flashes slowly when the circuit breaker is ready to trip in the event of a fault.
- Red alarm LED for motor operation: goes ON when the thermal image of the rotor and stator is greater than 95% of the permissible temperature rise.

Remote indications via SDTAM module

Compact NSX devices with a Micrologic 2 can be equipped with an SDTAM module dedicated to motor applications for:

- a contact to indicate circuit-breaker overload
- a contact to open the contactor. In the event of a phase unbalance or overload, this output is activated 400 ms before circuit-breaker tripping to open the contactor and avoid circuit breaker tripping.

This module takes the place of the MN/MX coils and an OF contact.

PB103376



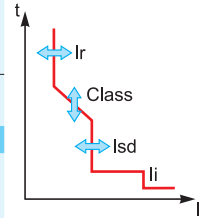
SDTAM remote indication relay module with its terminal block.

Note: all the trip units have a transparent lead-sealable cover that protects access to the adjustment dials.



Micrologic 2.2 / 2.3-M

Ratings (A)	In at 65 °C (1)	25	50	100	150	220	320	500
Circuit breaker	Compact NSX100	■	■	■	-	-	-	-
	Compact NSX160	■	■	■	■	-	-	-
	Compact NSX250	■	■	■	■	■	-	-
	Compact NSX400	-	-	-	-	-	■	-
	Compact NSX630	-	-	-	-	-	■	■



L Overloads (or thermal protection): Long-time protection and trip class

Pick-up (A) tripping between 1.05 and 1.20 Ir	Ir	value depending on trip unit rating (In) and setting on dial									
In = 25 A	Ir =	12	14	16	18	20	22	23	24	25	
In = 50 A	Ir =	25	30	32	36	40	42	45	47	50	
In = 100 A	Ir =	50	60	70	75	80	85	90	95	100	
In = 150 A	Ir =	70	80	90	100	110	120	130	140	150	
In = 220 A	Ir =	100	120	140	155	170	185	200	210	220	
In = 320 A	Ir =	160	180	200	220	240	260	280	300	320	
In = 500 A	Ir =	250	280	320	350	380	400	440	470	500	

Trip class as per IEC 60947-4-1: 5, 10, 20

Time delay (s) depending on selected trip class	tr	1.5 x Ir	120	240	480	for warm motor				
		6 x Ir	6.5	13.5	26	for cold motor				
		7.2 x Ir	5	10	20	for cold motor				

Thermal memory: 20 minutes before and after tripping

Cooling fan: non-adjustable - motor self-cooled

S₀ Short-circuits: Short-time protection with fixed time delay

Pick-up (A) accuracy ±15 %	Isd = Ir x ...	5	6	7	8	9	10	11	12	13	
Time delay (ms)	tsd	non-adjustable									
	Non-tripping time	20									
	Maximum break time	60									

I Short-circuits: Non-adjustable instantaneous protection

Pick-up (A) accuracy ±15 %	Ii non-adjustable	425	750	1500	2250	3300	4800	6500	
Time delay (ms)	Non-tripping time	0							
	Maximum break time	30							

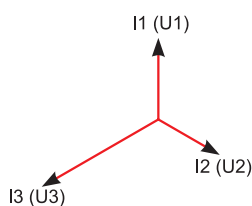
Phase unbalance or phase loss

Pick-up (A) accuracy ±20 %	Iunbal in % average current (2)	> 30 %
Time delay (s)	non-adjustable	0.7 s during starting 4 s during normal operation

(1) Motor standards require operation at 65°C. Circuit-breaker ratings are derated to take this requirement into account.

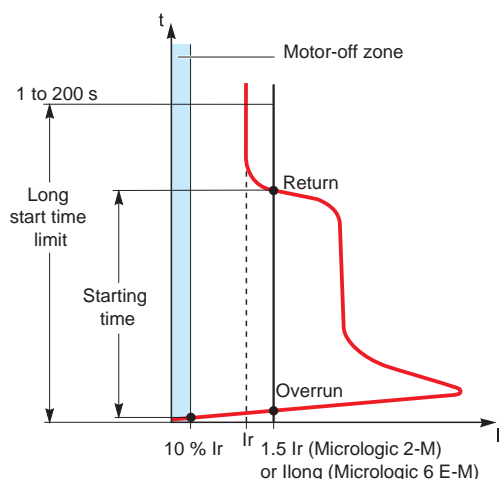
(2) The unbalance measurement takes into account the most unbalanced phase with respect to the average current.

DB112114



Unbalance of phase currents and voltages

DB115573



Motor starting and long starts

Additional technical characteristics

Phase unbalance

An unbalance in three-phase systems occurs when the three voltages are not equal in amplitude and/or not displaced 120° with respect to each other. It is generally due to single-phase loads that are incorrectly distributed throughout the system and unbalance the voltages between the phases.

These unbalances create negative current components that cause braking torques and temperature rise in asynchronous machines, thus leading to premature ageing.

Phase loss

Phase loss is a special case of phase unbalance.

■ During normal operation, it produces the effects mentioned above and tripping must occur after four seconds.

■ During starting, the absence of a phase may cause motor reversing, i.e. it is the load that determines the direction of rotation. This requires virtually immediate tripping (0.7 seconds).

Starting time in compliance with the class (Micrologic 2-M)

For normal motor starting, Micrologic 2-M checks the conditions below with respect to the thermal-protection (long-time) pick-up Ir:

■ current > 10 % x Ir (motor-off limit)

■ overrun of 1.5 x Ir threshold, then return below this threshold before the end of a 10 s time delay.

If either of these conditions is not met, the thermal protection trips the device after a maximum time equal to that of the selected class.

Pick-up Ir must have been set to the current indicated on the motor rating plate.

Long starts (Micrologic 6 E-M)

When this function is not activated, the starting conditions are those indicated above.

When it is activated, this protection supplements thermal protection (class).

A long start causes tripping and is characterised by:

■ current > 10 % x Ir (motor-off limit) with:

■ either overrun of the long-time pick-up (1 to 8 x Ir) without return below the pick-up before the end of the long-time time delay (1 to 200 s)

■ or no overrun of the long-time pick-up (1 to 8 x Ir) before the end of the long-time time delay (1 to 200 s).

Pick-up Ir must have been set to the current indicated on the motor rating plate.

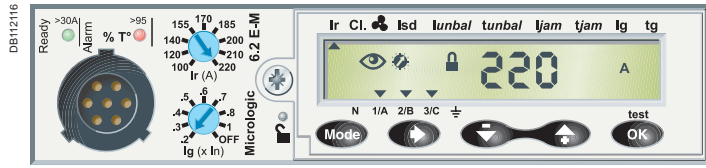
This protection should be coordinated with the selected class.

Micrologic 6.E-M is used in **2-device motor-feeder solutions**.

It provides the same protection as Micrologic 2-M:

- short-circuits
- overloads with selection of the same trip classes (5, 10 or 20), plus trip class 30 for starting of machines with high inertia.

In addition, it offers specific motor-protection functions that can be set via the keypad.



Protection

The protection functions are identical to those of Micrologic 2-M and can be fine-adjusted via the keypad.

Access to setting modifications via the keypad is protected by a locking function that is controlled by a microswitch. The lock is activated automatically if the keypad is not used for 5 minutes. Access to the microswitch is protected by a transparent lead-sealable cover. It is possible to scroll through settings and measurements with the cover closed.

Overloads (or thermal), class and short-circuits

The long-time, short-time and instantaneous functions are identical to those of Micrologic 2-M.

In addition, there is trip class 30 for long-time protection and a setting for self-cooled or fan-cooled motors.

Ground-fault protection (lg)

Residual type ground-fault protection with an adjustable pick-up **lg** (with Off position) and adjustable time delay **tg**.

Phase unbalance or phase loss (lunbal)

This function opens the circuit breaker if a phase unbalance occurs:

- that is greater than the **lunbal** pick-up that can be fine-adjusted from 10 to 40 % (30 % by default)
- following the **tunbal** time delay that is:
 - 0.7 s during starting
 - adjustable from 1 to 10 seconds (4 seconds by default) during normal operation.

Phase loss is an extreme case of phase unbalance and leads to tripping under the same conditions.

Locked rotor (ljam)

This function detects locking of the motor shaft caused by the load.

During motor starting (see page A-43), the function is disabled.

During normal operation, it causes tripping:

- above the **ljam** pick-up that can be fine-adjusted from 1 to 8 x Ir
- in conjunction with the **tjam** time delay that can be adjusted from 1 to 30 seconds.

Under-load (lund)

This function detects motor no-load operation due to insufficient load (e.g. a drained pump). It detects phase undercurrent.

During motor starting (see page A-43), the function is always enabled.

During normal operation, it causes tripping:

- below the **lund** pick-up that can be fine-adjusted from 0.3 to 0.9 x Ir
- in conjunction with the **tund** time delay that can be adjusted from 1 to 200 seconds.

Long starts (llong)

This protection supplements thermal protection (class).

It is used to better adjust protection to the starting parameters.

It detects abnormal motor starting, i.e. when the starting current remains too high or too low with respect to a pick-up value and a time delay.

It causes tripping:

- in relation with a **llong** pick-up that can be fine-adjusted from 1 to 8 x Ir
- in conjunction with the **tlong** time delay that can be adjusted from 1 to 200 seconds.

(see "long starts" page A-43)

Display of type of fault

On a fault trip, the type of fault (Ir, Isd, li, lg, lunbal, ljam), the phase concerned and the interrupted current are displayed.

Indications

Front indications

- Green "Ready" LED: flashes slowly when the circuit breaker is ready to trip in the event of a fault.
- Red alarm LED for motor operation: goes ON when the thermal image of the rotor or stator is greater than 95% of the permissible temperature rise.

Remote indications via SDTAM or SDx module

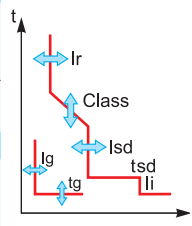
See description on page A-42 for SDTAM and page A-81 for SDx.

PB103376



SDTAM remote indication relay module with its terminal block.

Note: all the trip units have a transparent lead-sealable cover that protects access to the adjustment dials.



Micrologic 6.2 / 6.3 E-M

Ratings (A)	In at 65 °C ⁽¹⁾	25	50	80	150	220	320	500
Circuit breaker	Compact NSX100	■	■	■	-	-	-	-
	Compact NSX160	■	■	■	■	-	-	-
	Compact NSX250	■	■	■	■	■	-	-
	Compact NSX400	-	-	-	-	-	■	-
	Compact NSX630	-	-	-	-	-	■	■

L Overloads: Long-time protection

Pick-up (A)	Ir	Dial setting	Value depending on trip-unit rating (In) and setting on dial									
Tripping between 1.05 and 1.20 Ir	In = 25 A	Ir =	12	14	16	18	20	22	23	24	25	
	In = 50 A	Ir =	25	30	32	36	40	42	45	47	50	
	In = 80 A	Ir =	35	42	47	52	57	60	65	72	80	
	In = 150 A	Ir =	70	80	90	100	110	120	130	140	150	
	In = 220 A	Ir =	100	120	140	155	170	185	200	210	220	
	In = 320 A	Ir =	160	180	200	220	240	260	280	300	320	
	In = 500 A	Ir =	250	280	320	350	380	400	440	470	500	
		Keypad setting	Fine adjustments in 1 A steps below maximum value defined by dial setting									

Trip class as per IEC 60947-4-1		5	10	20	30
---------------------------------	--	---	----	----	----

Time delay (s)	tr	1.5 x Ir	120	240	480	720	for warm motor			
depending on selected trip class		6 x Ir	6.5	13.5	26	38	for cold motor			
		7.2 x Ir	5	10	20	30	for cold motor			

Thermal memory		20 minutes before and after tripping								
----------------	--	--------------------------------------	--	--	--	--	--	--	--	--

Cooling fan		Settings for self-cooled or fan-cooled motors								
-------------	--	---	--	--	--	--	--	--	--	--

S₀ Short-circuits: Short-time protection with fixed time delay

Pick-up (A)	Isd = Ir x ...	5	6	7	8	9	10	11	12	13
accuracy ±15 %		Fine adjustment in 0.5 x Ir steps using the keypad								
Time delay	tsd	non-adjustable								
	Non-tripping time	20 ms								
	Maximum break time	60 ms								

I Short-circuits: Non-adjustable instantaneous protection

Pick-up (A)	Ii non-adjustable	425	750	1200	2250	3300	4800	6500	
accuracy ±15 %	Non-tripping time	0 ms							
	Maximum break time	30 ms							

G Ground faults

Pick-up (A)	Ig = In x ...	Dial setting										
accuracy ±10 %	In = 25 A	Ig =	0.6	0.6	0.6	0.6	0.7	0.8	0.9	1	Off	
	In = 50 A	Ig =	0.3	0.4	0.5	0.6	0.7	0.8	0.9	1	Off	
	In > 50 A	Ig =	0.2	0.3	0.4	0.5	0.6	0.7	0.8	1	Off	
			fine adjustments in 0.05 x In steps									
Time delay (ms)	tg	0	0.1	0.2	0.3	0.4						
	Non-tripping time	20	80	140	230	350						
	Maximum break time	80	140	200	320	500						

Phase unbalance or phase loss

Pick-up (A)	Iunbal = in % average current ⁽²⁾	adjustable from 10 to 40 %, default setting = 30 %
accuracy ±20 %		fine adjustments in 1 % steps using the keypad activated during motor starting
Time delay (s)	tunbal	0.7 s during starting
		1 to 10 seconds during normal operation, default setting = 4 seconds fine adjustments in 1 s steps using the keypad

Locked rotor

Pick-up (A)	Ijam = Ir x ...	1 x 8 Ir with Off position, default setting = Off
accuracy ±10 %		fine adjustments in 0.1 x Ir steps using the keypad disabled during motor starting
Time delay (s)	tjam =	1 to 30 seconds
		fine adjustments in 1 s steps using the keypad, default setting = 5 s

Under-load (under-current)

Pick-up (A)	Iund = Ir x ...	0.3 x 0.9 Ir with Off position, default setting = Off
accuracy ±10 %		Fine adjustments in Ir x 0.01 steps using the RSU software activated during motor starting
Time delay (s)	tund =	1 to 200 seconds
		fine adjustments in 1 s steps using the RSU software, default setting = 10 s

Long starts

Pick-up (A)	Ilong = Ir x ...	1 x 8 Ir with Off position, default setting = Off
accuracy ±10 %		Fine adjustments in Ir x 0.1 steps using the RSU software activated during motor starting
Time delay (s)	tlong =	1 to 200 seconds
		fine adjustments in 1 s steps using the RSU software, default setting = 10 s

(1) Motor standards require operation at 65 °C. Circuit-breaker ratings are derated to take this requirement into account.

(2) The unbalance measurement takes into account the most unbalanced phase with respect to the average current.

Micrologic 6 E-M provides Power Meter functions with energy metering. With the FDM121 display unit, all metering data and operating indicators are available on the switchboard front panel. This version also displays the thermal image of the motor.

Power Meter functions

The built-in Power Meter functions of the Micrologic 6 E-M are the same as those for the Micrologic 6-E presented in the section on distribution (see page A-20). When used exclusively in the three-phase version, neutral measurements are excluded.

Operating-assistance functions

The operating-assistance functions of the Micrologic 6 E-M are the same as those for the Micrologic 6-E presented in the section on distribution (see page A-22).

Special functions for motor feeders

Additional operating functions specifically for motor feeders are available.

Phase sequence

The order in which the phases L1, L2, L3 are connected determines the direction of motor rotation. If two phases are inverted, the direction is reversed. Information on the direction of rotation is provided. It can be linked to an alarm to detect an inversion in the direction following servicing on the supply under de-energised conditions and disable restarting.

Thermal image of the rotor and stator

Micrologic 6 E-M offers a thermal-image function.

Taking into account the Ir setting and the class, an algorithm simulates rotor and stator temperature rise. It includes the slow temperature rise of the stator and its metal mass. Also included is the faster temperature rise of the copper rotor.

The thermal protection function trips the circuit breaker when the calculated thermal image reaches 100 % of the permissible temperature rise.

The communication indicates the thermal-image value as a percentage of the permissible temperature rise. One or more alarms may be assigned to selected thresholds. A red LED on the front signals when the value exceeds 95 %.

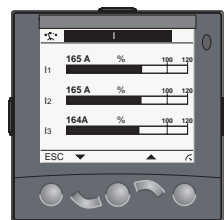
An SDx module with two outputs programmed for thermal-image values can be used to implement other alarm functions.

PB103365



Micrologic 6 E-M.

DB111404



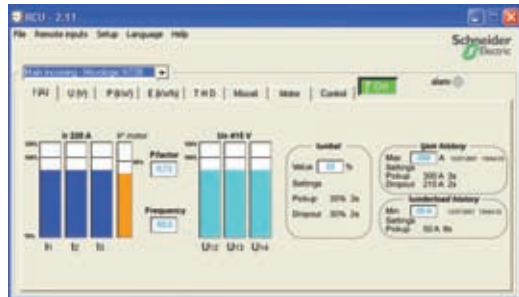
Current values.

DB111405



Thermal-image alarm.

DB116726



PC screen with motor thermal image and value monitoring.

The additional technical characteristics are identical to those of Micrologic 6-E (see pages A-21 and A-23).



Micrologic 6 E-M integrated Power Meter and operating-assistance functions			Display	
			Micrologic LCD	FDM121 display
Measurements				
Instantaneous rms measurements				
Currents (A)	Phase currents and average value	I_1, I_2, I_3 and $I_{avg} = (I_1 + I_2 + I_3) / 3$	■	■
	Highest current of the 3 phases	I_{max} of I_1, I_2, I_3	■	■
	Ground-fault protection	% I_g (pick-up setting)	■	■
	Current unbalance between phases	% I_{avg}	-	■
Voltages (V)	Phase-to-phase voltages and average value	U_{12}, U_{23}, U_{31} and $U_{avg} = (U_{12} + U_{21} + U_{23}) / 3$	■	■
	Unbalance between phase-to-phase voltages	% U_{avg}	-	■
	Phase sequence	1-2-3, 1-3-2	■	-
Frequency (Hz)	Power system	F	■	■
Power	Active (kW), reactive (kVAR), apparent (kVA)	P, Q, S total and per phase	-	■
	Power factor and $\cos \varphi$ (fundamental)	PF, $\cos \varphi$, total and per phase	-	■
Maximeters / minimeters	Associated with instantaneous rms measurements	Reset via Micrologic and the display unit	-	■
Energy metering				
Energy	Active (kWh), reactive (kVARh), apparent (kVAh)	Total since last reset Absolute or signed mode ⁽¹⁾	■	■
Demand and maximum demand values				
Demand current (A)	Phases	Present value on the selected window	-	(2)
		Maximum demand since last reset	-	(2)
Demand power	Active (kWh), reactive (kVARh), apparent (kVAh)	Present value on the selected window	-	(2)
		Maximum demand since last reset	-	(2)
Calculation window	Sliding, fixed or com-synchronised	Adjustable from 5 to 60 minutes in 1 minute steps	-	(2)
		Absolute or signed mode ⁽¹⁾	-	(2)
Power quality				
Total harmonic distortion (%)	Of voltage with respect to rms value	THDU, THDV of the Ph-Ph and Ph-N voltage	-	■
	Of current with respect to rms value	THDI of the phase current	-	■
Operating assistance				
Personalised alarms				
Settings	Up to 10 alarms can be assigned to all measurements and events as well as to phase lead/lag, four quadrants, phase sequence and thermal image		-	(2)
Time-stamped histories				
Trips	last 17	$I_r, I_{sd}, I_i, I_g, I_{unbal}, I_{jam}, I_{und}, I_{long}$	-	(2)
Alarms	last 10		-	(2)
Operating events	last 10 events and type:	Modification of protection setting by dial	-	(2)
		Opening of keypad lock	-	(2)
		Test via keypad	-	(2)
		Test via external tool	-	(2)
		Time setting (date and time)	-	(2)
		Reset for maximeter/minimeter and energy meter	■	(2)
Time stamping	Presentation	Date and time, text, status	-	(2)
Time-stamped event tables				
Protection settings	One of the following settings modified	$I_r, t_r, I_{sd}, t_{sd}, I_i, I_g, t_g$	-	(2)
	Time-stamping of modification	Date and time of modification	-	(2)
	Previous value	Value before modification	-	(2)
Min/Max	Value monitored	$I_1, I_2, I_3, U_{12}, U_{23}, U_{31}, f$	-	(2)
	Time-stamping of min/max value	Date and time of record	-	(2)
	Present min/max value	Min/max recorded for the value	-	(2)
Maintenance indicators				
Counter	Mechanical cycles ⁽³⁾	Assignable to an alarm	-	(2)
	Electrical cycles ⁽³⁾	Assignable to an alarm	-	(2)
	Trips	One per type of trip	-	(2)
	Alarms	One for each type of alarm	-	(2)
	Hours	Total operating time (hours)	-	(2)
Indicator	Contact wear	%	-	■
Load profile	Hours at different load levels	% of hours in four current ranges: 0-49 % I_n , 50-79 % I_n , 80-89 % I_n , ≥ 90 % I_n	-	(2)
Thermal image	Stator and rotor	% of permissible temperature rise	-	(2)

(1) Absolute mode: $E_{absolute} = E_{out} + E_{in}$; Signed mode: $E_{signed} = E_{out} - E_{in}$.

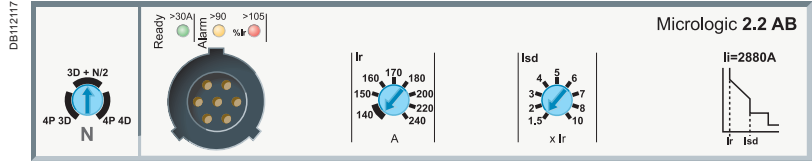
(2) Available via communication system.

(3) The BSCM module (page A-27) is required for these functions.

Special applications

Protection of public distribution systems with Micrologic 2-AB

Micrologic AB trip units are used in public distribution systems to limit the current supplied according to the consumer's contract. They are available in 100, 160, 240 and 400 A ratings and are supplied with a lead-seal device to protect the settings.



058650-33



INV switch-disconnector with visible break.

PB103266-35



Compact NSX with Micrologic 2-AB.

PB103377



SDx remote indication relay module with its terminal block.

Compact NSX circuit breakers equipped with Micrologic AB trip units are installed as incoming devices for consumer installations connected to the public LV distribution system.

With respect to the utility, they have two functions.

- Consumption is limited to the contractual power level. If the limit is exceeded, a fast thermal-protection function trips the device at the head of the consumer's installation without the utility having to intervene.
 - Total discrimination is ensured with the upstream fuses on the public distribution system in the event of a fault, overload or short-circuit in the consumer's installation, protecting the utility line.
- In addition, they provide the consumer with:
- protection for the installation as a whole, with the possibility of adding a Vigì earth-leakage protection module
 - the possibility of downstream discrimination.

This type of Compact NSX is often used in conjunction with an Interpact INV switch-disconnector located outside the consumer's building and providing the visible-break function.

This means the operator can directly see, through a transparent cover, the physical separation of the main contacts. The Interpact INV range is also suitable for isolation with positive contact indication.

This means utility operators can work on the service-connection unit after isolating it from the upstream line.

Protection

Settings are made using the adjustment dials with fine-adjustment possibilities and a lead-seal fixture.

Overloads: Long-time protection (Ir)

Inverse-time thermal protection against overloads with an adjustable current pick-up Ir and a very short, non-adjustable time delay tr (15 seconds for 1.5 x Ir).

Short-circuits: Short-time protection (Isd) with fixed time delay

Short-circuit protection with an adjustable pick-up Isd. The short-time pick-up values are high enough to avoid nuisance tripping in the event of transient current spikes.

Short-circuits: Non-adjustable instantaneous protection

Instantaneous short-circuit protection with a fixed pick-up.

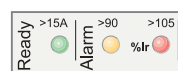
Neutral protection

Available on four-pole circuit breakers only. Neutral protection may be set using a three-position switch:

- 4P 3D: neutral unprotected
- 4P 3D + N/2: neutral protection at half the value of the phase pick-up, i.e. 0.5 x Ir
- 4P 4D: neutral fully protected at Ir.

Indications

Front indications



- Green "Ready" LED: flashes slowly when the circuit breaker is ready to trip in the event of a fault.
- Orange overload pre-alarm LED: steady on when $I > 90\% I_r$
- Red overload LED: steady on when $I > 105\% I_r$

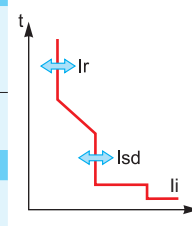
Remote indications

An SDx relay module installed inside the circuit breaker can be used to remote the overload-trip signal. This module receives the signal from the Micrologic electronic trip unit via an optical link and makes it available on the terminal block. The signal is cleared when the circuit breaker is closed.

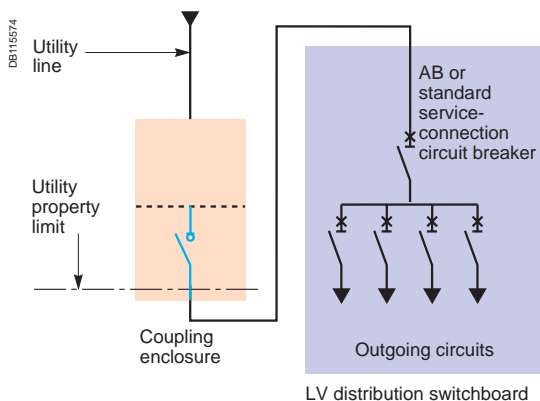
The module is described in detail in the section dealing with accessories [page A-81](#).

Micrologic 2.2 / 2.3-AB

Ratings (A)	In at 40°C ⁽¹⁾	100	160	240	400					
Circuit breaker	Compact NSX100	■	-	-	-					
	Compact NSX160	■	■	-	-					
	Compact NSX250	■	■	■	-					
	Compact NSX400	-	-	-	■					
	Compact NSX630	-	-	-	■					
L Long-time protection										
Pick-up (A) tripping between 1.05 and 1.20 Ir	Ir	value depending on trip unit rating (In) and setting on dial								
	In = 100 A	Ir = 40	40	50	60	70	80	90	100	
	In = 160 A	Ir = 90	100	110	120	130	140	150	160	
	In = 240 A	Ir = 140	150	160	170	180	200	220	240	
	In = 400 A	Ir = 260	280	300	320	340	360	380	400	
Time delay (s)	tr	non-adjustable								
		1.5 Ir	15							
		6 Ir	0.5							
	7.2 Ir	0.35								
Thermal memory	20 minutes before and after tripping									
S₀ Short-time protection with fixed time delay										
Pick-up (A) accuracy ±10 %	Isd = Ir x ...	1.5	2	3	4	5	6	7	8	10
Time delay (ms)	tsd	non-adjustable: 20								
		Non-tripping time	20							
		Maximum break time	80							
I Non-adjustable instantaneous protection										
Pick-up (A) accuracy ±15 %	Ii non-adjustable	1500	1600	2880	4800					
Time delay (ms)	Non-tripping time	10								
	Maximum break time	50								



(1) If the trip units are used in high-temperature environments, the Micrologic setting must take into account the thermal limitations of the circuit breaker. See the temperature derating table.



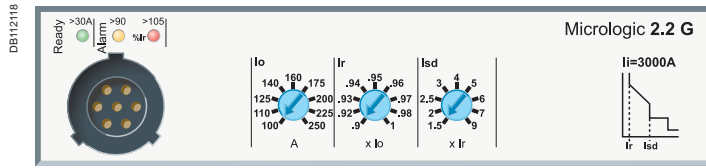
Consumer connection diagram.

Technical details

Advantages of the AB trip unit

- Controls the power drawn with respect to contractual power levels. If the contractual level is overrun, the circuit breaker opens and the consumer is not billed excess costs.
- If a short-circuit occurs, the circuit breaker opens and the upstream HRC fuses on utility lines are not affected. No expensive utility servicing is billed to the consumer.

Micrologic G trip units are used for the protection of systems supplied by generators or comprising long cable lengths. They can be mounted on all Compact NSX100/160/250 circuit breakers. With extensive setting possibilities, Micrologic 5 offers the same functions from 100 to 630 A. A thermal-magnetic trip unit is also available for the NSX100 to 250 (see page A-15).



Circuit breakers equipped with Micrologic G trip units protect systems supplied by generators (lower short-circuit currents than with transformers) and distribution systems with long cable lengths (fault currents limited by the impedance of the cable).

Protection

Settings are made using the adjustment dials with fine adjustment possibilities.

Overloads: Long-time protection (Ir)

Inverse-time thermal protection against overloads with an adjustable current pick-up Ir and a very short, non-adjustable time delay tr (15 seconds for 1.5 x Ir).

Short-circuits: Short-time protection (Isd) with fixed time delay

Short-circuit protection with an adjustable pick-up Isd, delayed 200 ms, in compliance with the requirements of marine classification companies.

Short-circuits: Non-adjustable instantaneous protection (Ii)

Instantaneous short-circuit protection with a fixed pick-up required for generator protection.

Neutral protection

- On 3-pole circuit breakers, neutral protection is not possible.
- On four-pole circuit breakers, neutral protection may be set using a three-position switch:
 - 4P 3D: neutral unprotected
 - 4P 3D + N/2: neutral protection at half the value of the phase pick-up, i.e. 0.5 x Ir
 - 4P 4D: neutral fully protected at Ir.

Indications

Front indications



- Green "Ready" LED: flashes slowly when the circuit breaker is ready to trip in the event of a fault.
- Orange overload pre-alarm LED: steady on when I > 90 % Ir
- Red overload LED: steady on when I > 105 % Ir

Remote indications

An SDx relay module installed inside the circuit breaker can be used to remote the overload-trip signal. This module receives the signal from the Micrologic electronic trip unit via an optical link and makes it available on the terminal block. The signal is cleared when the circuit breaker is closed. The module is described in detail in the section dealing with accessories.

PB103377

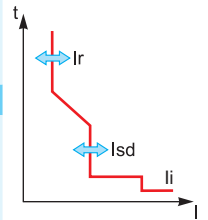


SDx remote indication relay module with its terminal block.



Micrologic 2.2-G

Ratings (A)	In at 40°C ⁽¹⁾	40	100	160	250
Circuit breaker	Compact NSX100	■	■	-	-
	Compact NSX160	■	■	■	-
	Compact NSX250	■	■	■	■



L Long-time protection

Pick-up (A) tripping between 1.05 and 1.20 I _r	I _o	value depending on trip unit rating (I _n) and setting on dial									
I _n = 40 A	I _o =	18	18	20	23	25	28	32	36	40	
I _n = 100 A	I _o =	40	45	50	55	63	70	80	90	100	
I _n = 160 A	I _o =	63	70	80	90	100	110	125	150	160	
I _n = 250 A (NSX250)	I _o =	100	110	125	140	150	176	200	225	250	

I_r = I_o x ... 9 fine-adjustment settings from 0.9 to 1 for each I_o value

Time delay (s) accuracy 0 to -20%	t _r	non-adjustable
	1.5 x I _r	15
	6 x I _r	0.5
	7.2 x I _r	0.35

Thermal memory 20 minutes before and after tripping

S₀ Short-time protection with fixed time delay

Pick-up (A) accuracy ±10 %	I _{sd} = I _r x ...	1.5	2	2.5	3	4	5	6	7	8	9
Time delay (ms)	t _{sd}	non-adjustable									
	Non-tripping time	140									
	Maximum break time	200									

I Non-adjustable instantaneous protection

Pick-up (A) accuracy ±15 %	I _i non-adjustable	600	1500	2400	3000
	Non-tripping time	15 ms			
	Maximum break time	50 ms			

⁽¹⁾ If the trip units are used in high-temperature environments, the Micrologic setting must take into account the thermal limitations of the circuit breaker. See the temperature derating table.

Compact NSX circuit breakers are also used in industrial control panels. They serve as an incoming devices or can be combined with contactors to protect motor feeders:

- compliance with worldwide standards including IEC 60947-2 and UL 508 / CSA 22-2 no. 14
- overload and short-circuit protection
- isolation with positive contact indication, making it possible to service machines safely by isolating them from all power sources
- installation in universal and functional type enclosures
- NA switch-disconnector version.

Industrial control panels

Compact NSX circuit breakers equipped for public distribution or motor protection functions as described in the previous pages can be used in industrial control panels. The accessories for the Compact NSX range are suitable for the special needs of these switchboards.

Auxiliaries

All auxiliaries can be added to the circuit breaker by the user:

- padlocking devices (in the OFF position)
- rotary handle
- status-indication auxiliary contacts (ON, OFF and tripped)
- shunt (MX) or undervoltage (MN) releases
- early-make or early-break contacts.

Rotary handle

Direct or extended versions for mounting up to 600 mm behind the front:

- black front with black handle
- yellow front with red handle (for machine tools or emergency off as per IEC 204 / VDE 0013).

All rotary handles can be padlocked in the OFF position. Optional door interlock, recommended for MCC panels (motor control centres).

When the device is equipped with an extended rotary handle, a control accessory mounted on the shaft makes it possible to operate the device with the door open. The device can be padlocked in the OFF position in compliance with UL508.

Early-make or early-break contacts

These contacts can be used respectively to supply an MN undervoltage release before the circuit breaker closes or to open the contactor control circuit before the circuit breaker opens.

Special functions

- Indication of thermal overloads with the SDx module.
- Early opening of the contactor for overload faults with the SDTAM module.
- Links with PLCs via the communication system.
- Measurement of all electrical parameters with Micrologic A and E.
- Programmable alarms with Micrologic 5 and 6.

Installation in enclosures

Compact circuit breakers can be installed in a metal enclosure together with other devices (contactors, motor-protection circuit breakers, LEDs, etc.) (see page A-90).

Compliance with North American industrial control equipment standards

Compact NSX devices have received UL508 / CSA 22-2 no. 14 approval for industrial control equipment of the "Manual Motor Controller", "Across the Line Starter", "General Use" and "Disconnecting Means" types.

Type NA devices are switch-disconnectors that must always be protected upstream.

UL508 approval

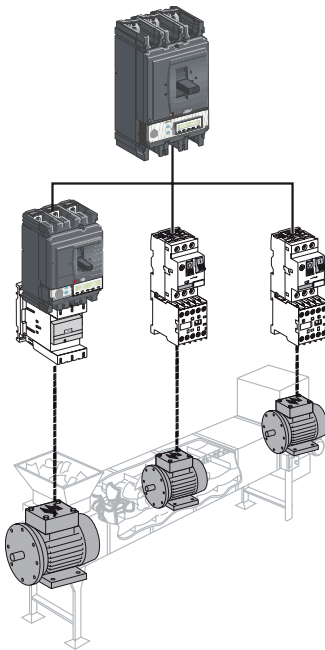
Circuit breakers	Trip units	Approvals
Compact NSX100 to 630 F/N/H	TMD, Micrologic 2, 5 and 6	General Use Motor Disconnecting Means
	NA, MA, Micrologic 1.3 M, 2.2 M, 2.3 M, Micrologic 6.2 E-M and 6.3 E-M	Manual Motor Controller Across the Line Starter Motor Disconnecting Means

Table of 3-phase motor ratings in hp (1 hp = 0.7457 kW)

V AC ratings		115	230	460	575
TMD Micrologic 2, 5 and 6	NA, MA Micrologic 1.3 M, 2.2 M, 2.3 M Micrologic 6.2 E-M and 6.3 E-M				
25	25	3	7.5	15	20
50	50	7.5	15	30	40
100	100	15	30	75	100
160	150	25	50	100	150
250	220	40	75	150	200
400	320	-	125	250	300
550	500	-	150	350	500

The deratings indicated on pages B-8 and B-9 apply to TMD, Micrologic 2, 5 and 6 trip units, rated at 40 °C.

DB115233



DB115234



16 Hz 2/3 network protection

Micrologic 5 A-Z trip unit

Compact NSX circuit breakers may be used on 16 Hz 2/3 systems with special thermal-magnetic and electronic (Micrologic 5 A-Z) trip units.

16 Hz 2/3 networks

Single-phase distribution networks with a frequency of 16 Hz 2/3 are used for railroad applications in certain European countries.

Breaking capacity for 16 Hz 2/3 at 250/500 V

Compact NSX circuit breakers of the 3P 2D or the 3P 3D type protect 16 Hz 2/3 networks at 250 V or 500 V.

They can be equipped with either:

- a TM-D thermal-magnetic trip unit for Compact NSX100 to 250
- or an electronic Micrologic 5.2 A-Z trip unit for Compact NSX100 to 250 or a 5.3 A-Z for Compact NSX400/630.

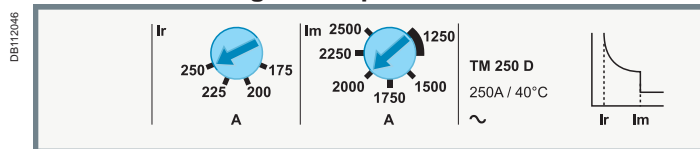
The possible breaking-capacity performance levels are B, F, N and H as indicated below.

Breaking capacity I_{cu}

Operating voltage	Performance	TMD and Micrologic 5 A-Z trip units			
		B	F	N	H
250 V / 500 V	I _{cu} (kA)	25	36	50	70

Protection

TM-D thermal-magnetic trip units

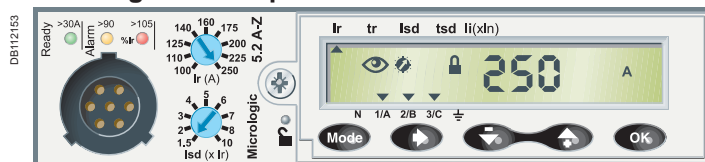


The 16 Hz 2/3 frequency does not modify the thermal settings with respect to those at 50 Hz (see page A-15). The magnetic pick-ups are modified as shown below.

Magnetic protection for Compact NSX 100/160/250 at 50 Hz and at 16 Hz 2/3

Rating (A) I _n at 40 °C	16	25	32	40	50	63	80	100	125	160	200	250
Pick-up (A) I _m accur. ±20%	Fixed											Adjustable
NSX100 50Hz	190	300	400	500	500	500	640	800				
16Hz 2/3	170	270	360	450	450	450	580	720				
NSX160/250 50Hz	190	300	400	500	500	500	640	800	1250	1250		5 to 10 I _n
16 Hz 2/3	170	270	360	450	450	450	580	720	1100	1100		4.5 to 9 I _n

Micrologic 5 A-Z trip units



Micrologic 5.2 A-Z and 5.3 A-Z are dedicated to 16 Hz 2/3 networks.

They use a suitable sampling frequency. The protection settings are identical to those of Micrologic 5 A (see page A-19). They also offer a current-measurement function for this specific frequency.

Trip-unit selection

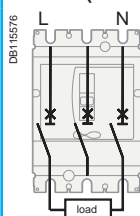
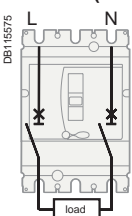
Rating	16	63	100	160	250	400	630
Compact							
NSX100	TM-D						
NSX160		TM-D					
NSX250				TM-D			
NSX100 to 250			Micrologic 5.2 A-Z				
NSX400/630						Micrologic 5.3 A-Z	

Wiring for NSX100 to 630 A

Phase and isolated neutral interrupted- 250 / 500 V

B and F (3P 2D version)

N and H (3P 3D version)

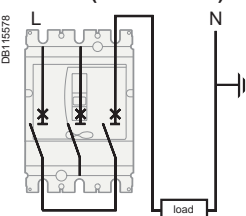
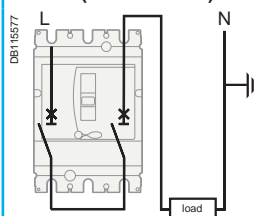


Remark. For an operating voltage > 250 V, the installation

2 poles in series - Earthed neutral - 250 / 500 V

B and F (3P 2D version)

N and H (3P 3D version)



Compact NSX circuit breakers may be used on 400 Hz systems.

400 Hz distribution systems

The main 400 Hz applications are in aeronautics and certain military ships. Modern aircraft have three-phase 115/200 V 400 Hz networks.

Impact on protective devices

Due to the higher frequency, circuit breakers are subjected to additional temperature rise for identical current levels, resulting from higher losses caused by Foucault currents and an increase in the skin effect (reduction in the useful CSA of conductors). To remain within the rated temperature-rise limits of devices, current derating is required.

The power levels of 400 Hz applications rarely exceed a few hundred kW with relatively low short-circuit currents, generally not exceeding four times the rated current.

The standard Compact NSX and Masterpact NT/NW ranges are suitable for 400 Hz applications if derating coefficients are applied to the protection settings. See the derating table below.

Breaking capacity of Compact NSX circuit breakers in 400 Hz, 440 V systems

Circuit breaker	Breaking capacity I _{cu}
NSX100	10 kA
NSX160	10 kA
NSX250	10 kA
NSX400	10 kA
NSX630	10 kA

PB 103366



Micrologic TM-D trip unit.

Trip units equipped with thermal-magnetic protection

The 400 Hz current settings are obtained by multiplying the 50 Hz values by the following adaptation coefficient:

- K1 for thermal trip units
- K2 for magnetic trip units.

These coefficients are independent of the trip-unit setting.

Thermal trip units

The current settings are lower at 400 Hz than at 50 Hz ($K1 < 1$).

Magnetic trip units

The current settings are conversely higher at 400 Hz than at 50 Hz ($K2 > 1$).

Consequently, when the trip units are adjustable, they must be set to the minimum value.

Adaptation coefficients for thermal-magnetic trip units

Circuit breaker	Trip unit	In (A) 50Hz	Thermal at 40°C		Im (A) 50Hz	Magnetic	
			K1	400 Hz		K2	400 Hz
NSX100	TM16G	16	0.95	15	63	1.6	100
	TM25G	25	0.95	24	80	1.6	130
	TM40G	40	0.95	38	80	1.6	130
	TM63G	63	0.95	60	125	1.6	200
NSX100	TM16D	16	0.95	15	240	1.6	300
	TM25D	25	0.95	24	300	1.6	480
	TM40D	40	0.95	38	500	1.6	800
	TM63D	63	0.95	60	500	1.6	800
	TM80D	80	0.9	72	650	1.6	900
	TM100D	100	0.9	90	800	1.6	900
NSX250	TM100D	100	0.9	90	800	1.6	900
	TM160D	160	0.9	144	1250	1.6	2000
	TM200D	200	0.9	180	1000 to 2000	1.6	1600 to 3200
	TM250D	250	0.9	225	1250 to 2500	1.6	2000 to 4000

Example

NSX100 equipped with a TM16G with 50 Hz settings $I_r = 16\text{ A}$ and $I_m = 63\text{ A}$.
400 Hz settings $I_r = 16 \times 0.95 = 15\text{ A}$ and $I_m = 63\text{ A} \times 1.6 = 100\text{ A}$.

PB103383



Micrologic 5 E trip unit.

Protection (cont.)

Micrologic electronic trip units

Micrologic 2.2, 2.3 or 5.2, 5.3 with A or E measurement functions are suitable for 400 Hz. The use of electronics offers the advantage of greater operating stability when the frequency varies. However the units are still subject to temperature rise caused by the frequency.

The practical consequences are:

- limit settings: see the I_r derating table below
- the long-time, short-time and instantaneous pick-ups are not modified (see pages A-17 or A-19)
- the accuracy of the displayed measurements is 2 % (class II).

Thermal derating: maximum I_r setting

Circuit breaker	Maximum setting coefficient	Max. I_r setting at 400 Hz
NSX100	1	100
NSX250	0.9	225
NSX400	0.8	320
NSX630	0.8	500

Example

An NSX250N, equipped with a Micrologic 2.2, $I_r = 250$ A at 50 Hz, must be limited to use at $I_r = 250 \times 0.9 = 225$ A.

Its short-time pick-up with fixed time delay is adjustable from 1.5 to 10 I_r (60 to 400 A). The instantaneous pick-up remains at 3000 A.

DB125547



OF auxiliary contact.

OF auxiliary contacts in 400 Hz networks

Electrical characteristics of auxiliary contacts

Contacts	Standard		Low level		
	AC12	AC15	CA12	CA15	
Utilisation cat. (IEC 60947-5-1)	AC12	AC15	CA12	CA15	
Operational current (A)	24 V	6	5	3	
	48 V	6	5	3	
	110 V	6	5	2.5	
	220/240 V	6	4	5	2
	380/415 V	6	2	5	1.5

DB125548



MX or MN voltage release.

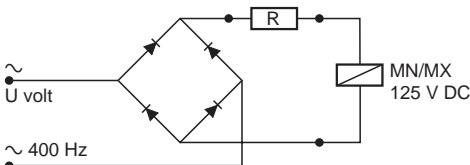
MN and MX voltage releases for Compact NSX100/630 at 400 Hz and 440 V

For circuit breakers on 400 Hz systems, only 125 V DC MN or MX releases may be used. The release must be supplied by the 400 Hz system via a rectifier bridge (to be selected from the table below) and an additional resistor with characteristics depending on the system voltage.

U (V) 400 Hz	Rectifier	Additional resistor
220/240 V	Thomson 110 BHz or General Instrument W06 or Semikron SKB at 1.2/1.3	4.2 k Ω -5 W
380/420 V	Semikron SKB at 1.2/1.3	10.7 k Ω -10 W

Note: other models of rectifier bridges may be used if their characteristics are at least equivalent to those stated above.

DB116579



Wiring diagram.

PB103377




SDx remote indication relay module with its terminal block.

SDx indication contacts

The SDx module may be used in 400 Hz systems for voltages from 24 to 440 V. An SDx relay module installed inside the circuit breaker can be used to remote the overload-trip signal.

This module receives the signal from the Micrologic electronic trip unit via an optical link and makes it available on the terminal block. The signal is cleared when the circuit breaker is closed.

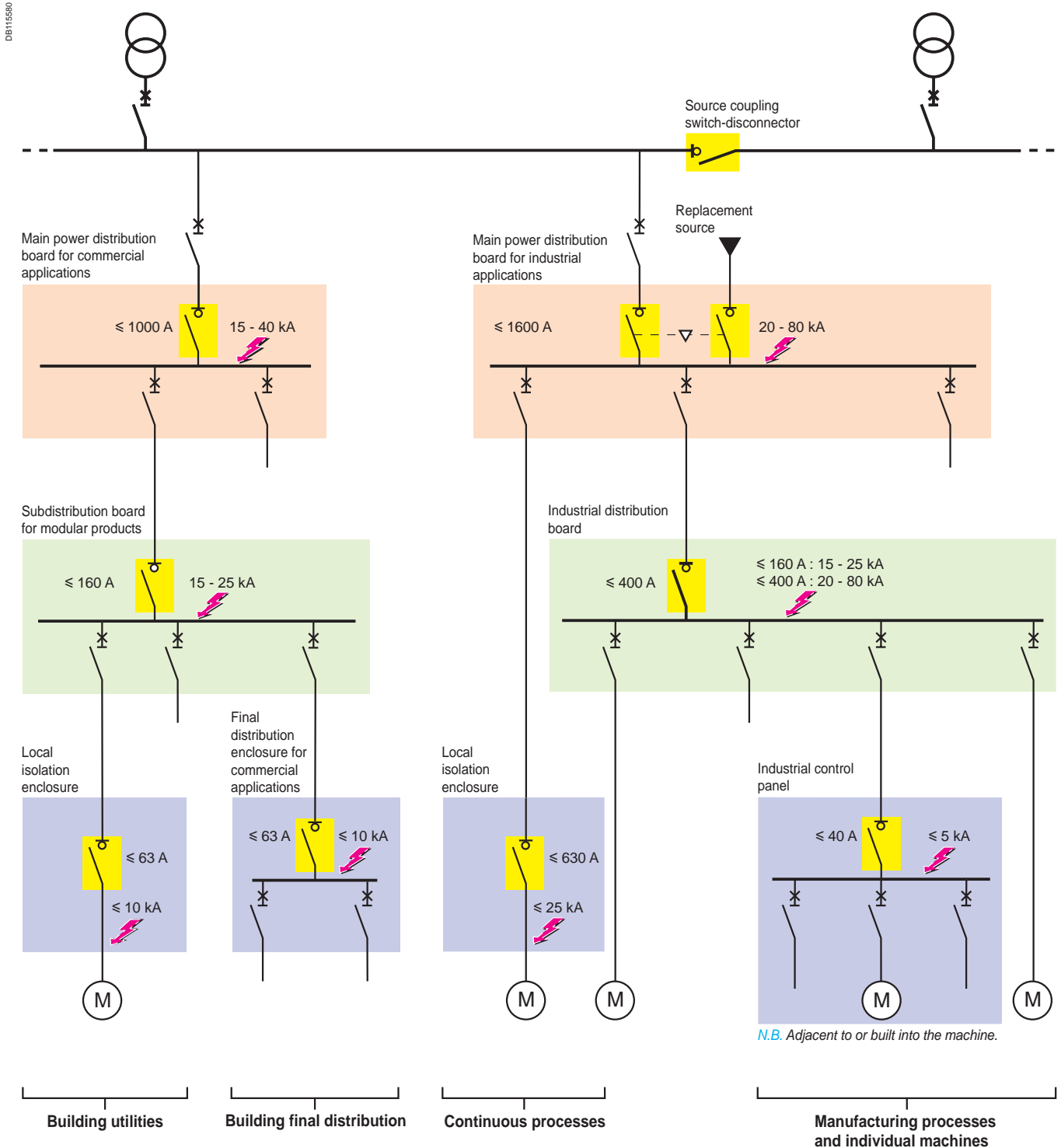
These outputs can be reprogrammed to be assigned to other types of tripping or alarm (see page A-81).

A switch-disconnector is a control device that can be used to open and close a circuit under normal operating conditions. It is suitable for isolation as indicated on the front by the symbol .

Position of switch-disconnectors

Compact NSX switch-disconnectors are used primarily for the following applications:

- busbar coupling and isolation
- isolation of industrial distribution boards and industrial control panels
- isolation of subdistribution boards for modular devices
- isolation of local enclosures
- isolation of final distribution enclosures for commercial applications
- industrial control panel switch-disconnectors.



Switch-disconnector functions

Compact NSX100 to 630 NA switch-disconnectors are available in fixed, plug-in and withdrawable versions. They use the same accessories and offer the same connection possibilities as the circuit-breaker versions. They may be interlocked with another Compact switch-disconnector or circuit breaker to form a source-changeover system.

Suitability for isolation with positive contact indication

Compact NSX switch-disconnectors are suitable for isolation as defined by standard IEC 60947-3. The corresponding conformity tests guarantee:

- the mechanical reliability of the position indication, i.e. the O (OFF) position indicated by the control device always reflects the open position of the contacts:
 - the required distance between contacts is provided
 - padlocks may not be installed unless the contacts are open
 - the absence of leakage currents
 - overvoltage withstand capacity between upstream and downstream connections.
- Installation of a rotary handle or a motor mechanism does not alter the reliability of the position-indication system.

Emergency-off function

A Compact NSX NA is combined with an MN or MX release connected to an emergency-off button. In an emergency, an operator at a remote location can interrupt the circuit at rated load to isolate the entire switchboard and the downstream loads.

Motor mechanism

Compact NSX NA devices equipped with a motor mechanism module enable remote closing and opening. This function may be combined with the emergency-off function. In this case, the emergency off function is combined with a closing lock-out that must be intentionally reset (electrical diagram with closing lock-out).

Earth-leakage protection

A Vigi module may be added to a switch-disconnector to monitor all leakage currents in the outgoing circuits of the switchboard on which the switch-disconnector is installed. When the Vigi module detects an earth-leakage current, the switch-disconnector interrupts the load current. This function may be combined with the motor mechanism and the emergency-off function using an MN or MX release.

Switch-disconnector protection

The switch-disconnector can make and break its rated current. For an overload or a short-circuit, it must be protected by an upstream device, in compliance with installation standards.

The circuit-breaker/switch-disconnector coordination tables determine the required upstream circuit breaker. However, due to their high-set magnetic release, Compact NSX100 to 630 A switch-disconnectors are self-protected.

Switch-disconnector utilisation category

Depending on the rated operational current and the mechanical durability (A for frequent operation or B for infrequent operation), standard IEC 60947-3 defines the utilisation categories as shown in the table below. Compact NSX NA switch-disconnectors comply with utilisation categories AC22A or AC23A.

Utilisation category		Typical applications
Infrequent operation	Frequent operation	
AC-21A	AC-21B	Resistive loads including moderate overloads ($\cos \varphi = 0.95$)
AC-22A	AC-22B	Mixed resistive and inductive loads including moderate overloads ($\cos \varphi = 0.65$)
AC-23A	AC-23B	Motor loads or other highly inductive loads ($\cos \varphi = 0.45$ or 0.35)

PB108199-28



Compact NSX switch-disconnector.

PB103372-34



Compact NSX switch-disconnector equipped with a motor mechanism module.

PB108209-31



Compact NSX switch-disconnector equipped with a Vigi module.

Switch-disconnectors

Characteristics and performance of Compact NSX switch-disconnectors from 100 to 630 NA

Installation standards require upstream protection. However Compact NSX100 to 630 NA switch-disconnectors are self-protected by their high-set magnetic release.

PB103189-39



Compact NSX100 to 250 NA.

PB10271-45



Compact NSX400 to 630 NA.

Common characteristics

Rated voltages			
Insulation voltage (V)	Ui		800
Impulse withstand voltage (kV)	Uimp		8
Operational voltage (V)	Ue	AC 50/60 Hz	690
Suitability for isolation		IEC/EN 60947-3	yes
Utilisation category		AC 22 A/AC 23 A - DC 22 A/DC 23 A	
Pollution degree		IEC 60664-1	3

Switch-disconnectors

Electrical characteristics as per IEC 60947-3 and EN 60947-3

Conventional thermal current (A) Ith 60 °C				
Number of poles				
Operational current (A) depending on the utilisation category	Ie	AC 50/60 Hz	220/240 V	
			380/415 V	
			440/480 V ⁽²⁾	
			500/525 V	
			660/690 V	
DC			250 V (1 pole)	
			500 poles (2 poles in series)	
			750 V (3 poles in series)	
Short-circuit making capacity (kA peak)	Icm		min. (switch-disconnector alone)	
			max. (protection by upstream circuit breaker)	
Rated short-time withstand current (A rms)	Icw	for	1 s	
			3 s	
			20 s	
Durability (C-O cycles)	mechanical			
			electrical	AC
			440 V	In/2
			690 V	In/2
				In
			DC	250 V (1 pole) and 500 V (2 poles in series)

Positive contact indication

Pollution degree

Protection

Add-on earth-leakage protection By Vigi module
By Vigirex relay

Additional indication and control auxiliaries

Indication contacts

Voltages releases MX shunt release
MN undervoltage release

Voltage-presence indicator

Current-transformer module

Ammeter module

Insulation monitoring module

Remote communication by bus

Device-status indication

Device remote operation

Operation counter

Installation / connections

Dimensions (mm)	fixed, front connections	2/3P
W x H x D		4P
Weight (kg)	fixed, front connections	3P
		4P

Source-changeover systems (see chapter on Source-changeover systems)

Manual source-changeover systems

Remote-operated or automatic source-changeover systems

(1) 2P in 3P case.

(2) Suitable for 480 V NEMA.

Common characteristics

Control

Manual	With toggle	■
	With direct or extended rotary handle	■
Electrical	With remote control	■

Versions

Fixed		■
Withdrawable	Plug-in base	■
	Chassis	■

NSX100NA	NSX160NA	NSX250NA	NSX400NA	NSX630NA
100	160	250	400	630
2 ⁽¹⁾ , 3, 4	2 ⁽¹⁾ , 3, 4	2 ⁽¹⁾ , 3, 4	3, 4	3, 4
AC22A / AC23A	AC22A / AC23A	AC22A / AC23A	AC22A / AC23A	AC22A / AC23A
100	160	250	400	630
100	160	250	400	630
100	160	250	400	630
100	160	250	400	630
100	160	250	400	630
DC22A / DC23A	DC22A / DC23A	DC22A / DC23A	DC22A / DC23A	DC22A / DC23A
100	160	250	-	-
100	160	250	-	-
100	160	250	-	-
2.6	3.6	4.9	7.1	8.5
330	330	330	330	330
1800	2500	3500	5000	6000
1800	2500	3500	5000	6000
690	960	1350	1930	2320
50000	40000	20000	15000	15000
AC22A / AC23A	AC22A / AC23A	AC22A / AC23A	AC22A / AC23A	AC22A / AC23A
35000	30000	15000	10000	6000
20000	15000	7500	5000	3000
15000	10000	6000	5000	3000
8000	5000	3000	2500	1500
10000	10000	10000	-	-
5000	5000	5000	-	-
■	■	■	■	■
3	3	3	3	3
■			■	
■			■	
■			■	
■			■	
■			■	
■			■	
■			■	
■			■	
■			■	
■			■	
■			■	
■			■	
105 x 161 x 86			140 x 255 x 110	
140 x 161 x 86			185 x 255 x 110	
1.5 to 1.8			5.2	
2.0 to 2.2			6.8	
■			■	
■			■	

Some installations use two supply sources to counter the temporary loss of the main supply.

A source-changeover system is required to safely switch between the two sources.

The replacement source can be a generator set or another network.

Manual source changeover

This is the most simple system. It is controlled manually by a maintenance technician and consequently the time required to switch from the normal source to the replacement source can vary.

A manual source-changeover system is made up of:

- two devices (circuit breakers or switch-disconnectors) controlled manually
- mechanical interlocking.

The interlock prevents connection to both sources at the same time, even momentarily.

Remote-operated source-changeover systems

This is the most commonly employed system. No human invention is required. The transfer from the normal to the replacement source is controlled electrically.

A remote-operated source-changeover system is made up of two circuit breakers or switch-disconnectors equipped with motor mechanisms and:

- an electrical interlocking system implemented in a number of manners
- a mechanical interlocking system that protects against the consequences of an electrical malfunction and prevents incorrect manual operation.

Automatic source-changeover systems

An automatic controller may be added to the remote-operated source-changeover system for automatic source control according to programmable operating modes.

This solution ensures optimum energy management:

- switching to a replacement source depending on external requirements
- source management
- load shedding
- emergency source replacement, etc.

PB103837



PB103836



Service sector:

- hospital operating rooms
- safety systems for tall buildings
- computer rooms (banks, insurance companies, etc.)
- lighting systems in shopping centres, etc.

PB103834



Industry:

- assembly lines
- engine rooms on ships
- critical auxiliaries in thermal power stations, etc.

PB103835

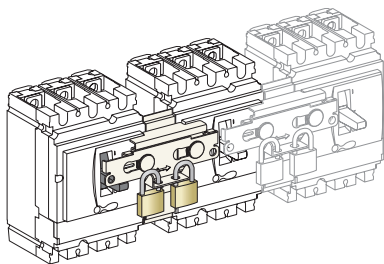


Infrastructures:

- runway lighting systems
- port and railway installations
- control systems for military installations, etc.

Manual source-changeover systems

DB112196



Interlocking of two or three toggle-controlled devices.

Interlocking of two or three toggle-controlled devices

Interlocking system

Two devices can be interlocked using this system. Two identical interlocking systems can be used to interlock three devices installed side by side.

Authorised positions:

- one device closed (ON), the others open (OFF)
- all devices open (OFF).

The system is locked using one or two padlocks (shackle diameter 5 to 8 mm). This system can be expanded to more than three devices.

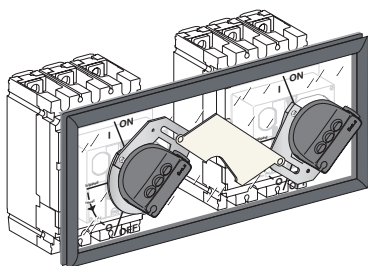
There are two interlocking-system models:

- one for Compact NSX100 to 250
- one for Compact NSX400/630.

Combinations of Normal and Replacement devices

All toggle-controlled fixed or plug-in Compact NSX100 to 630 circuit breakers and switch-disconnectors of the same frame size can be interlocked. The devices must be either all fixed or all plug-in versions.

DB112194



Interlocking of two devices with rotary handles.

Interlocking of two devices with rotary handles

Interlocking system

Interlocking involves padlocking the rotary handles on two devices which may be either circuit breakers or switch-disconnectors.

Authorised positions:

- one device closed (ON), the other open (OFF)
- both devices open (OFF).

The system is locked using up to three padlocks (shackle diameter 5 to 8 mm).

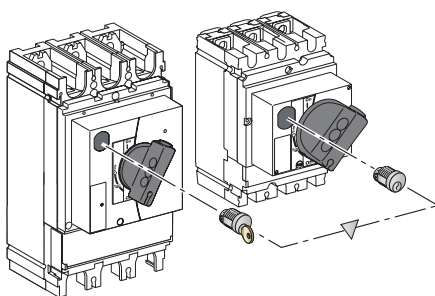
There are two interlocking-system models:

- one for Compact NSX100 to 250
- one for Compact NS400/630.

Combinations of Normal and Replacement devices

All rotary-handle fixed or plug-in Compact NSX100 to 630 circuit breakers and switch-disconnectors of the same frame size can be interlocked. The devices must be either all fixed or all plug-in versions.

DB112195



Interlocking with keylocks.

Interlocking of a number of devices using keylocks (captive keys)

Interlocking using keylocks is very simple and makes it possible to interlock two or more devices that are physically distant or that have very different characteristics, for example medium-voltage and low-voltage devices or a Compact NSX100 to 630 circuit breaker and switch-disconnector.

Interlocking system

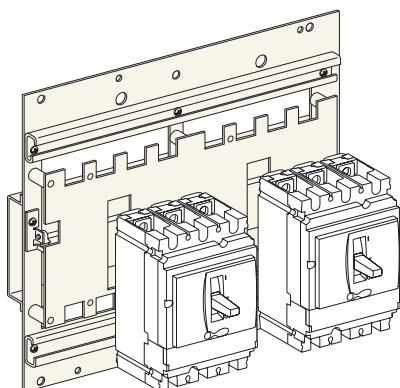
Each device is equipped with an identical keylock and the key is captive on the closed (ON) device. A single key is available for all devices. It is necessary to first open (OFF position) the device with the key before the key can be withdrawn and used to close another device.

A system of wall-mounted captive key boxes makes a large number of combinations possible between many devices.

Combinations of Normal and Replacement devices

All rotary-handle Compact NSX100 to 630 circuit breakers and switch-disconnectors can be interlocked between each other or with any other device equipped with the same type of keylock.

DB112196



Interlocking on a base plate.

Interlocking of two devices on a base plate

Interlocking system

A base plate designed for two Compact NSX devices can be installed horizontally or vertically on a mounting rail. Interlocking is carried out on the base plate by a mechanism located behind the devices. In this way, access to the device controls and trip units is not blocked.

Combinations of Normal and Replacement devices

All rotary-handle and toggle-controlled Compact NSX100 to 630 circuit breakers and switch-disconnectors can be interlocked. Devices must be either all fixed or all plug-in versions, with or without earth-leakage protection or measurement modules.

An adaptation kit is required to interlock:

- two plug-in devices
- a Compact NSX100-250 with an NSX400-630.

Connection to the downstream installation can be made easier using a coupling accessory (see next page).

Source-changeover systems

Remote-operated and automatic source-changeover systems

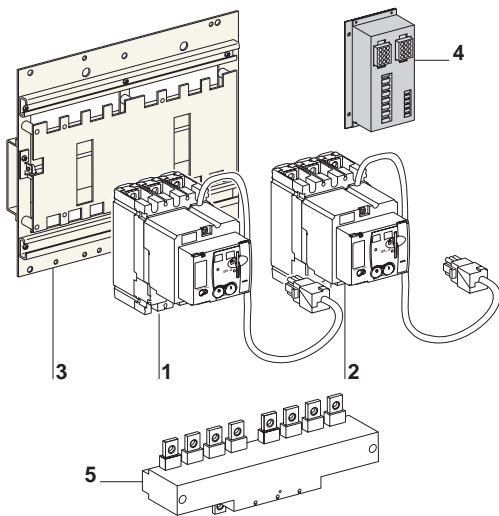
Coupling accessory on base plate

PE103832-51



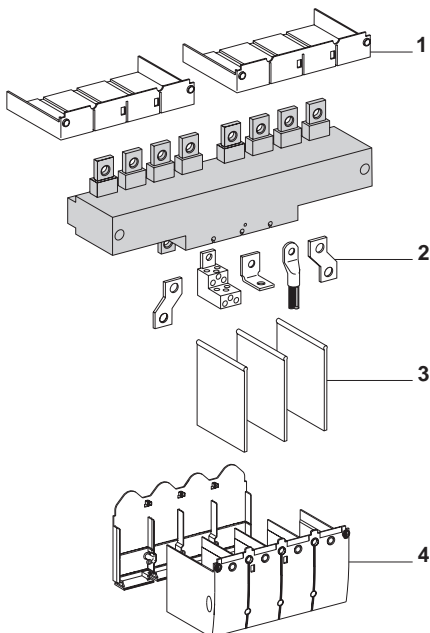
Remote-operated source-changeover system.

DB112197



- 1 Circuit breaker QN equipped with a motor mechanism and auxiliary contacts, connected to the Normal source
- 2 Circuit breaker QR equipped with a motor mechanism and auxiliary contacts, connected to the Replacement source
- 3 Base plate with mechanical interlocking
- 4 Electrical interlocking unit IVE
- 5 Coupling accessory (downstream connection)

DB112199



Standard device accessories may be used for the coupling accessory on the base plate.

Remote-operated systems

It is made up of two devices with motor mechanisms, mounted on a base plate and combined with:

- an electrical interlocking unit
- optional mechanical interlocking system.

Electrical interlocking unit (IVE)

Interlocks two devices equipped with motor mechanisms and auxiliary contacts. The IVE unit is mandatory to ensure the necessary time-delays required for safe switching.

Mechanical interlocking system

The mechanical interlocking system is strongly recommended to limit the effects of design or wiring errors and to avoid manual switching errors.

Automatic systems

An automatic controller can manage switching from one source to the other.

The controller can be:

- a device provided by the customer
- an integrated BA controller
- an integrated UA controller.

An integrated BA or UA automatic controller manages source transfer according to user-selected sequences that can include source priorities, start-up of a generator, return to the Normal source, etc. An ACP auxiliaries control plate facilitates installation of the BA and UA controllers. The plate includes two circuit breakers to protect the control circuits and two contactors to control the motor mechanisms of the devices.

Coupling accessory on base plate

This accessory may be used with a manual or remote-operated source-changeover system (with or without an automatic controller). It respects the mounting distance between the devices secured to the ACP plate and provides downstream coupling of the two sets of busbars. It is compatible with standard device accessories.

The short terminal shields of the device can be installed on the upstream connectors of the coupling accessory. Downstream, it is possible to use the connection accessories and the long or short terminal shields of the device.

- 1 Short terminal shields
- 2 Terminals
- 3 Interphase barriers
- 4 Long terminal shields

By combining a remote-operated source-changeover system with an integrated BA or UA automatic controller, it is possible to automatically control source transfer according to user-selected sequences.



BA controller.



UA controller.



Auxiliary control plate for a BA or UA controller.

Functions of the BA and UA controllers

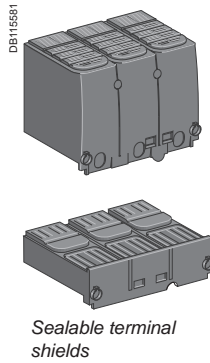
Controller		BA	UA				
Compatible circuit breakers		Compact NSX100 to 630 circuit breakers					
4-position switch							
Automatic operation		■	■				
Forced operation on Normal source		■	■				
Forced operation on Replacement source		■	■				
Stop (both Normal and Replacement sources OFF)		■	■				
Automatic operation							
Monitoring of the Normal source and automatic transfer from one source to the other		■	■				
Engine generator set start-up control			■				
Delayed shutdown (adjustable) of engine generator set			■				
Load shedding and reconnection of non-priority loads			■				
Transfer to Replacement source if one of the Normal source phases is absent			■				
Test							
By opening the P25M circuit breaker upstream of the controller		■	■				
By pressing the test button on the front of the controller			■				
Indications							
Circuit-breaker status indication on the front of the controller: ON, OFF, fault trip		■	■				
Automatic-mode indication contact		■	■				
Other functions							
Selection of type of Normal source (single-phase or three-phase)			■				
Voluntary transfer to Replacement source		■	■				
Forced operation on Normal source if Replacement source is not operational			■				
Additional test contact (not part of controller)		■	■				
Transfer to Replacement source only if contact closed (e.g. for a UR frequency check)			■				
Setting of maximum start-up time for the Replacement-source			■				
Power supply							
Control voltages ⁽¹⁾	220 to 240 V 50/60 Hz	■	■				
	380 to 415 V 50/60 Hz	■	■				
	440 V 60 Hz	■	■				
Operating thresholds							
Undervoltage	0.35 Un ≤ voltage ≤ 0.7 Un	■	■				
Phase failure	0.5 Un ≤ voltage ≤ 0.7 Un		■				
Voltage presence	voltage ≥ 0.85 Un	■	■				
Characteristics of output contacts (dry, volt-free contacts)							
Rated thermal current (A)	8						
Minimum load	10 mA at 12 V						
		AC				DC	
Utilisation category (IEC 60947-5-1)		AC12	AC13	AC14	AC15	DC12	DC13
Operational current (A)	24 V	8	7	5	6	8	2
	48 V	8	7	5	5	2	-
	110 V	8	6	4	4	0.6	-
	220/240 V	8	6	4	3	-	-
	250 V	-	-	-	-	0.4	-
	380/415 V	5	-	-	-	-	-
	440 V	4	-	-	-	-	-
660/690 V	-	-	-	-	-	-	

⁽¹⁾ The controller is powered by the ACP auxiliaries control plate. The same voltage must be used for the ACP plate, the IVE unit and the circuit-breaker operating mechanisms. If this voltage is the same as the source voltage, then the "Normal" and "Replacement" sources can be used directly for the power supply. If not, an isolation transformer must be used.

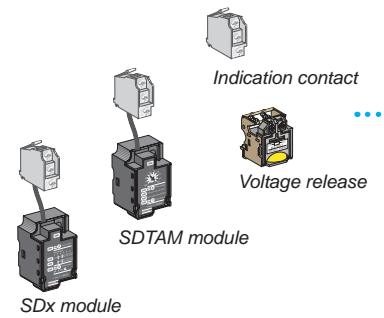
Accessories and auxiliaries

Overview of Compact NSX100 to 630 fixed version

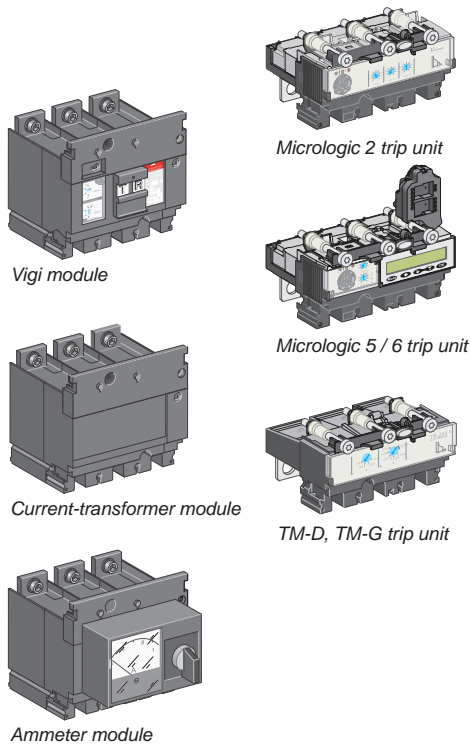
Insulation accessories ▶ A-73



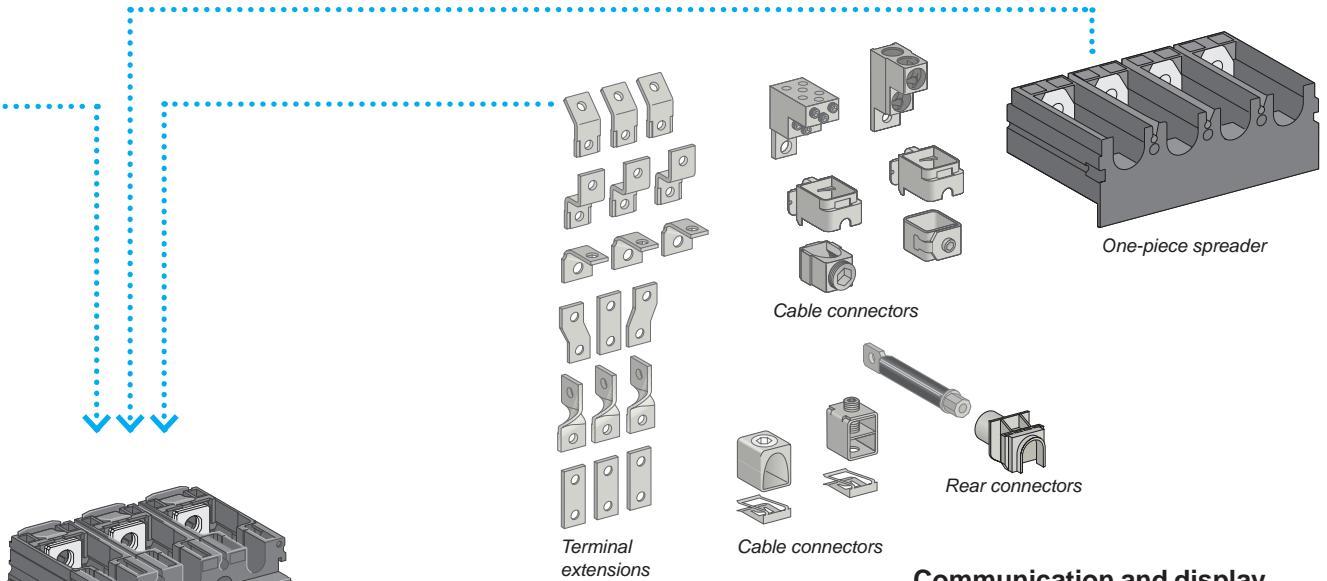
Electrical auxiliaries ▶ A-80



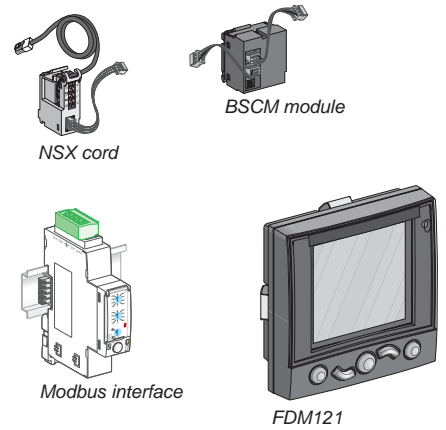
Protection and measurements ▶ A-86



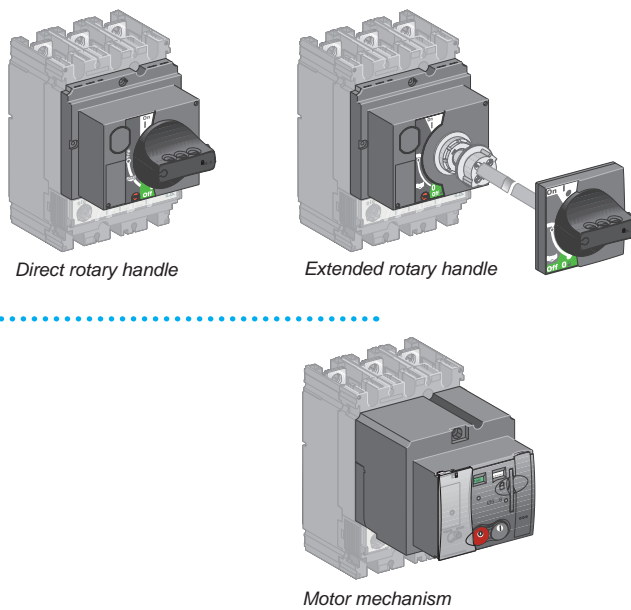
Connection ▶ A-70



Communication and display ▶ A-26



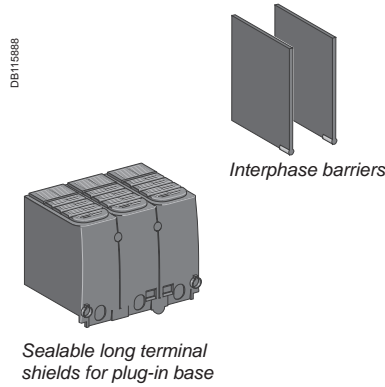
Control accessories ▶ A-82



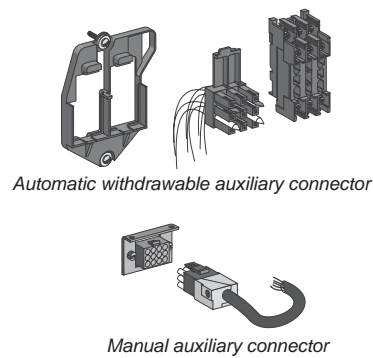
Accessories and auxiliaries

Overview of Compact NSX100 to 630 plug-in and withdrawable versions

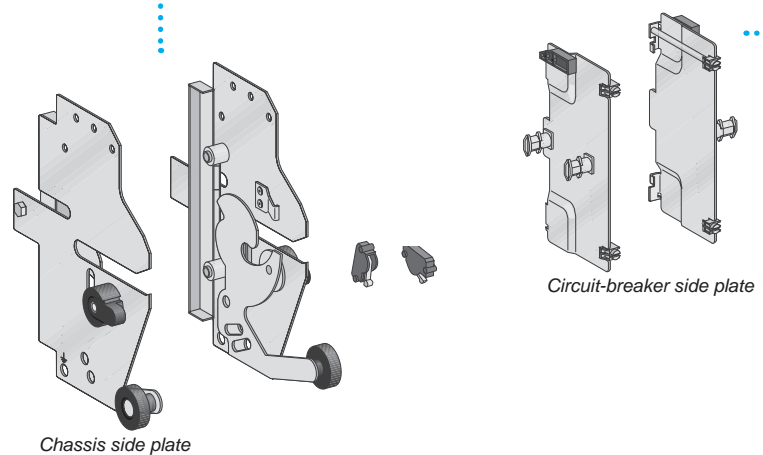
Insulation accessories ▶ A-73



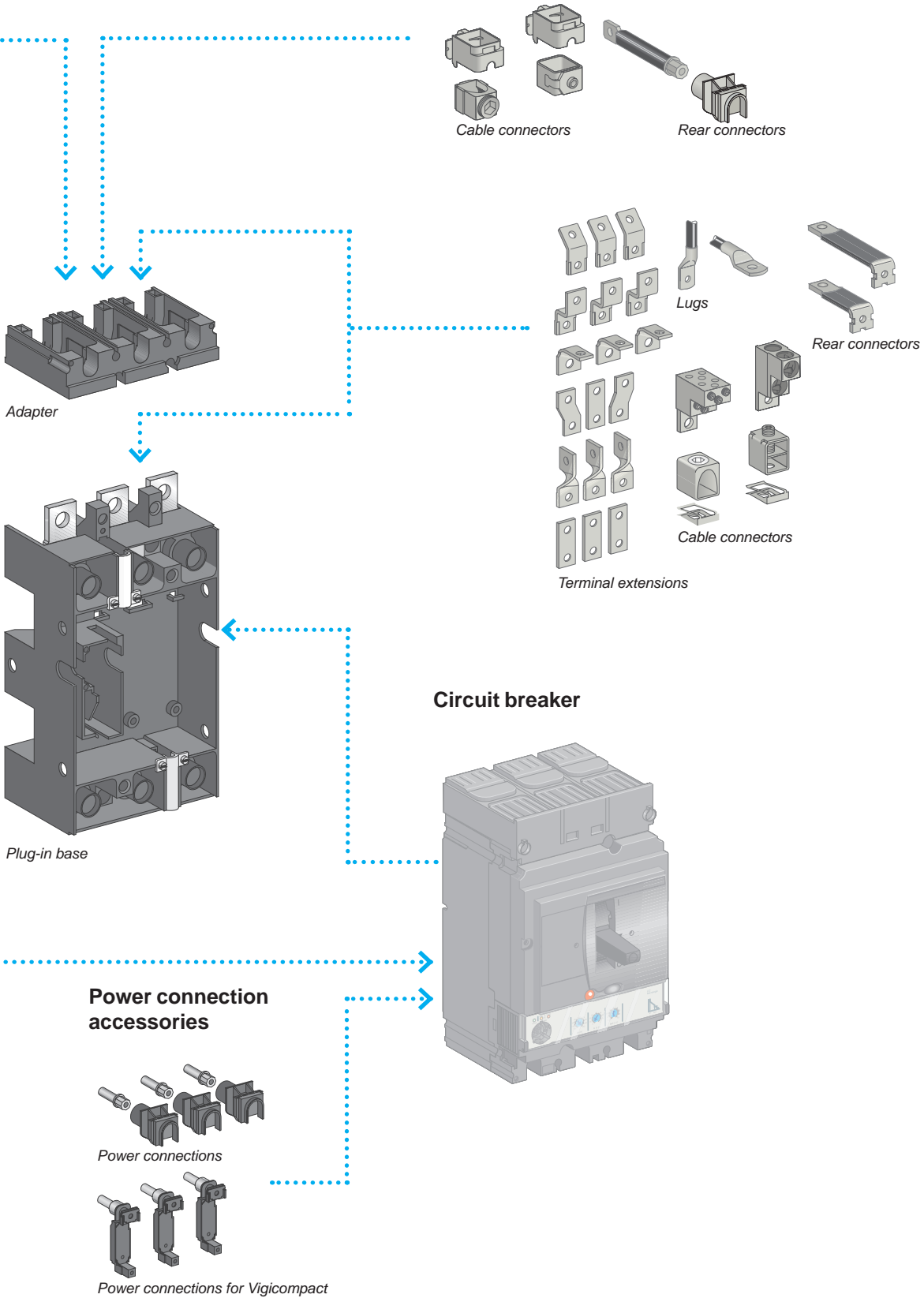
Electrical accessories ▶ A-78



Mechanical accessories ▶ A-69



Connection ▶ A-70 and A-72



Compact NSX circuit breakers may be installed horizontally, vertically or flat on their back, without derating performance levels.

There are three installation versions:

- fixed
- plug-in (on a base)
- withdrawable (on a chassis).

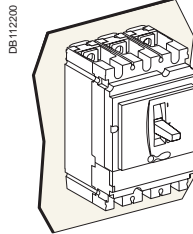
For the last two, components must be added (base, chassis) to the fixed version.

Many connection components are shared by the three versions.

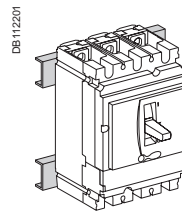
Fixed circuit breakers

Fixed circuit breakers are designed for standard connection using bars or cables with lugs. Bare-cable connectors are available for connection to bare copper or aluminium cables.

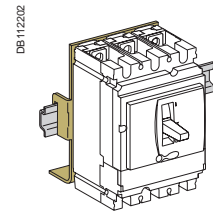
For connection of large cables, a number of solutions with spreaders may be used for both cables with lugs or bare cables.



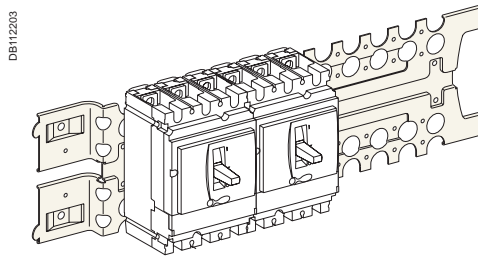
Mounting on a backplate.



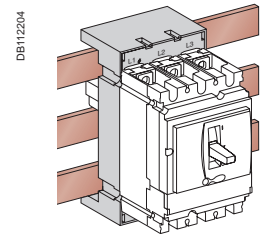
Mounting on rails.



Mounting on DIN rail (with adapter).



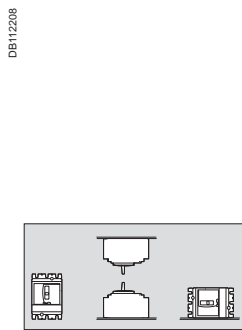
Mounting on a Prisma mounting plate.



Mounting on busbars with an adapter.



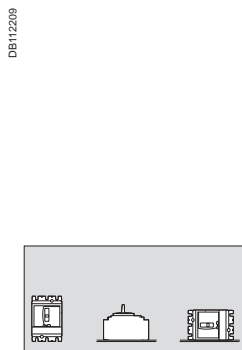
Fixed Compact NSX250.



Installation positions.



Plug-in Compact NSX250.



Installation positions.

Plug-in circuit breakers

The plug-in version makes it possible to:

- extract and/or rapidly replace the circuit breaker without having to touch the connections on the base
- allow for the addition of future circuits by installing bases that will be equipped with a circuit breaker at a later date
- isolate the power circuits when the device is mounted on or through a panel. It acts as a barrier for the connections of the plug-in base. Insulation is made complete by the mandatory short terminal shields on the device. The degrees of protection are:
 - circuit breaker plugged in = IP4
 - circuit breaker removed = IP2
 - circuit breaker removed, base equipped with shutters = IP4.

Parts of a plug-in configuration

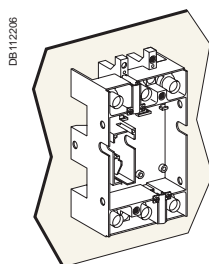
A plug-in configuration is made by adding a "plug-in kit" to a fixed device. To avoid connecting or disconnecting the power circuits under load conditions, a safety trip causes automatic tripping if the device is ON, before engaging or withdrawing it. The safety trip, supplied with the kit, must be installed on the device. If the device is disconnected, the safety trip does not operate. The device can be operated outside the switchboard.

Accessories

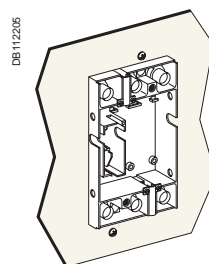
Optional insulation accessories are available.

- Terminal shields to protect against direct contact.
- Interphase barriers to reinforce insulation between phases and protect against direct contact.

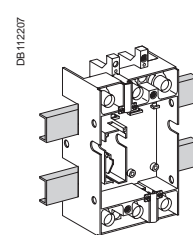
Mounting



Mounting on a backplate.



Mounting through a front panel.



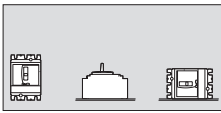
Mounting on rails.

PB103699-42



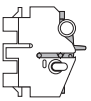
Withdrawable Compact NSX250.

DB112209

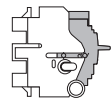


Installation positions.

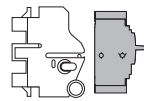
DB112210



Connected.

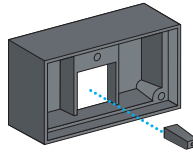


Disconnected.



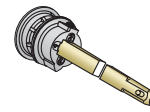
Removed.

DB113989



Protection collar for toggle and toggle extension to provide IP4 in the connected and disconnected positions.

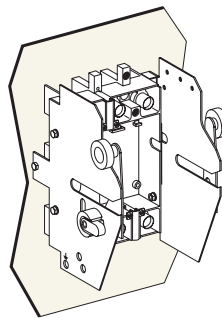
DB112219



Telescopic shaft.

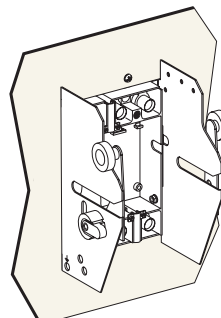
Mounting

DB112220



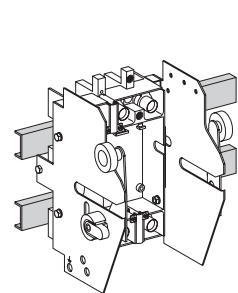
Mounting on a backplate.

DB112221



Mounting through a front panel.

DB112312



Mounting on rails.

Withdrawable circuit breakers

In addition to the advantages provided by the base, installation on a chassis facilitates handling. It offers three positions, with transfer from one to the other after mechanical unlocking:

- connected: the power circuits are connected
- disconnected: the power circuits are disconnected, the device can be operated to check auxiliary operation
- removed: the device is free and can be removed from the chassis.

Parts of a withdrawable configuration

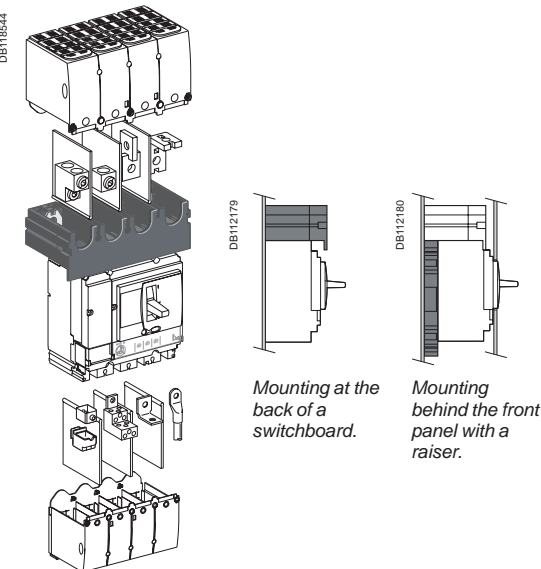
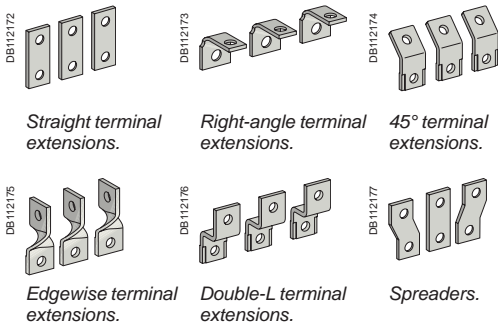
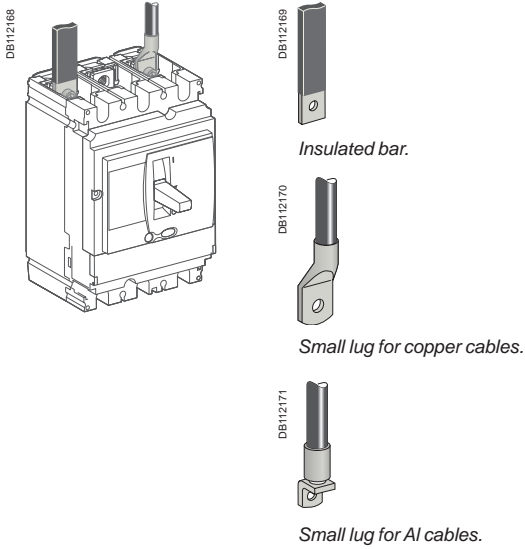
A withdrawable configuration requires two side plates installed on the base and two sides plates mounted on the circuit breaker. Similar to the plug-in version, a safety trip causes automatic tripping if the device is ON, before engaging or withdrawing it, and enables device operation in the disconnected position.

Accessories

Accessories are the same as for the base, with in addition:

- auxiliary contacts for installation on the fixed part, indicating the "connected" and "disconnected" positions
- locking by 1 to 3 padlocks (shackle diameter 5 to 8 mm), to:
 - prevent insertion for connection
 - lock the circuit breaker in connected or disconnected position
- toggle collar for circuit breakers with a toggle mounted through a front panel, intended to maintain the degree of protection whatever the position of the circuit breaker (supplied with a toggle extension)
- telescopic shaft for extended rotary handles. The door can then be closed with the device in the connected and disconnected positions.

Fixed circuit breakers are designed for standard front connection using bars or cables with lugs. Cable connectors are available for bare cables. Rear connection is also possible.



Front connection

Bars or cables with lugs

Standard terminals

Compact NSX100 to 630 come with terminals comprising snap-in nuts with screws:

- Compact NSX100: M6 nuts and screws. Compact NSX160/250: M8 nuts and screws
- Compact NSX400/630: M10 nuts and screws.

These terminals may be used for:

- direct connection of insulated bars or cables with lugs
- terminal extensions offering a wide range of connection possibilities. Interphase barriers or terminal shields are recommended. They are mandatory for certain connection accessories (in which case the interphase barriers are provided).

Bars

When the switchboard configuration has not been tested, insulated bars are mandatory.

Maximum size of bars

Compact NSX circuit breaker	100/160/250	400/630	
Without spreaders	pitch (mm)	35	45
	maximum bar size (mm)	20 x 2	32 x 6
With spreaders	pitch (mm)	45	52.5
	maximum bar size (mm)	32 x 2	40 x 6

Crimp lugs

There are two models, for aluminium and copper cables.

It is necessary to use narrow lugs, compatible with device connections. They must be used with interphase barriers or long terminal shields. The lugs are supplied with interphase barriers and may be used for the types of cables listed below.

Cable sizes for connection using lugs

Compact NSX circuit breaker	100/160/250	400/630	
Copper cables	size (mm ²)	120, 150, 185	240, 300
	crimping	hexagonal barrels or punching	
Aluminium cables	size (mm ²)	120, 150, 185	240, 300
	crimping	hexagonal barrels	

Terminal extensions

Extensions with anti-rotation ribs can be attached to the standard terminals to provide numerous connection possibilities in little space:

- straight terminal extensions
- right-angle terminal extensions
- edgewise terminal extensions
- double-L extensions
- 45° extensions.

Spreaders

Spreaders may be used to increase the pitch:

- NSX100 to 250: the 35 mm pitch can be increased to 45 mm
- NSX400/630: the 45 mm pitch can be increased to 52 or 70 mm.

Bars, cable lugs or cable connectors can be attached to the ends.

One-piece spreader for NSX100 to 250

Connection of large cables may require an increase in the distance between the device terminals.

The one-piece spreader is the means to:

- increase the 35 mm pitch of the NSX100 to 250 circuit-breaker terminals to the 45 mm pitch of a NSX400/630 device
- use all the connection and insulation accessories available for the next largest frame size (lugs, connectors, spreaders, right-angle and edgewise terminal extensions, terminal shields and interphase barriers).

It may also be used for Interpact INS switch-disconnectors.

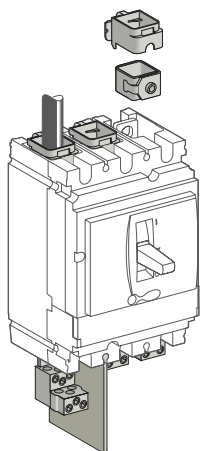
Equipped with a single-piece spreader, Compact NSX devices can be mounted:

- at the back of a switchboard
 - behind the front panel with a raiser.
- The one-piece spreader is also the means to:
- align devices with different frame sizes in the switchboard
 - use the same mounting plate, whatever the device.

Pitch (mm) depending on the type of spreader

Compact NSX circuit breaker	NSX100 to 250	NSX100 to 630
Without spreaders	35	45
With spreaders	45	52.5 or 70
With one-piece spreader	45	-

DB112313



DB112314



Bare cable.

DB112315



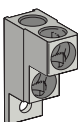
1-cable connector for NSX100 to 250

DB112316



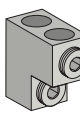
1-cable connector for NSX400/630.

DB112317



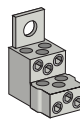
2-cable connector for NSX100 to 250

DB112326



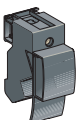
2-cable connector for NSX400/630.

DB111327



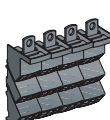
Distribution connector for NSX100 to 250.

DB111500



Polybloc 100/160 A and 250 A distribution blocks.

DB115225



Bare cables

For bare cables (without lugs), the prefabricated bare-cable connectors may be used for both copper and aluminium cables.

1-cable connectors for Compact NSX100 to 250

The connectors snap directly on to the device terminals or are secured by clips to right-angle and straight terminal extensions as well as spreaders.

1-cable connectors for Compact NSX400 to 630

The connectors are screwed directly to the device terminals.

2-cable connectors for Compact NSX100 to 250 and 400/630

The connectors are screwed to device terminals or right-angle terminal extensions.

Distribution connectors for Compact NSX100 to 250

These connectors are screwed directly to device terminals. Interphase barriers are supplied with distribution connectors, but may be replaced by long terminal shields. Each connector can receive six cables with cross-sectional areas ranging from 1.5 to 35 mm² each.

Polybloc distribution block for Compact NSX100 to 630

Polybloc connects directly to device terminals.

It is used to connect up to six or nine flexible or rigid cables with cross-sectional areas not exceeding 10 mm² or 16 mm², to each pole.

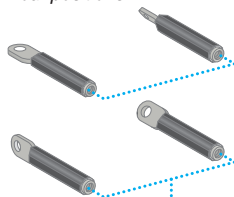
Connection is made to spring terminals without screws.

Maximum size of cables depending on the type of connector

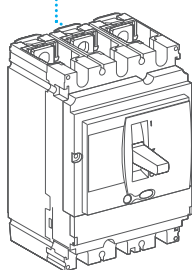
Compact NSX circuit breaker		100/160	250	400	630
Steel connectors	1.5 to 95 mm ²	■			
Aluminium connectors	25 to 95 mm ²	■	■		
	120 to 185 mm ²	■	■		
	2 cables 50 to 120 mm ²	■	■		
	2 cables 35 to 240 mm ²			■	■
	35 to 300 mm ²			■	■
Distribution connectors	6 cables 35 mm ²	■	■		
Polybloc distribution blocks	6 or 9 cables 10/16 mm ²	■	■		

DB111329

Four positions.

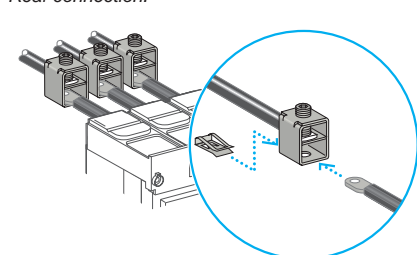


Two lengths.



Rear connection.

DB111332



Connection of bare cables to NSX100 to 250.

Rear connection

Device mounting on a backplate with suitable holes enables rear connection.

Bars or cables with lugs

Rear connections for bars or cables with lugs are available in two lengths. Bars may be positioned flat, on edge or at 45° angles depending on how the rear connections are positioned.

The rear connections are simply fitted to the device connection terminals. All combinations of rear connection lengths and positions are possible on a given device.

Bare cables

For the connection of bare cables, the 1-cable connectors for Compact NSX100 to 250 may be secured to the rear connections using clips.

Accessories and auxiliaries

Connection of withdrawable and plug-in devices

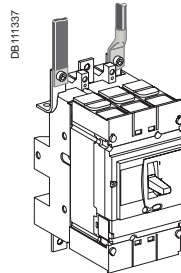
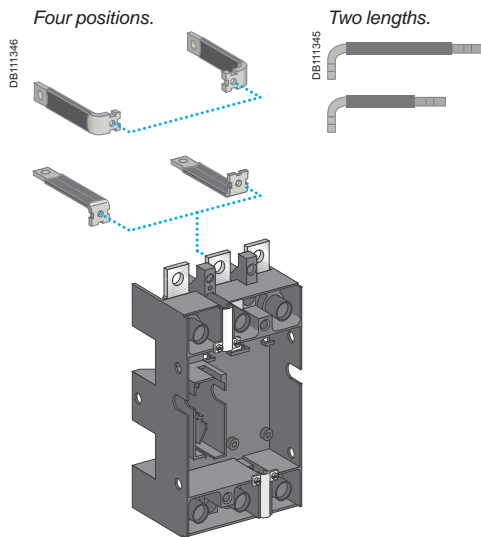
Connection is identical for both withdrawable and plug-in versions. The same accessories as for fixed devices may be used.

Bars or cables with lugs

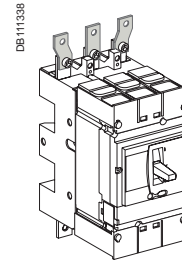
The plug-in base is equipped with terminals which, depending on their orientation, serve for front and rear connection.

For rear connection of a base mounted on a backplate, the terminals must be replaced by insulated, long right-angle terminal extensions.

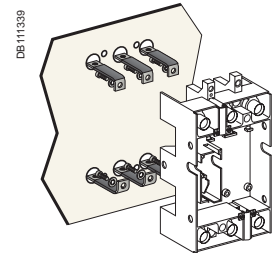
For Compact NSX630 devices, connection most often requires the 52.5 or 70 mm pitch spreaders.



Front connection.



Front connection with spreaders.



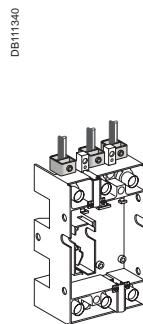
Rear connection of a base mounted on a backplate.

Connection accessories

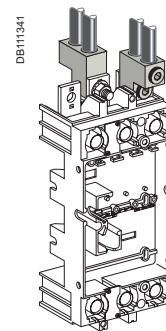
All accessories for fixed devices (bars, lugs, terminal extensions and spreaders) may be used with the plug-in base (see pages A-70, A-71).

Bare cables

All terminals may be equipped with bare-cable connectors. See the "Connection of fixed devices" section.



With a 100 to 250 A base.

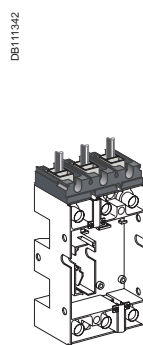
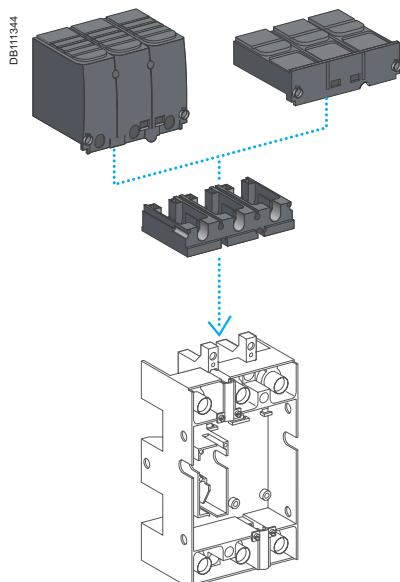


With a 400/630 A base.

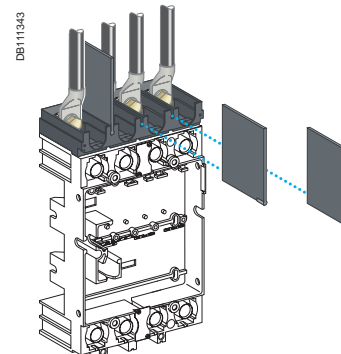
Adapter for plug-in base

The adapter is a plastic component for the 100 to 250 base and the 400/630 base that enables use of all the connection accessories of the fixed device.

It is required for interphase barriers and the long and short terminal shields.



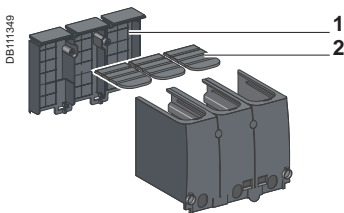
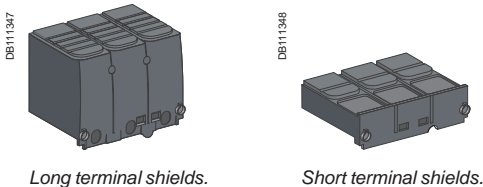
Adapter for 100 to 250 A - 3P base.
Connection with bars or cables with lugs.



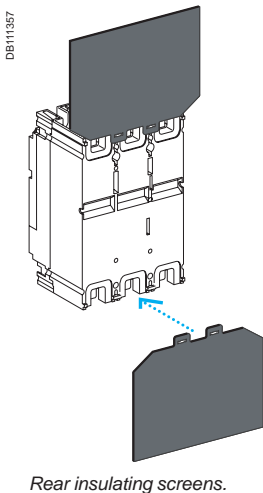
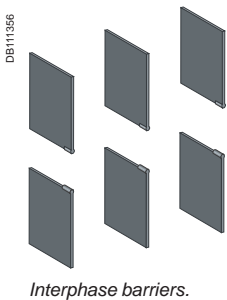
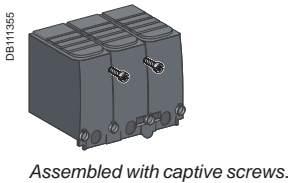
Adapter for 400/630 A - 4P base.
Connection with spreaders and interphase barriers.

Insulation of live parts

Terminal shields are identical for fixed and plug-in/withdrawable versions and cover all applications up to 1000 V. They exist for the 100 to 250 A and 400/630 A ratings, in long and short versions.



- 1 Partially cut removable squares.
- 2 Grids with break marks.



Terminal shields

Insulating accessories used for protection against direct contact with power circuits. They provide IP40 degree of protection and IK07 mechanical impact protection.

Terminal-shield types

Compact NSX100 to 250 and NSX400/630 3P or 4P can be equipped with:

- short terminal shields
- long terminal shields.

All terminal shields have holes or knock-outs in front for voltage-presence indicators.

Short terminal shields

They are used with:

- plug-in and withdrawable versions in all connection configurations
- fixed versions with rear connection.

Long terminal shields

They are used for front connection with cables or insulated bars.

They comprise two parts assembled with captive screws, forming an IP40 cover.

- The top part is equipped with sliding grids with break marks for precise adaptation to cables or insulated bars.

- The rear part completely blocks off the connection zone. Partially cut squares can be removed to adapt to all types of connection for cables with lugs or copper bars.

Long terminal shields may be mounted upstream and downstream of:

- fixed devices
- the base of plug-in and withdrawable versions, thus completing the insulation provided by the mandatory short terminal shields on the device
- the one-piece spreader for NSX100 to 250
- the 52.5 mm spreaders for NSX400/630.

Terminal shields and pitch

Combination possibilities are shown below.

Circuit breaker	NSX100/160/250 NSX400/630		
Short terminal shields			
Pitch (mm)	35	45	
Long terminal shields			
Pitch (mm)	35	45	52.5

Interphase barriers

Safety accessories for maximum insulation at the power-connection points:

- they clip easily onto the circuit breaker
- single version for fixed devices and adapters on plug-in bases
- not compatible with terminal shields
- the adapter for the plug-in base is required for mounting on plug-in and withdrawable versions.

Rear insulating screens

Safety accessories providing insulation at the rear of the device.

Their use is mandatory for devices with spreaders, installed on backplates, when terminal shields are not used.

The available screen dimensions are shown below.

Circuit breaker		NSX100/160/250	NSX400/630
3P	W x H x thickness (mm)	140 x 105 x 1	203 x 175 x 1.5
4P	W x H x thickness (mm)	175 x 105 x 1	275 x 175 x 1.5

Standard

All Compact NSX100/160/250 circuit breakers and switch-disconnectors have slots for the electrical auxiliaries listed below.

5 indication contacts (see page A-80)

- 2 ON/OFF (OF1 and OF2)
- 1 trip indication (SD)
- 1 fault-trip indication (SDE)
- 1 earth-fault indication (SDV), when the device is equipped with a Vigi module.

1 remote-tripping release (see page A-83)

- either 1 MN undervoltage release
- or 1 MX shunt release.

Remote indications

Circuit breakers equipped with Micrologic trip units may be equipped with a fault-trip indication to identify the type of fault by installing:

1 indication module with two outputs (see page A-81)

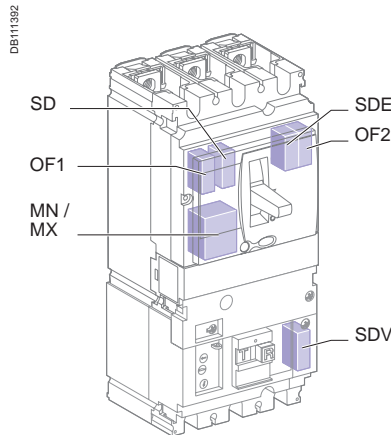
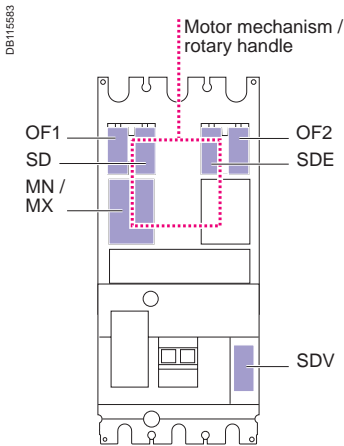
- either an SDx module with Micrologic 2.2 / 5.2 A or E / 6.2 A or E
 - or an SDTAM module with Micrologic 2.2 M or 6-2 E-M (motor protection).
- This module occupies the slots of one OF contact and an MN/MX release.

All these auxiliaries may be installed with a motor mechanism or a rotary handle.

The following table indicates auxiliary possibilities depending on the type of trip unit.

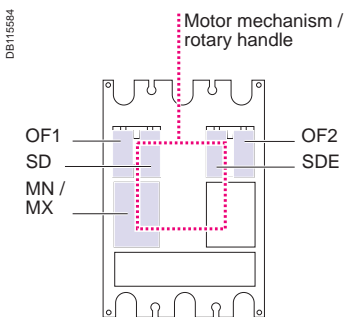
NA, TMD, TMG, MA

Standard



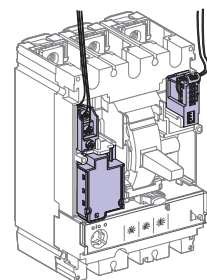
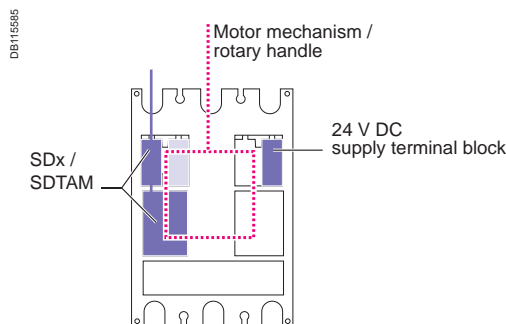
Micrologic 2 / 5 / 6

Standard



Remote indications via SDx or SDTAM

OR



The SDx or SDTAM uses the OF1 and MN/MX slots.
External connection is made via a terminal block in the OF1 slot.
The 24 V DC supply provides for the Micrologic 5 / 6 display when the device is OFF or under low-load conditions.

Communication

Communication requires specific auxiliaries (see page A-26).

Communication of status indications

- 1 BSCM module.
- 1 NSX cord (internal terminal block) for both communication and 24 V DC supply to the BSCM.

Communication of status conditions is compatible with a standard motor mechanism and a rotary handle.

Communication of status indications and controls

This requires, in addition to the previous auxiliaries:

- 1 communicating motor mechanism connected to the BSCM.

Communication of measurements

Available on Micrologic 5 / 6, the system consists of:

- 1 NSX cord (internal terminal block) for both communication and 24 V DC supply to the Micrologic.

Communication of measurements is compatible with a standard or communicating motor mechanism and a rotary handle.

Communication of status indications, controls and measurements

Available on Micrologic 5 / 6, the system consists of:

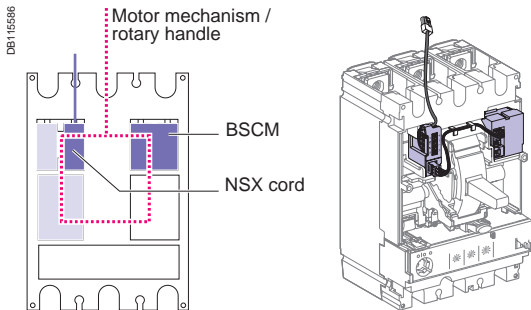
- 1 BSCM module
- 1 NSX cord (internal terminal block) for both communication and 24 V DC supply to the BSCM and the Micrologic
- 1 communicating motor mechanism connected to the BSCM.

Installation of SDx or SDTAM is compatible with communication.

The following table indicates auxiliary possibilities depending on the type of trip unit.

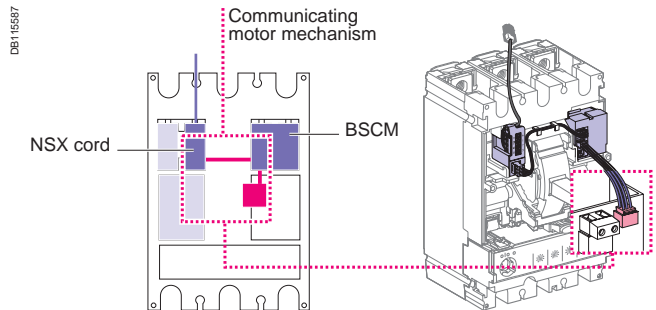
NA, TMD, TMG, MA, Micrologic 2

Communication of status indications



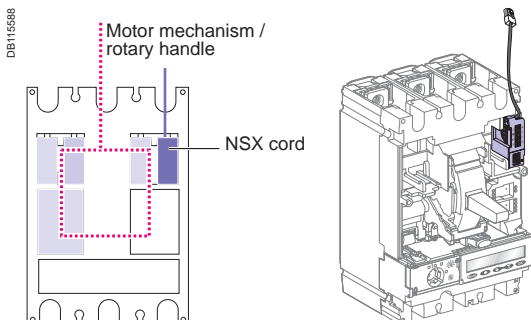
OR

Communication of status indications and controls



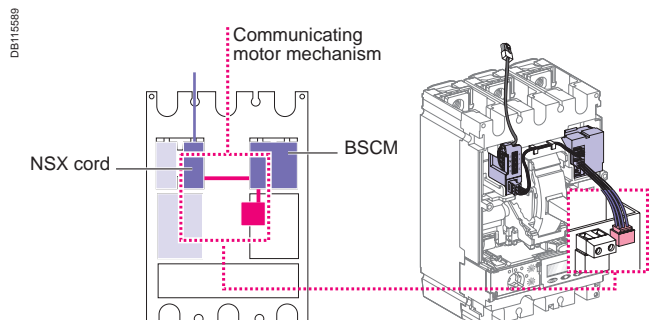
Micrologic 5 / 6

Communication of measurements with or without FDM121 display



OR

Communication of status indications, controls and measurements with or without FDM121 display



Standard

All Compact NSX400/630 circuit breakers and switch-disconnectors have slots for the electrical auxiliaries listed below.

7 indication contacts (see page A-80)

- 4 ON/OFF (OF1, OF2, OF3, OF4)
- 1 trip indication (SD)
- 1 fault-trip indication (SDE)
- 1 earth-fault indication (SDV), when the device is equipped with a Vigi module.

1 remote-tripping release (see page A-83)

- either 1 MN undervoltage release
- or 1 MX shunt release.

Remote indications

Circuit breakers equipped with Micrologic trip units may be equipped with a fault-trip indication to identify the type of fault by installing:

1 indication module with two outputs (see page A-81)

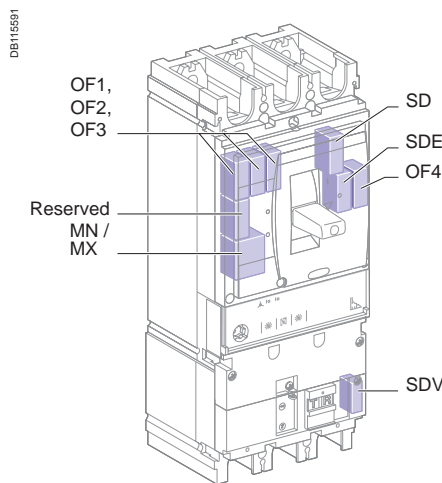
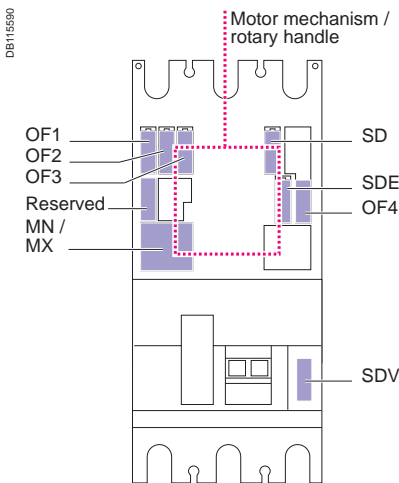
- either an SDx module with Micrologic 2.2 / 5.2 A or E / 6.2 A or E
 - or an SDTAM module with Micrologic 2.2 M or 6-2 E-M (motor protection).
- This module occupies the slots of an MN/MX release.

All these auxiliaries may be installed with a motor mechanism or a rotary handle.

The following table indicates auxiliary possibilities depending on the type of trip unit.

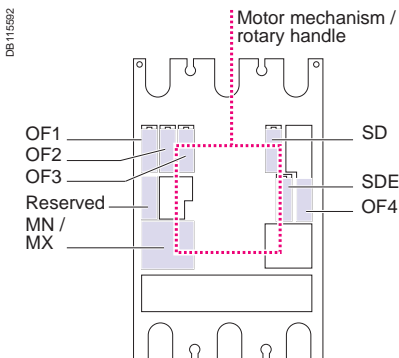
NA, Micrologic 1.3 M

Standard

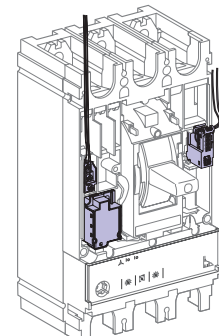
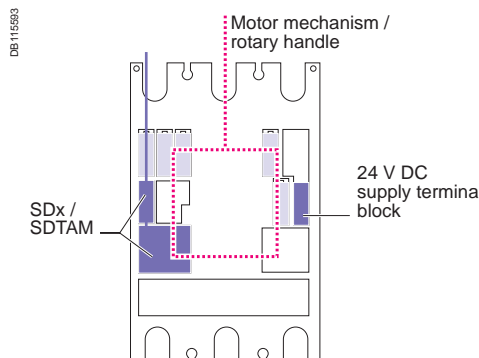


Micrologic 2 / 5 / 6

Standard



OR



The SDx or SDTAM uses the reserved slot and the MN/MX slots.
External connection is made via a terminal block in the reserved slot.
The 24 V DC supply provides for the Micrologic 5 / 6 display when the device is OFF or under low-load conditions.

Communication

Communication requires specific auxiliaries (see page A-26).

Communication of status indications

- 1 BSCM module
- 1 NSX cord (internal terminal block) for both communication and 24 V DC supply to the BSCM.

Communication of status conditions is compatible with a standard motor mechanism and a rotary handle.

Communication of status indications and controls

This requires, in addition to the previous auxiliaries:

- 1 communicating motor mechanism connected to the BSCM.

Communication of measurements

Available on Micrologic 5 / 6, the system consists of:

- 1 NSX cord (internal terminal block) for both communication and 24 V DC supply to the Micrologic.

Communication of measurements is compatible with a standard or communicating motor mechanism and a rotary handle.

Communication of status indications, controls and measurements

Available on Micrologic 5 / 6, the system consists of:

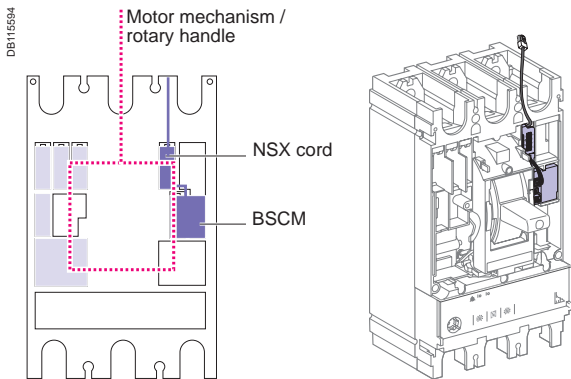
- 1 BSCM module
- 1 NSX cord (internal terminal block) for both communication and 24 V DC supply to the BSCM and the Micrologic
- 1 communicating motor mechanism connected to the BSCM.

Installation of SDx or SDTAM is compatible with communication.

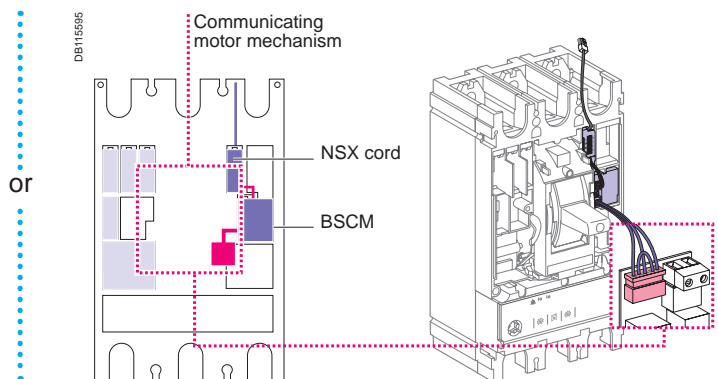
The following table indicates auxiliary possibilities depending on the type of trip unit.

NA, Micrologic 1.3 M, Micrologic 2

Communication of status indications

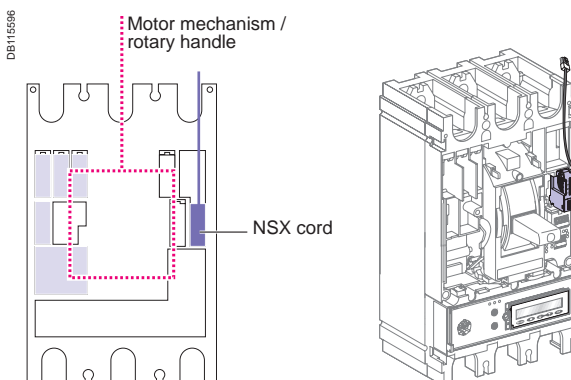


Communication of status indications and controls

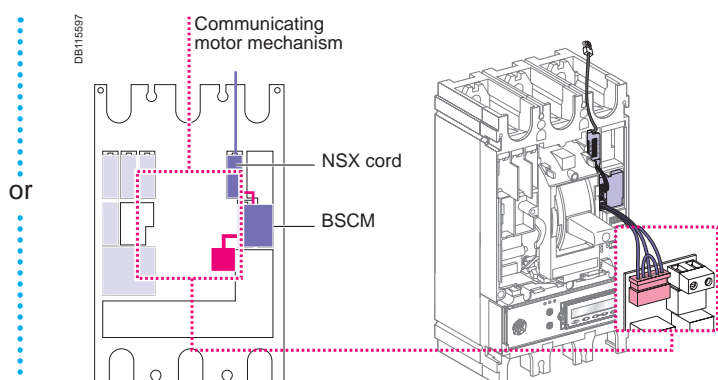


Micrologic 5 / 6

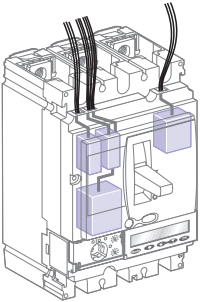
Communication of status indications



Communication of status indications, controls and measurements with or without FDM121 display



DB112162

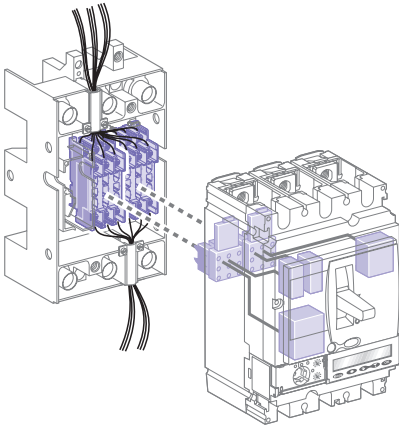


Fixed Compact NSX.

Fixed Compact NSX

Auxiliary circuits exit the device through a knock-out in the front cover.

DB112167



Plug-in/withdrawable Compact NSX.

Withdrawable or plug-in Compact NSX

Automatic auxiliary connectors

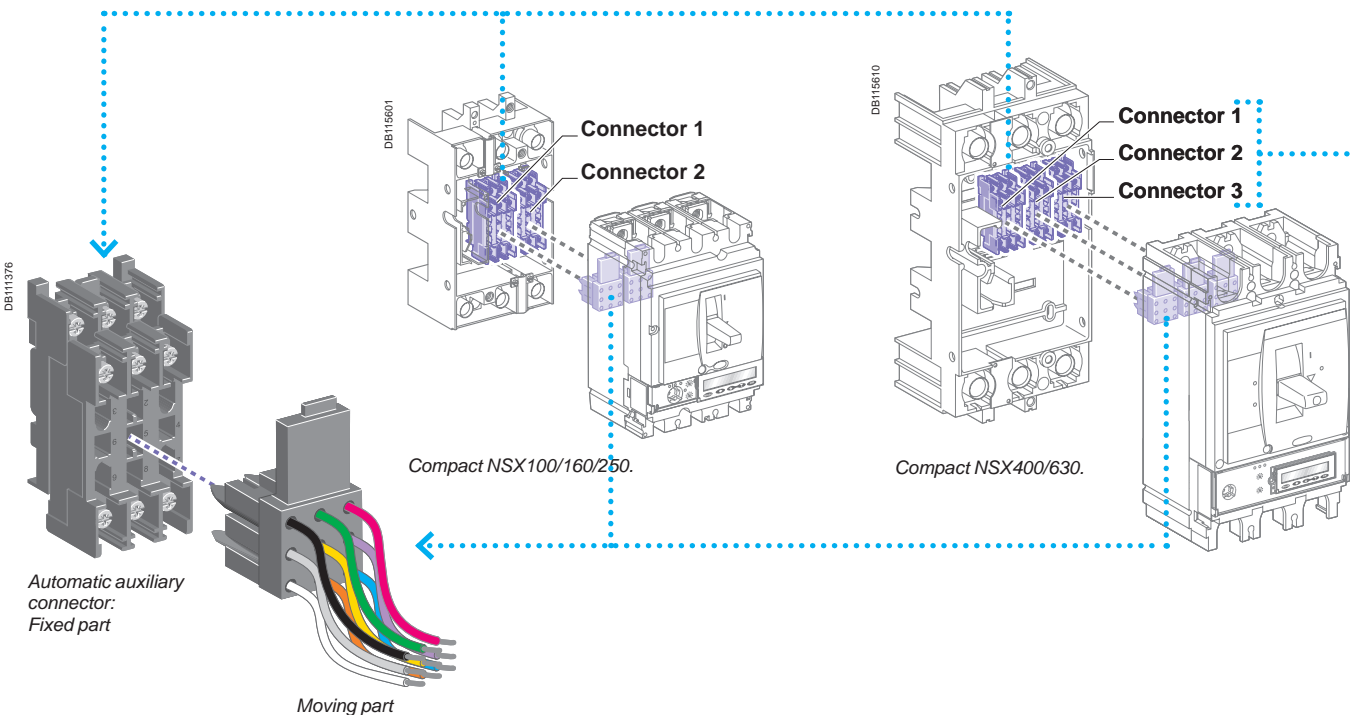
Auxiliary circuits exit the circuit breaker via one to three automatic auxiliary connectors (nine wires each). These are made up of:

- a moving part, connected to the circuit breaker via a support (one support per circuit breaker)
- a fixed part, mounted on the plug-in base, equipped with connectors for bare cables up to 2.5 mm².

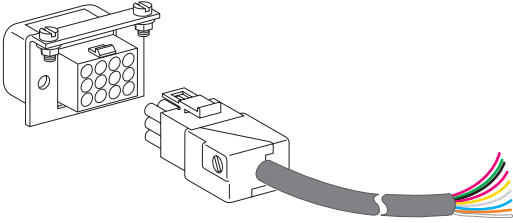
Micrologic trip unit options are also wired via the automatic auxiliary connectors.

Selection of automatic auxiliary connectors

Depending on the functions installed, one to three automatic auxiliary connectors are required.



DB11379



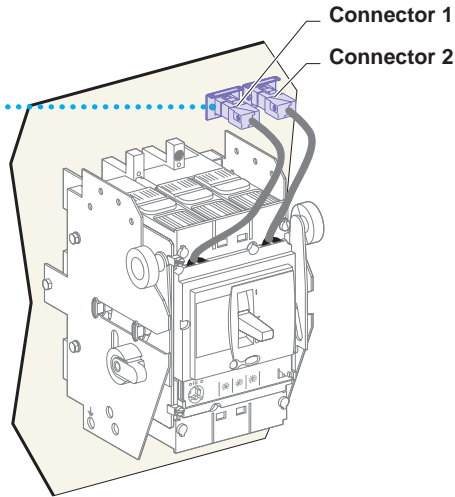
Nine-wire manual auxiliary connector.

Withdrawable Compact NSX

Manual auxiliary connectors

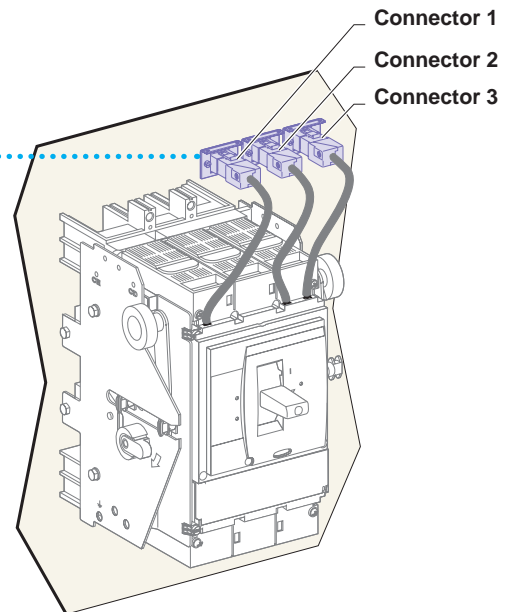
As an option to the automatic auxiliary connectors, withdrawable circuit breakers may be equipped with one to three plugs with nine wires each. In "disconnected" position, the auxiliaries remain connected. They can then be tested by operating the device.

DB115802



Compact NSX100/160/250.

DB116611



Compact NSX400/630.

Each auxiliary is equipped with a terminal block with numbered terminals for connection of wires up to:

- 1.5 mm² for auxiliary contacts and voltage releases
- 2.5 mm² for the motor-mechanism module.

Circuit breaker	Connector 1	Connector 2	Connector 3
	OF1 MN/MX or SDx/ SDTAM SD	OF2/SDV / ZSI out ⁽¹⁾ SDE NSX cord MT MTc 24 V DC	OF3 OF4 ZSI in ZSI out
NSX100/160/250	■	■	-
NSX400/630	■	■	■

⁽¹⁾ Only for NSX100 to 250.

MT: motor mechanism.

MTc: communicating motor mechanism.

One contact model provides circuit-breaker status indications (OF - SD - SDE - SDV).

An early-make or early-break contact, in conjunction with a rotary handle, can be used to anticipate device opening or closing.

A CE / CD contact indicates that the chassis is connected / disconnected.

These common-point changeover contacts provide remote circuit-breaker status information.

They can be used for indications, electrical locking, relaying, etc.

They comply with the IEC 60947-5 international recommendation.

Functions

Breaker-status indications, during normal operation or after a fault

A single type of contact provides all the different indication functions:

- OF (ON/OFF) indicates the position of the circuit breaker contacts
- SD (trip indication) indicates that the circuit breaker has tripped due to:
 - an overload
 - a short-circuit
 - an earth fault (Vigi) or a ground fault (Micrologic 6)
 - operation of a voltage release
 - operation of the "push to trip" button
 - disconnection when the device is ON.

The SD contact returns to de-energised state when the circuit breaker is reset.

- SDE (fault-trip indication) indicates that the circuit breaker has tripped due to:
 - an overload
 - a short-circuit
 - an earth fault (Vigi) or a ground fault (Micrologic 6).

The SD contact returns to de-energised state when the circuit breaker is reset.

- SDV indicates that the circuit breaker has tripped due to an earth fault. It returns to de-energised state when the Vigi module is reset.

All the above auxiliary contacts are also available in "low-level" versions capable of switching very low loads (e.g. for the control of PLCs or electronic circuits).

Rotary-handle position contact for early-make or early-break functions

- CAM (early-make or early-break function) contacts indicate the position of the rotary handle.

They are used in particular for advanced opening of safety trip devices (early break) or to energise a control device prior to circuit-breaker closing (early make).

Chassis-position contacts

- CE/CD (connected/disconnected) contacts are microswitch-type carriage switches for withdrawable circuit breakers.

Installation

- OF, SD, SDE and SDV functions: a single type of contact provides all these different indication functions, depending on where it is inserted in the device. The contacts clip into slots behind the front cover of the circuit breaker (or the Vigi module for the SDV function).

The SDE function on a Compact NSX100 - 250 A equipped with a magnetic, thermal-magnetic or Micrologic 2 trip unit requires the SDE actuator.

- CAM function: the contact fits into the rotary-handle unit (direct or extended).
- CE/CD function: the contacts clip into the fixed part of the chassis.

DE125549



Indication contacts.

PB103706



CE/CD carriage switches.

Electrical characteristics of auxiliary contacts

Contacts		Standard				Low level			
Types of contacts		All				OF, SD, SDE, SDV			
Rated thermal current (A)		6				5			
Minimum load		100 mA at 24 V DC				1 mA at 4 V DC			
Utilisation cat. (IEC 60947-5-1)		AC12	AC15	DC12	DC14	AC12	AC15	DC12	DC14
Operational current (A)	24 V AC/DC	6	6	6	1	5	3	5	1
	48 V AC/DC	6	6	2.5	0.2	5	3	2.5	0.2
	110 V AC/DC	6	5	0.6	0.05	5	2.5	0.6	0.05
	220/240 V AC	6	4	-	-	5	2	-	-
	250 V DC	-	-	0.3	0.03	5	-	0.3	0.03
	380/440 V AC	6	2	-	-	5	1.5	-	-
480 V AC	6	1.5	-	-	5	1	-	-	
660/690 V AC	6	0.1	-	-	-	-	-	-	

SDx and SDTAM modules for Micrologic

SDx and SDTAM are relay modules with two static outputs. They send different signals depending on the type of fault. They may not be used together.



SDx relay module with its terminal block.



SDTAM relay module with its terminal block.

SDx module

The SDx module removes the trip or alarm conditions of Compact NSX circuit breakers equipped with electronic protection.

The SD2 output, available on all Micrologic trip units, corresponds to the overload-trip indication.

The SD4 output, available on Micrologic 5 / 6, is assigned to:

- overload pre-alarm (Micrologic 5)
- ground-fault trip indication (Micrologic 6).

These two outputs automatically reset when the device is closed (turned ON).

For Micrologic 5 / 6, the SD2 and SD4 outputs can be reprogrammed to be assigned to other types of tripping or alarm.

Output characteristics

It is possible to assign a function:

- latching with a time delay. Return to the initial state occurs at the end of the time delay
- permanent latching. In this case, return to the initial state takes place via the communication function.

Static outputs: 24 to 415 V AC / V DC; 80 mA max.

SDTAM module

The SDTAM module is specifically for the motor-protection Micrologic trip units 2.2 M, 2.3 M and 6.2 E-M, 6.3 E-M.

The SDTAM module, linked to the contactor controller, opens the contactor when an overload or other motor fault occurs, thus avoiding opening of the circuit breaker.

Micrologic 2 M

The SD4 output opens the contactor 400 ms before normal circuit-breaker opening in the following cases:

- overload (long-time protection for the trip class)
- phase unbalance or phase loss.

The SD2 output serves to memorise contactor opening by SDTAM.

Micrologic 6 E-M

The SD4 output opens the contactor 400 ms before normal circuit-breaker opening in the following cases:

- overload (long-time protection for the trip class)
- phase unbalance or phase loss
- locked rotor
- underload (undercurrent protection)
- long start.

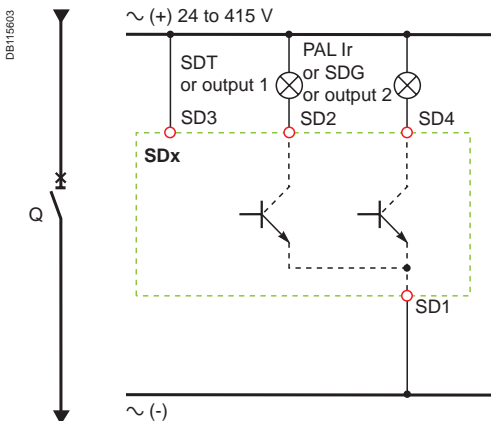
The SD2 output serves to memorise contactor opening by SDTAM.

Output characteristics

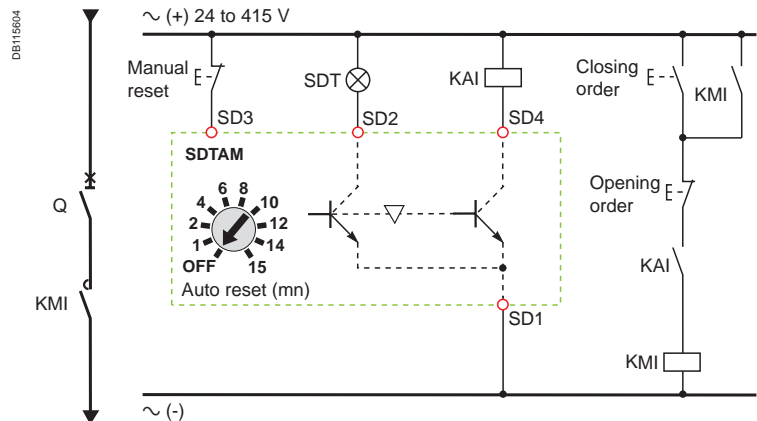
Output reset can be:

- manual by a pushbutton included in the wiring diagram
- automatic after an adjustable time delay (1 to 15 minutes) to take into account the motor-cooling time.

Static outputs: 24 to 415 V AC / V DC; 80 mA max.



SDx wiring diagram.



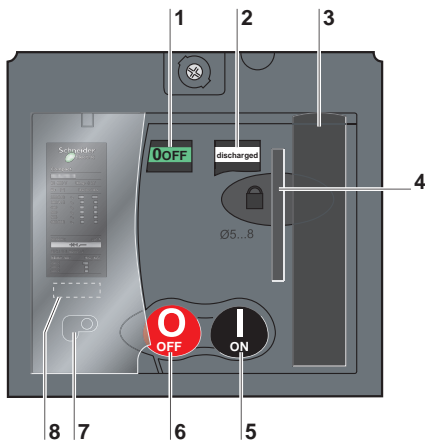
SDTAM wiring diagram with contactor control.

PE10372-30



Compact NSX250 with motor mechanism.

DB111335



- 1 Position indicator (positive contact indication)
- 2 Spring status indicator (charged, discharged)
- 3 Manual spring-charging lever
- 4 Keylock device (optional)
Locking device (OFF position), using 1 to 3 padlocks, shackle diameter 5 to 8 mm, not supplied
- 5 I (ON) pushbutton
- 6 O (OFF) pushbutton
- 7 Manual/auto mode selection switch. The position of this switch can be indicated remotely.
- 8 Operation counter (Compact NSX400/630)

When equipped with a **motor-mechanism** module, Compact NSX circuit breakers feature very high mechanical endurance as well as easy and sure operation:

- all circuit-breaker indications and information remain visible and accessible, including trip-unit settings and indications
- suitability for isolation is maintained and padlocking remains possible
- double insulation of the front face.

A specific motor mechanism is required for operation via the communication function. This **communicating motor mechanism** must be connected to the BSCM module to receive the opening and closing orders. Operation is identical to that of a standard motor mechanism.

Applications

- Local motor-driven operation, centralised operation, automatic distribution control.
- Normal/standby source changeover or switching to a replacement source to ensure availability or optimise energy costs.
- Load shedding and reconnection.
- Synchrocoupling.

Operation

The type of operation is selected using the manual/auto mode selection switch (7). A transparent, lead-seal cover controls access to the switch.

Automatic

When the switch is in the "auto" position, the ON/OFF (I/O) buttons and the charging lever on the mechanism are locked.

- Circuit-breaker ON and OFF controlled by two impulse-type or maintained signals.
- Automatic spring charging following voluntary tripping (by MN or MX), with standard wiring.
- Mandatory manual reset following tripping due to an electrical fault.

Manual

When the switch is in the "manual" position, the ON/OFF (I/O) buttons may be used. A microswitch linked to the manual position can remote the information.

- Circuit-breaker ON and OFF controlled by 2 pushbuttons I/O.
- Recharging of stored-energy system by pumping the lever 8 times.
- Padlocking in OFF position.

Installation and connections

All installation (fixed, plug-in/withdrawable) and connection possibilities are maintained.

Motor-mechanism module connections are made behind its front cover to integrated terminals, for cables up to 2.5 mm².

Optional accessories

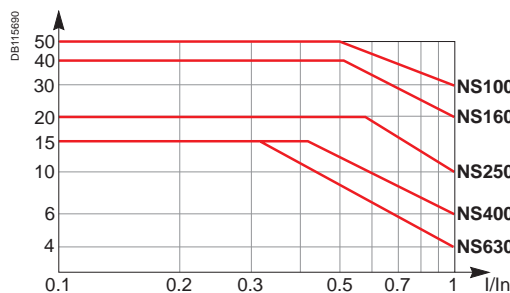
- Keylock for locking in OFF position.
- Operations counter for the Compact NSX400/630, indicating the number of ON/OFF cycles. Must be installed on the front of the motor-mechanism module.

Characteristics

Motor mechanism		MT100 to MT630	
Response time (ms)	opening	< 600	
	closing	< 80	
Operating frequency	cycles/minute max.	4	
Control voltage (V)	DC	24/30 - 48/60 - 110/130 - 250	
	AC 50/60 Hz	48 (50 Hz) - 110/130 - 220/240 - 380/440	
Consumption ⁽¹⁾	DC (W)	opening	≤ 500
		closing	≤ 500
	AC (VA)	opening	≤ 500
		closing	≤ 500

⁽¹⁾ For NSX100 to NSX250, the inrush current is 2 I_n for 10 ms.

Electrical endurance



Circuit breaker + motor-mechanism module, in thousands of operations (IEC 60947 2), at 440 V.

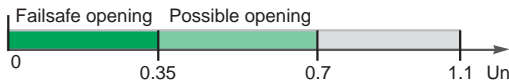
Remote tripping

DB115650



MX or MN voltage release.

DB115605



Opening conditions of the MN release.

DB115606

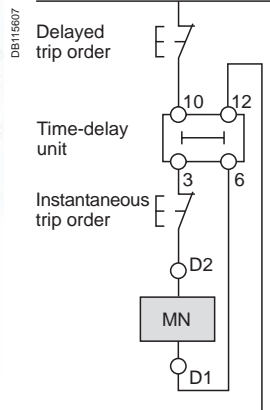


Closing conditions of the MN release.

PR103752-32

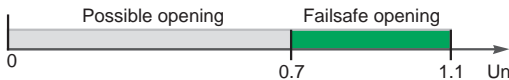


MN release with a time-delay unit.



Wiring diagram for emergency-off function with MN + time-delay unit.

DB115608



Opening conditions of the MX release.

MX or MN voltage releases are used to trip the circuit breaker. They serve primarily for remote, emergency-off commands. It is advised to test the system every six months.

MN undervoltage release

The MN release opens the circuit breaker when its supply voltage drops to a value below 35% of its rated voltage U_n .

Undervoltage tripping, combined with an emergency-off button, provides fail-safe tripping. The MN release is continuously supplied, i.e. if supply is interrupted:

- either voluntarily, by the emergency-off button,
- or accidentally, through loss of power or faulty wiring, the release provokes opening of the circuit breaker.

Opening conditions

Circuit-breaker tripping by an MN release meets the requirements of standard IEC 60947-2.

- Automatic opening of the circuit breaker is ensured when the continuous voltage supply to the release $U \leq 0.35 \times U_n$.
- If the supply voltage is between 0.35 and 0.7 U_n , opening is possible, but not guaranteed. Above 0.7 U_n , opening does not take place.

Closing conditions

If there is no supply to the MN release, it is impossible to close the circuit breaker, either manually or electrically. Closing is ensured when the voltage supply to the release $U \geq 0.85 \times U_n$. Below this threshold, closing is not guaranteed.

Characteristics

Power supply	V AC	50/60 Hz: 24 - 48 - 100/130 - 200/240
		50 Hz: 380/415 60 Hz: 208/277
Operating threshold	V DC	12 - 24 - 30 - 48 - 60 - 125 - 250
	Opening	0.35 to 0.7 U_n
	Closing	0.85 U_n
Operating range		0.85 to 1.1 U_n
Consumption (VA or W)		Pick-up: 30 - Hold: 5
Response time (ms)		50

Time-delay unit for an MN release

A time delay unit for the MN release eliminates the risk of nuisance tripping due to a transient voltage dip lasting ≤ 200 ms. For shorter micro-outages, a system of capacitors provides temporary supply to the MN at $U > 0.7$ to ensure non tripping. The correspondence between MN releases and time-delay units is shown below.

Power supply	Corresponding MN release
Unit with fixed delay 200 ms	
48 V AC	48 V DC
220 / 240 V AC	250 V DC
Unit with adjustable delay ≤ 200 ms	
48 - 60 V AC/DC	48 V DC
100 - 130 V AC/DC	125 V DC
220 - 250 V AC/DC	250 V DC

MX shunt release

The MX release opens the circuit breaker via an impulse-type (≥ 20 ms) or maintained order.

Opening conditions

When the MX release is supplied, it automatically opens the circuit breaker. Opening is ensured for a voltage $U \geq 0.7 \times U_n$.

Characteristics

Power supply	V AC	50/60 Hz: 24 - 48 - 100/130 - 200/240
		50 Hz: 380/415 60 Hz: 208/277
	V DC	12 - 24 - 30 - 48 - 60 - 125 - 250
	Operating range	0.7 to 1.1 U_n
Consumption (VA or W)		Pick-up: 30
Response time (ms)		50

Circuit breaker control by MN or MX

When the circuit breaker has been tripped by an MN or MX release, it must be reset before it can be reclosed.

MN or MX tripping takes priority over manual closing.

In the presence of a standing trip order, closing of the contacts, even temporary, is not possible.

Connection using wires up to 1.5 mm² to integrated terminal blocks.

Note: circuit breaker opening using an MN or MX release must be reserved for safety functions. This type of tripping increases wear on the opening mechanism. Repeated use reduces the mechanical endurance of the circuit breaker by 50 %.

There are two types of rotary handle:

- direct rotary handle
- extended rotary handle.

There are two models:

- standard with a black handle
- red handle and yellow front for machine-tool control.

PB103585-40



Compact NSX with a rotary handle.

PB103607-50



Compact NSX with an MCC rotary handle.

PB103608-50



Compact NSX with a CNOMO machine-tool rotary handle.

PB103586-50



Compact NSX with an extended rotary handle installed at the back of a switchboard, with the keylock option and key.

Direct rotary handle

Standard handle

Degree of protection IP40, IK07.

The direct rotary handle maintains:

- visibility of and access to trip-unit settings
- suitability for isolation
- indication of the three positions O (OFF), I (ON) and tripped
- access to the "push to trip" button.

Device locking

The rotary handle facilitates circuit-breaker locking.

■ Padlocking:

- standard situation, in the OFF position, using 1 to 3 padlocks, shackle diameter 5 to 8 mm, not supplied
- with a simple modification, in the ON and OFF positions. Locking in the ON position does not prevent free circuit-breaker tripping if a fault occurs. In this case, the handle remains the ON position after the circuit breaker tripping. Unlocking is required to go to the tripped then the OFF position.

■ Keylock (and padlock)

It is possible to install a Ronis or Profalux keylock (optional) on the base of the handle to obtain the same functions as with a padlock.

Early-make or early-break contacts (optional)

Early-make and/or early-break contacts may be used with the rotary handle. It is thus possible to:

- supply an MN undervoltage release before the circuit breaker closes
- open the contactor control circuit before the circuit breaker opens.

MCC switchboard control

Control of an MCC switchboard is achieved by adding a kit to the standard handle. In addition to the standard functions, the kit offers the characteristics listed below.

Higher degree of protection IP

Degree of protection IP43, IK07.

The IP is increased by a built-in gasket.

Door locking depending on device position

- The door cannot be opened if the circuit breaker is ON or in the tripped position. For exceptional situations, door locking can be temporarily disabled with a tool to open the door when the circuit breaker is closed. This operation is not possible if the handle is locked by a padlock.
- Circuit-breaker closing is disabled if the door is open. This function can be deactivated.

Machine-tool control in compliance with CNOMO

Control of a machine-tool is achieved by adding a kit to the standard handle. In addition to the standard functions, the kit offers the characteristics listed below.

Enhanced waterproofness and mechanical protection

- Degree of protection IP54, IK08.
- Compliance with CNOMO E03.81.501N.

Extended rotary handle

Degree of protection IP56, IK08.

The extended rotary handle makes it possible to operate circuit breakers installed at the back of switchboards, from the switchboard front.

It maintains:

- visibility of and access to trip-unit settings
- suitability for isolation
- indication of the three positions O (OFF), I (ON) and tripped.

Mechanical door locking when device closed

A standard feature of the extended rotary handle is a locking function, built into the shaft, that disables door opening when the circuit breaker is in the ON or tripped positions.

Door locking can be temporarily disabled with a tool to open the door without opening the circuit breaker. This operation is not possible if the handle is locked by a padlock.

Voluntary disabling of mechanical door locking

A modification to the handle, that can be carried out on site, completely disables door locking, including when a padlock is installed on the handle. The modification is reversible.

When a number of extended rotary handles are installed on a door, this disabling function is the means to ensure door locking by a single device.



Extended rotary handle (cont.)

Device and door padlocking

Padlocking locks the circuit-breaker handle and disables door opening:

- standard situation, in the OFF position, using 1 to 3 padlocks, shackle diameter 5 to 8 mm, not supplied
 - with a simple modification, in the ON and OFF positions. Locking in the ON position does not prevent free circuit-breaker tripping if a fault occurs. In this case, the handle remains in the ON position after the circuit breaker tripping. Unlocking is required to go to the tripped then the OFF position.
- If the door controls were modified to voluntarily disable door locking, padlocking does not lock the door, but does disable handle operation of the device.

Device locking using a keylock inside the switchboard

It is possible to install a Ronis or Profalux keylock (optional) on the base of the rotary handle to lock the device in the OFF position or in either the ON or OFF positions.

Accessory for device operation with the door open

When the device is equipped with an extended rotary handle, a control accessory mounted on the shaft makes it possible to operate the device with the door open.

- The device can be padlocked in the OFF position.
- The accessory complies with UL508.

Early-make or early-break contacts (optional)

The extended rotary handle offers the same possibilities with early-make and/or early-break contacts as the standard rotary handle.

Parts of the extended rotary handles

- A unit that replaces the front cover of the circuit breaker (secured by screws).
- An assembly (handle and front plate) on the door that is always secured in the same position, whether the circuit breaker is installed vertically or horizontally.
- An extension shaft that must be adjusted to the distance. The min/max distance between the back of circuit breaker and door is:
 - 185...600 mm for Compact NSX100 to 250
 - 209...600 mm for Compact NS400/630.

For withdrawable devices, the extended rotary handle is also available with a telescopic shaft to compensate for device disconnection. In this case, the min/max distances are:

- 248...600 mm for Compact NSX100 to 250
- 272...600 mm for Compact NS400/630.

Manual source-changeover systems

An additional accessory interlocks two devices with rotary handles to create a source-changeover system. Closing of one device is possible only if the second is open.

This function is compatible with direct or extended rotary handles.

Up to three padlocks can be used to lock in the OFF or ON position.



PB103795-36



Voltage-presence indicator.

Voltage-presence indicator

The indicator detects and indicates that circuit breaker terminals are supplied with power.

Installation

- Mounted in the long or short terminal shields, via the knockouts.
- May be positioned upstream or downstream of the circuit breaker.
- Degree of protection IP40, IK04.
- Not compatible with the motor-mechanism module.

Electrical characteristics

Operates on all networks with voltages ranging from 220 to 550 V AC.

PB103800-32



Compact NSX with current-transformer module.

Current-transformer module

This module enables direct connection of a measurement device such as an ammeter or a power meter.

Installation

- The module is installed directly on the downstream circuit-breaker terminals.
- Degree of protection IP40, IK04.
- Class II insulation between front and the power circuits.
- Connection to 6 integrated connectors for cables up to 2.5 mm².

Electrical characteristics

- Current transformer with 5 A secondary winding.
- Class 3 for the following output-power consumptions:

Accuracy:

- 100 A rating: 1.6 VA
- 150 A rating: 3 VA
- 250 A rating: 5 VA
- 400/600 A rating: 8 VA.

Current-transformer module with voltage measurement outputs

This module enables direct connection of a digital measurement device such as a Power Meter PM700, PM800, etc. (not supplied).

Installation

- The module is installed directly on the downstream circuit-breaker terminals.
- Degree of protection IP40, IK04.
- Class II insulation between front and the power circuits.
- Built-in connectors for cables from 1.5 to 2.5 mm².

Electrical characteristics

- Rated operational voltage U_e : 530 V
- Frequencies of measured values: 50...60 Hz
- Three CTs with 5 A secondary windings for the rated primary current I_n :
 - class 0.5 to 1 for rated power consumption values at the output:
 - 125 A, 150 A and 250 A ratings: class 1 for 1.1 VA
 - 400/600 A rating: class 0.5 for 2 VA
 - Connection using a 2.5 mm² cable up to 2.5 m long.
- Four voltage measurement outputs including protection with automatic reset.
- voltage measurement output impedance $3500 \Omega \pm 25 \%$, maximum current 1 mA
- The voltage measurement outputs are intended only for measurements (1 mA max.) and may not be used to supply the display.

PB103801-32



Compact NSX with ammeter module.

Ammeter and I_{max} ammeter modules

Ammeter module

Measures and displays (dial-type ammeter) the current of each phase (selection of phases by 3-position switch in front).

I_{max} ammeter module

Measures and displays (dial-type ammeter) the maximum current flowing in the middle phase. The I_{max} value can be reset on the front.

Installation

- Identical for both types of ammeter module.
- The module is installed directly on the downstream circuit-breaker terminals.
- The ammeter clips into the module in any of four 90° positions, i.e. it can be installed on devices mounted both vertically and horizontally.
- Degree of protection IP40, IK04.
- Class II insulation between front and the power circuits.

Electrical characteristics

- Ammeter module: accuracy class 4.5
- I_{max} ammeter module: accuracy $\pm 6 \%$
- Maximum currents are displayed only if they last ≥ 15 minutes.



Insulation monitoring module.

Insulation monitoring module

This module detects and indicates an insulation drop on a load circuit (TN-S or TT systems).

Operation is identical to that of a Vigi module, but without circuit-breaker tripping.

Indication by a red LED in front.

An auxiliary contact may be installed for remote insulation-drop indications.

When insulation drops below a minimum, user-set threshold, the LED goes on and the auxiliary contact switches. The fault indication cannot be cancelled except by pressing the manual reset button.

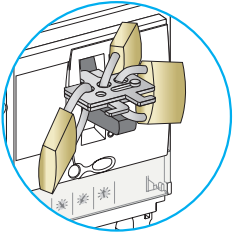
Installation

- The module is installed directly on the downstream circuit-breaker terminals.
- Degree of protection IP40, IK04.
- Double insulation of the front face.

Electrical characteristics

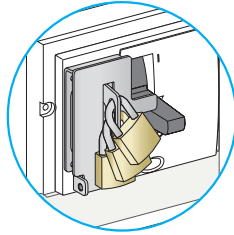
- Settings: 100 - 200 - 500 - 1000 mA
- Accuracy: -50 +0 %
- Time delay following insulation drop: 5 to 10 seconds
- AC-system voltage: 200 to 440 V AC.

DB11364



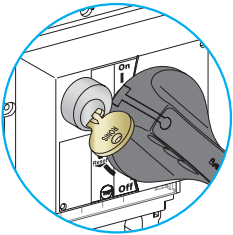
Toggle locking using padlocks and an accessory:
Removable device

DB11365



Fixed device attached to the case.

DB11363



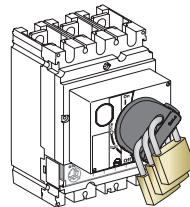
Rotary-handle locking using a keylock.

Locking in the OFF position guarantees isolation as per IEC 60947-2. Padlocking systems can receive up to three padlocks with shackle diameters ranging from 5 to 8 mm (padlocks not supplied). Certain locking systems require an additional accessory.

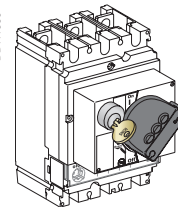
Control device	Function	Means	Required accessories	
Toggle	Lock in OFF position	Padlock	Removable device	
	Lock in OFF or ON position	Padlock	Fixed device	
Direct rotary handle	Standard	Lock in	Padlock	
		<ul style="list-style-type: none"> ■ OFF position ■ OFF or ON position (1) 	Keylock	Locking device + keylock
	MCC	Lock in	Padlock	-
CNOMO	Lock in	<ul style="list-style-type: none"> ■ OFF position ■ OFF or ON position (1) 	Padlock	-
		Extended rotary handle	Lock in	Padlock
Extended rotary handle	Lock in	<ul style="list-style-type: none"> ■ OFF position ■ OFF or ON position (1) with door opening prevented (2) 	Padlock	-
		Lock in OFF position	Padlock	UL508 control accessory
	<ul style="list-style-type: none"> ■ OFF or ON position (1) inside the switchboard 	Keylock	Locking device + keylock	
Motor mechanism	Lock in OFF position remote operation disabled	Padlock	-	
		Keylock	Locking device + keylock	
Withdrawable circuit breaker	Lock in	<ul style="list-style-type: none"> ■ disconnected position 	Padlock	-
		<ul style="list-style-type: none"> ■ connected position 	Keylock	Locking device + keylock
	<ul style="list-style-type: none"> ■ disconnected position ■ connected position 	Keylock	Locking device + keylock	

(1) Following a simple modification of the mechanism.
(2) Unless door locking has been voluntarily disabled.

DB11359

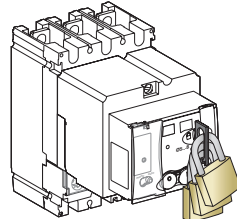


DB11359



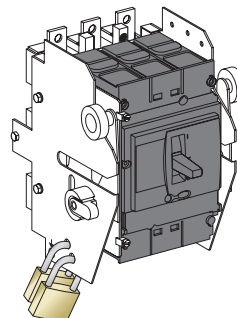
Rotary-handle locking using a padlock or a keylock.

DB11360

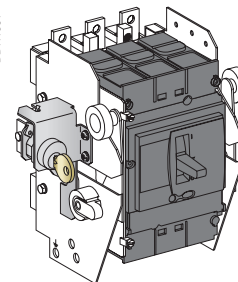


Motor-mechanism locking using a padlock or a keylock.

DB11362

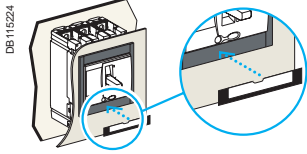


DB11361

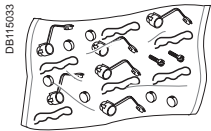


Chassis locking in the connected position.

Sealing accessories



Identification accessories.



Sealing accessories.

Outgoing-circuit identification

Compact NSX100 to 630 can be equipped with label holders supplied in sets of ten (cat. no. LV429226). They are compatible with escutcheons.

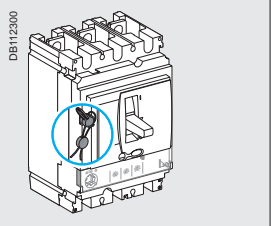
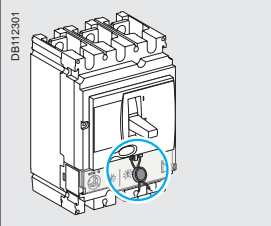
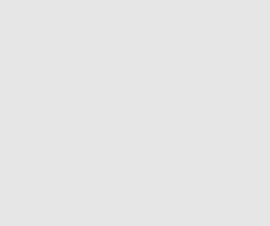
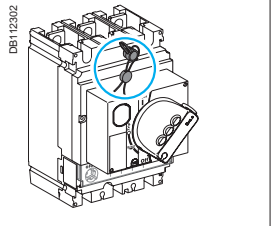
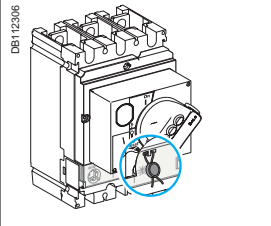

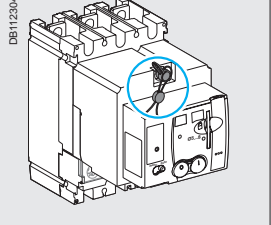
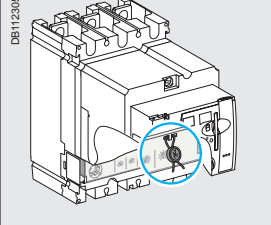
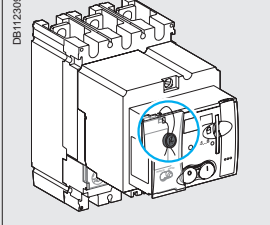
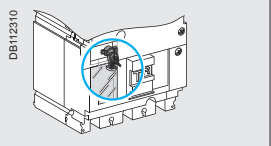
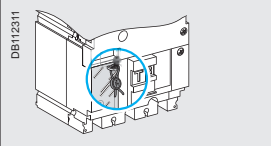
Sealing accessories

Sealing accessories are available. Each bag of accessories contains all the parts required for the types of sealing indicated below.

A bag contains:

- 6 sealing accessories
- 6 lead seals
- 0.5 m of wire
- 2 screws.

Types of seals and corresponding functions

Toggle control				
Rotary handle				
Motor mechanism				
Types of seals	Front-cover fixing screw	Trip-unit transparent cover	Motor-mechanism transparent cover	
Protected operations	<ul style="list-style-type: none"> ■ front removal ■ access to auxiliaries ■ trip-unit removal. 	<ul style="list-style-type: none"> ■ modification of settings ■ access to test connector. 	<ul style="list-style-type: none"> ■ access to manual/auto mode selection switch: depending on its position, manual ⁽¹⁾ or automatic operation is not possible. <i>(1) In this case, local operation is not possible.</i> 	<ul style="list-style-type: none"> ■ access to power connections (protection against direct contact).
Access to Vigi-module settings				
Types of seals	Vigi-module fixing device	Protection cover for settings		
Protected operations	<ul style="list-style-type: none"> ■ removal of the Vigi module. 	<ul style="list-style-type: none"> ■ modification of settings. 		

PB103593-40



IP55 heavy-duty metal enclosure.

PB103592-40



IP55 heavy-duty insulating enclosure.

Individual enclosures are available for Compact/Vigicompact NSX devices with two, three or four poles.

All fixed, front connections are possible, except right-angle, 45°, double-L and edgewise terminal extensions.

All spreaders may be installed in the enclosures intended for Compact/Vigicompact NSX250 to 630 devices, except the 70 mm spreaders for NSX400/630.

Two models of enclosures

■ IP55 heavy-duty metal individual enclosure, with:

- metal enclosure
- door with keylock and cut-out for rotary handle
- extended rotary handle, IP56, IK08, black or red/yellow
- device mounting plate
- removable plate (without holes) for cable entry through bottom.

■ IP55 heavy-duty insulating individual enclosure, with:

- polyester insulating enclosure
- transparent cover, screwed, lead sealable, with cut-out for extended rotary handle
- extended rotary handle, IP56, IK08, black or red/yellow
- device mounting plate
- 2 removable plates (without holes) for cable entry through bottom and/or top.

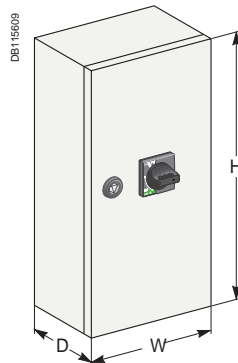
Dimensions (H x W x D in mm)

■ Metal enclosures:

- | | |
|---|-----------------|
| <input type="checkbox"/> Compact NSX100/160 | 450 x 350 x 250 |
| <input type="checkbox"/> Compact NSX250 and Vigicompact NSX100 to 250 | 650 x 350 x 250 |
| <input type="checkbox"/> Compact NSX400 | 650 x 350 x 250 |
| <input type="checkbox"/> Compact NSX630 and Vigicompact NSX400/630 | 850 x 350 x 250 |

■ Insulating enclosures:

- | | |
|--|-----------------|
| <input type="checkbox"/> Compact NSX100/160 | 360 x 270 x 235 |
| <input type="checkbox"/> Compact NSX250 and Vigicompact NSX100/160 | 540 x 270 x 235 |
| <input type="checkbox"/> Compact NSX400/630 | 720 x 360 x 235 |
| <input type="checkbox"/> Vigicompact NSX250/630 | 720 x 360 x 235 |



Escutcheons and protection collars

Escutcheons are an optional feature mounted on the switchboard door. They increase the degree of protection to IP40, IK07. Protection collars maintain the degree of protection, whatever the position of the device (connected, disconnected).

IP30 or IP40 escutcheons for fixed devices

IP30

The three types are glued to the cut-out in the front door of the switchboard:

- escutcheon for all control types (toggle, rotary handle or motor mechanism)
- without access to the trip unit
- with access to the trip unit
- for Vigi modules, can be combined with the above.

IP40

The four types, with a gasket, are screwed to the door cut-out:

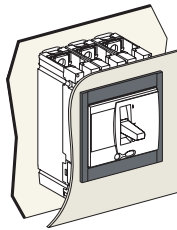
- three escutcheons identical to the previous, but IP40
- a wide model for Vigi and ammeter modules that can be combined with the above.

PB103690-43

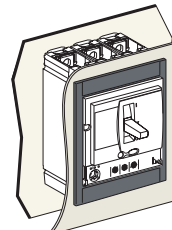


IP30 escutcheon.

DB112290



DB112291



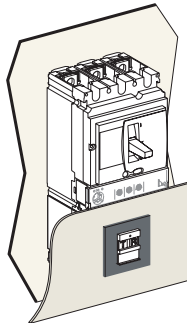
Escutcheon for toggle without and with access to the trip unit.

PB103696-50

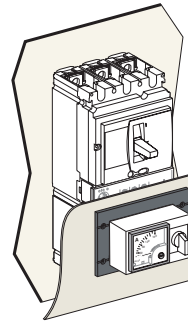


IP30 escutcheon with access to the trip unit.

DB112292



DB112293



Escutcheon for Vigi module.

Wide escutcheon for ammeter.

IP40 escutcheons for withdrawable devices

IP40 for withdrawable devices

The two types, with a gasket, are screwed to the door cut-out:

- for rotary handle or motor mechanism: standard IP40 escutcheon
- for toggle with extension: standard escutcheon + collar for withdrawal.

PB101777-36



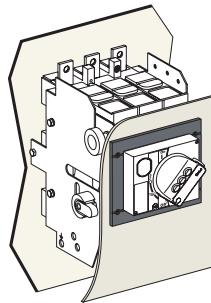
Escutcheon with collar for toggle.

PB103786-36



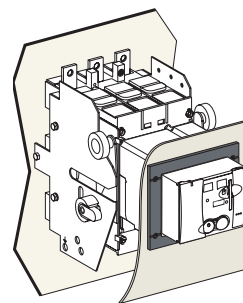
Escutcheon for Vigi module.

DB112294



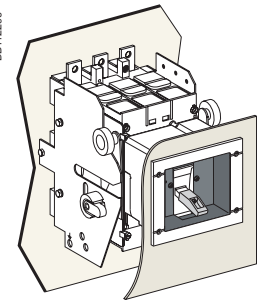
Standard escutcheon with rotary handle.

DB112295



Standard escutcheon for motor mechanism.

DB112296



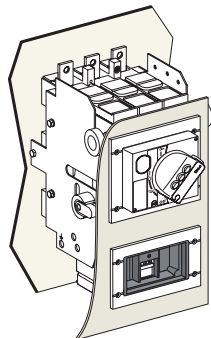
Standard escutcheon with collar for withdrawal, for toggle.

IP40 for Vigi module on withdrawable devices

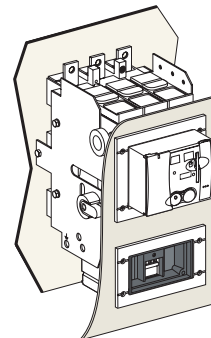
The two types, with a gasket, are screwed to the door cut-out:

- for rotary handle or motor mechanism: standard IP40 escutcheon
- for toggle: standard escutcheon + collar for withdrawal.

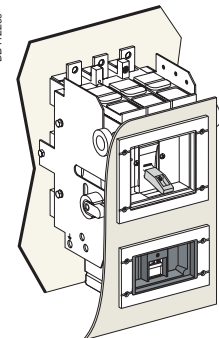
DB112297



DB112298



DB112299



Escutcheon for Vigi module, with escutcheons for the three types of control.

PB103775-40



Toggle cover.

PE103820-35



NS retrofit front cover.

IP43 toggle cover

Available only for devices with toggles. Fits over toggle and front cover of the device.

- Mounted on the front of the circuit breaker.
- Degree of protection IP43, IK07.

DB112218



Toggle cover.

Retrofit front covers

These replacement front covers make it possible to install NSX devices in existing switchboards containing NS devices by installing the NS-type retrofit covers on the NSX devices.

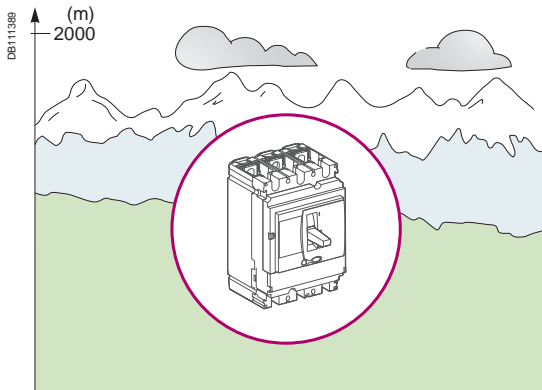
- NS100 to 250 cover.
- NS400/630 cover.



Operating safety



<i>Functions and characteristics</i>	A-1
Operating conditions	
Operating conditions	B-2
<hr/>	
Installation in switchboards	
Power supply and weights	B-3
Safety clearances and minimum distances	B-4
Installation example	B-5
<hr/>	
Control wiring	
Control wiring	B-6
<hr/>	
Temperature derating	
Compact NSX100 to 250 equipped with thermal-magnetic trip units	B-8
Compact NSX equipped with electronic trip units	B-9
<hr/>	
Power loss/ Resistance	
Compact NSX equipped with thermal-magnetic trip units	B-10
Compact NSX equipped with electronic trip units	B-11
<i>Dimensions and connection</i>	C-1
<i>Wiring diagrams</i>	D-1
<i>Additional characteristics</i>	E-1
<i>Catalogue numbers</i>	F-1
<i>Glossary</i>	G-1



Altitude derating

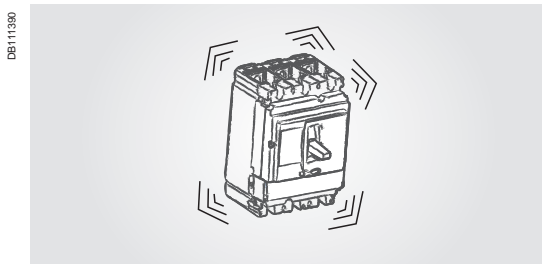
Altitude does not significantly affect the characteristics of Compact NSX circuit breakers up to 2000 m. Above this altitude, it is necessary to take into account the decrease in the dielectric strength and cooling capacity of air.

The following table gives the corrections to be applied for altitudes above 2000 metres.

The breaking capacities remain unchanged.

Compact NSX100 to 630

Altitude (m)	2000	3000	4000	5000	
Dielectric withstand voltage (V)	3000	2500	2100	1800	
Insulation voltage (V)	Ui	800	700	600	500
Maximum operational voltage (V)	Ue	690	590	520	460
Average thermal current (A) at 40 °C	In x	1	0.96	0.93	0.9



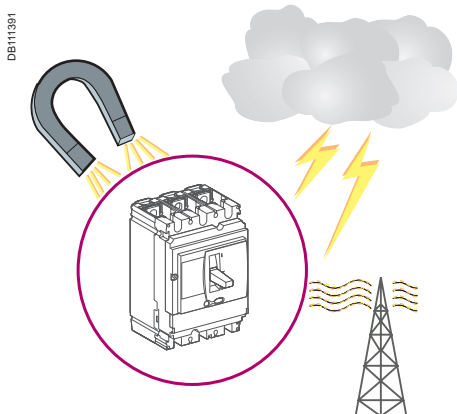
Vibrations

Compact NSX devices resist electromagnetic or mechanical vibrations.

Tests are carried out in compliance with standard IEC 60068-2-6 for the levels required by merchant-marine inspection organisations (Veritas, Lloyd's, etc.):

- 2 to 13.2 Hz: amplitude ± 1 mm
- 13.2 to 100 Hz: constant acceleration 0.7 g.

Excessive vibration may cause tripping, breaks in connections or damage to mechanical parts.



Degree of protection

Compact NSX circuit breakers have been tested for degree of protection (IP) mechanical impact protection (IK). [See page A-5.](#)

Electromagnetic disturbances

Compact NSX devices are protected against:

- overvoltages caused by circuit switching
- overvoltages caused by an atmospheric disturbances or by a distribution-system outage (e.g. failure of a lighting system)
- devices emitting radio waves (radios, walkie-talkies, radar, etc.)
- electrostatic discharges produced directly by users.

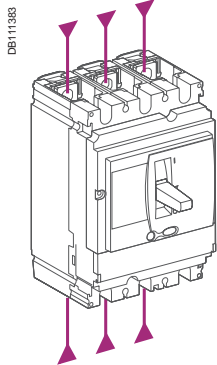
Compact NSX devices have successfully passed the electromagnetic-compatibility tests (EMC) defined by the following international standards. [See page A-5.](#)

These tests ensure that:

- no nuisance tripping occurs
- tripping times are respected.

Installation in switchboards

Power supply and weights



Power supply from the top or bottom

Compact NSX circuit breakers can be supplied from either the top or the bottom, even when equipped with a Vigi earth-leakage protection module, without any reduction in performance. This capability facilitates connection when installed in a switchboard.

All connection and insulation accessories can be used on circuit breakers supplied either from the top or bottom.

Weight

The table below presents the weights (in kg) of the circuit breakers and the main accessories, which must be summed to obtain the total weight of complete configurations. The values are valid for all performance categories.

Type of device		Circuit breakers	Base	Chassis	Vigi module	Visu module	Motor mech.
NSX100	3P/2D	1.79	0.8	2.2	0.87	2	1.2
	3P/3D	2.05	0.8	2.2	0.87	2	1.2
	4P/4D	2.4	1.05	2.2	1.13	2.2	1.2
NSX160	3P/2D	1.85	0.8	2.2	0.87	2	1.2
	3P/3D	2.2	0.8	2.2	0.87	2	1.2
	4P/4D	2.58	1.05	2.2	1.13	2.2	1.2
NSX250	3P/2D	1.94	0.8	2.2	0.87	2	1.2
	3P/3D	2.4	0.8	2.2	0.87	2	1.2
	4P/4D	2.78	1.05	2.2	1.13	2.2	1.2
NSX400/630	3P/3D	6.19	2.4	2.2	2.8	4.6	2.8
	4P/4D	8.13	2.8	2.2	3	4.9	2.8

Installation in switchboards

Safety clearances and minimum distances

General rules

When installing a circuit breaker, minimum distances (safety clearances) must be maintained between the device and panels, bars and other protection devices installed nearby. These distances, which depend on the ultimate breaking capacity, are defined by tests carried out in accordance with standard IEC 60947-2.

If installation conformity is not checked by type tests, it is also necessary to:

- use insulated bars for circuit-breaker connections
- segregate the busbars using insulating screens.

For Compact NSX100 to 630 devices, terminal shields and interphase barriers are recommended and may be mandatory depending on the operating voltage of the device and type of installation (fixed, withdrawable, etc.).

Power connections

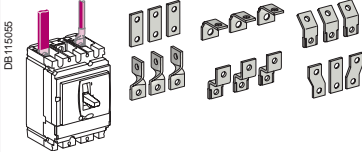
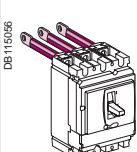
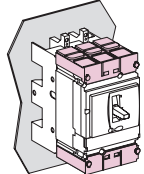
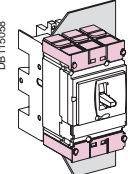
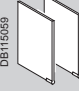
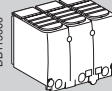

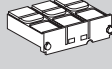



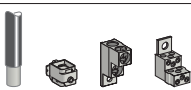


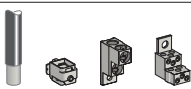
The table below indicates the rules to be respected for Compact NSX100 to 630 devices to ensure insulation of live parts for the various types of connection.

- fixed devices with front connection (FC) or rear connection (RC)
- plug-in or withdrawable devices.

Connection accessories such as crimp lugs, bare-cable connectors, terminal extensions (straight, right-angle, double-L and 45°) and spreaders are supplied with interphase barriers.

Long terminal shields provide a degree of protection of IP40 (ingress) and IK07 (mechanical impact).

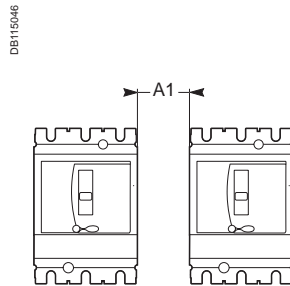
Compact NSX100 to 630: rules to be respected to ensure insulation of live parts

Type of connection		Fixed, front connection			Fixed, rear connection	Plug-in or withdrawable	
						On backplate 	Through panel 
Possible, recommended or mandatory accessories:		No insulating accessory	Interphase barriers 	Long terminal shields 	Short terminal shields 	Short terminal shields 	Short terminal shields 
With:							
operating voltage	type of conductor						
≤ 500 V	Insulated bars 	Possible	Possible	Possible	Recommended	Recommended	Mandatory
	Extension terminals Cables + crimp lugs 	No	Mandatory (supplied)	Possible (instead of ph. barriers)	Recommended	Recommended	Mandatory
	Bare cables + connectors 	Possible for NSX100 to 250	Possible for NSX100 to 250	Possible for NSX100 to 250	Recommended	Recommended	Mandatory
> 500 V	Insulated bars 	No	No	Mandatory	Mandatory	Mandatory	Mandatory
	Extension terminals Cables + crimp lugs 	No	No	Mandatory	Mandatory	Mandatory	Mandatory
	Bare cables + connectors 	No	No	Mandatory	Mandatory	Mandatory	Mandatory

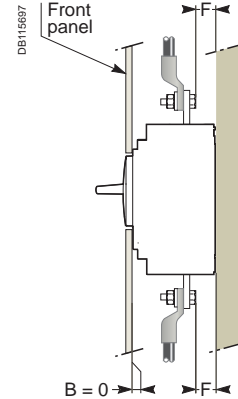
Installation example

Safety clearance

Minimum distance between two adjacent circuit breakers

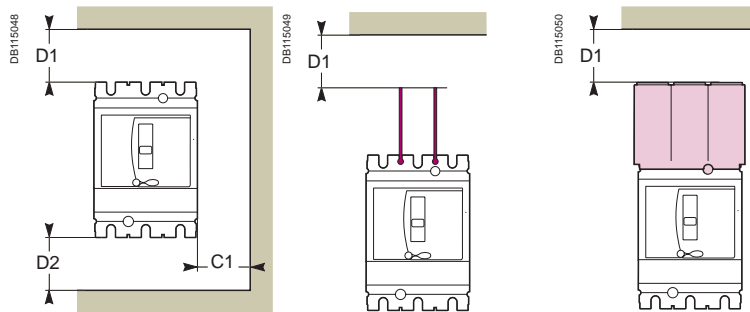


Minimum distance between circuit breaker and front or rear panels



Bare or painted sheetmetal **Note:** if $F < 8$ mm: an insulating screen or long terminal shield is mandatory (see page A-73).

Minimum distance between circuit breaker and top, bottom or side panels



Devices without accessories. Devices with interphase barriers or long terminal shields.

Minimum safety clearances for Compact NSX100 to 630

Operating voltage	Clearance (mm)							
	Between devices	Between device and sheetmetal						
		Painted sheet metal		Bare sheet metal				
	A1	C1	D1	D2	C1	D1	D2	
U ≤ 440 V								
for devices equipped with:								
■ no accessories	0	0	30	30	5	40	40	
■ interphase barriers	0	0	0	0	5	0	0	
■ long terminal shields	0	0	0	0	0	0	0	
440 V < U ≤ 600 V								
for devices equipped with:								
■ interphase barriers ⁽¹⁾	0	0	0	0	20	10	10	
■ long terminal shields ⁽²⁾	0	0	0	0	10	10	10	
U > 600 V								
for devices equipped with:								
■ long terminal shields	0	10	50	50	20	100	100	

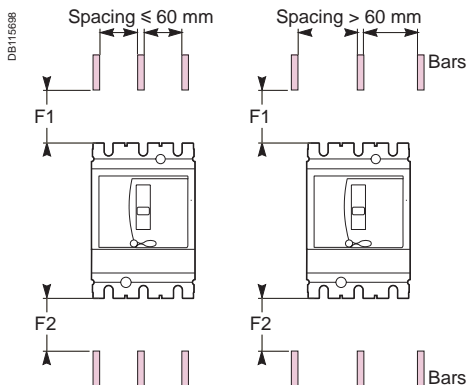
⁽¹⁾ Only for NSX100 to 250.
⁽²⁾ For all cases.

Clearances with respect to live bare busbars

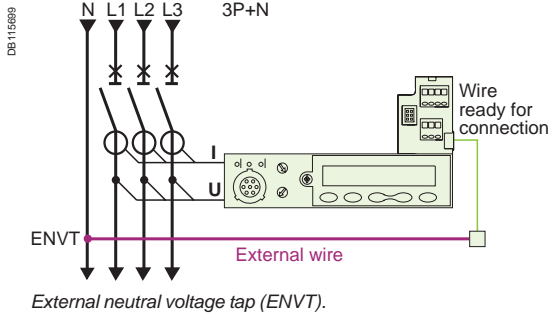
Minimum clearances for Compact NSX100 to 630

Operating voltage	Clearances with respect to live bare busbars			
	spacing ≤ 60 mm		spacing > 60 mm	
	F1	F2	F1	F2
U < 440 V	350	350	80	80
440 V ≤ U ≤ 600 V	350	350	120	120
U > 600 V	prohibited: insulating screen required between device and busbars			

These clearances can be reduced for special installations as long as the configuration is checked by tests.



Live busbars.



Remote tripping by MN or MX release

Power consumption is approximately:

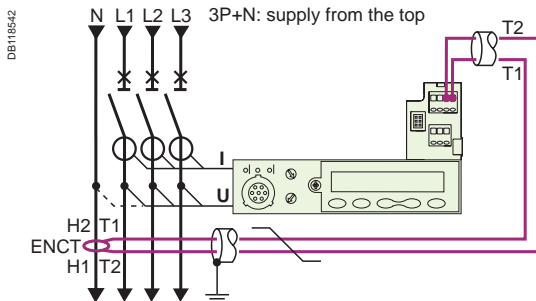
- 30 VA for pick-up of the MN and MX releases
- 300 VA to 500 VA for the motor mechanism.

The table below indicates the maximum permissible cable length for different supply voltages and cable cross-sectional areas.

Recommended maximum cable lengths (in metres)

Power supply voltage (V DC)	12 V		24 V		48 V		
	Cable cross-section (mm ²)		1.5	2.5	1.5	2.5	1.5
MN	U source 100 %	15	–	160	–	640	–
	U source 85 %	7	–	40	–	160	–
MX	U source 100 %	60	–	240	–	960	–
	U source 85 %	30	–	120	–	480	–
Motor mechanism	U source 100 %	–	–	10	16	65	110
	U source 85 %	–	–	2	4	17	28

Note: the indicated length is that of each of the two wires.



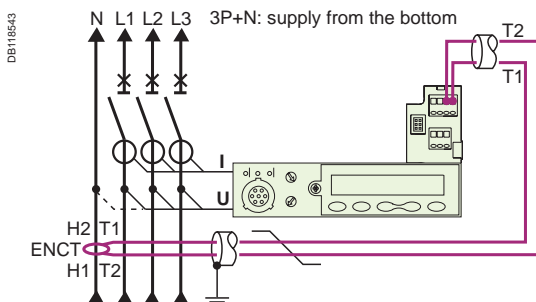
External neutral voltage tap (ENVT)

This connection is required for accurate power measurements on 3-pole circuit breakers equipped with Micrologic 5 / 6 E trip units in installations with a distributed neutral. It can be used to measure phase-neutral voltages and calculate power using the 3 wattmeter method.

Compact NSX 3-pole circuit breakers come with a wire installed on the device for the connection to the ENVT.

This wire is equipped with a connector for connection to an external wire with the following characteristics:

- cross-sectional area of 1 mm² to 2.5 mm²
- maximum length of 10 metres.



External neutral current transformer (ENCT)

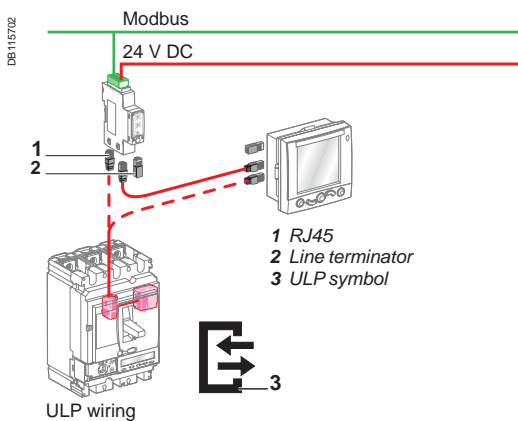
This connection is required to protect the neutral on 3-pole circuit breakers equipped with Micrologic 5 / 6 A or E trip units in installations with a distributed neutral. For Micrologic 6 A or E, it is required for type G ground-fault protection.

The ENCT is connected in the same way for fixed, plug-in or withdrawable devices:

- fixed devices are connected via terminals T1 and T2 of the internal terminal block.
 - plug-in and withdrawable devices are not connected via the auxiliary terminals.
- The wires must be connected/disconnected inside the device via terminals T1 and T2.

The ENCT must be connected to the Micrologic trip unit by a shielded twisted pair. The shielding should be connected to the switchboard earth only at the CT end, no more than 30 cm from the CT.

- the power connections of the CT to the neutral (H2 and H1) must be made in the same way for power supply from the top or the bottom (see figure). Make sure they are not reversed for devices with power supply from the bottom.
- cross-sectional area of 0.4 mm² to 1.5 mm²
- maximum length of 10 metres.



ULP connection system.

ULP connection system between Micrologic, FDM 121 switchboard display and Modbus interface

The ULP (Universal Logic Plug) wiring system used by Compact NSX for connections through to the Modbus network requires neither tools nor settings.

The prefabricated cords are used for both data transfer and distribution of 24 V DC power. Connectors on each component are identified by ULP (Universal Logic Plug) symbols, ensuring total compatibility between each component.

Available cords

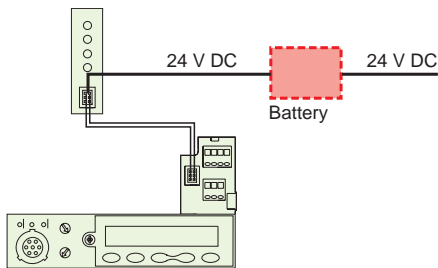
All connections are made with prefabricated cords:

- NSX cord for connection of the internal terminal block to the Modbus interface or the FDM 121 display via an RJ45 connector. The cord is available in three lengths, 0.35 m, 1.3 m and 3 m
- ULP cords with RJ45 connectors at each end for the other connections between components. The cord is available in six lengths, 0.3 m, 0.6 m, 1 m, 2 m, 3 m and 5 m. For greater distances, two cords can be interconnected using the RJ45 female/female accessory.

Maximum length of 10 m between 2 modules and 30 m in all.

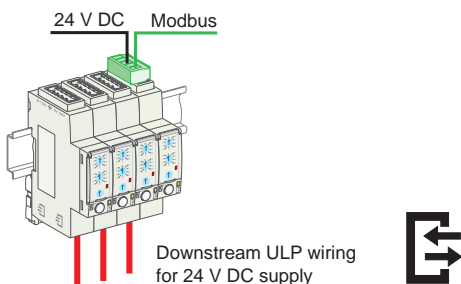
A line terminator must be fitted to all components with an unused RJ45 connector.

DB115703



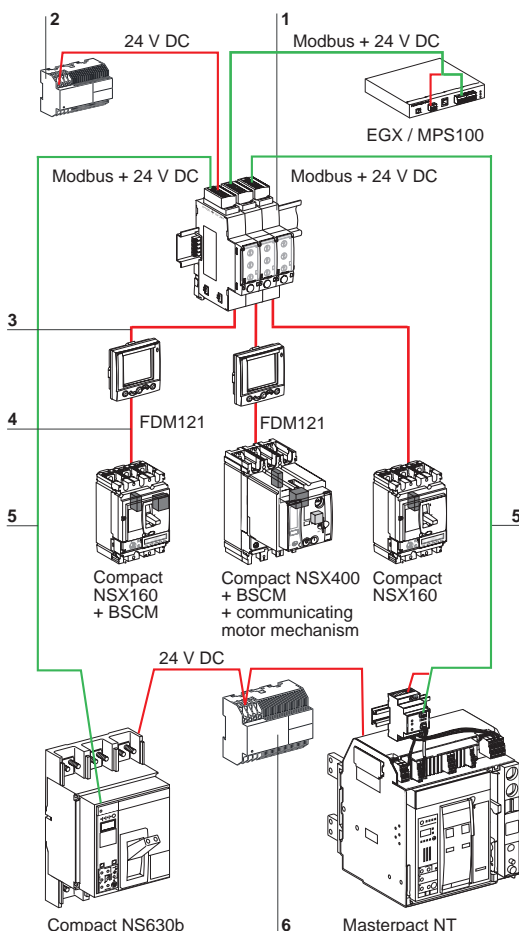
Power supply, without the Communication function, via the terminal block with a backup battery.

DB115704



Supply, with the Communication function, via the Modbus interface.

DB124600



- 1 Modbus interface module with connection accessory.
- 2 24 V DC power supply of Micrologic for Compact NSX and communication modules
- 3 ULP cord.
- 4 NSX cord.
- 5 Modbus cable + 24 V DC: ref. 50965 (Schneider Electric) recommended or ref. 7895A (Belden).
- 6 24 V DC power supply of Micrologic for Compact NS/ Masterpact.

24 V DC power-supply module

Use

An external 24 V DC power supply is required for installations with communication, whatever the type of trip unit. On installations without communication, it is available as an option for Micrologic 5/6 to:

- modify settings when the circuit breaker is open (OFF position)
- display measurements when the current flowing through the circuit breaker is low
- maintain the display of the cause of tripping.

Characteristics

The external 24 V DC supply may be used for the entire switchboard. The required characteristics are indicated in the table below.

Characteristics	
Output voltage	24 V DC -20 % to +10 %
Ripple	±1 %
Overvoltage category (OVC)	OVC IV - as per IEC 60947-1

Sizing

Sizing must take into account all supplied modules.

Module	Consumption (mA)
Micrologic 5 / 6	40
BSCM module	10
FDM 121	40
Modbus communication interface	60
NSX cord U > 480 V AC	30
SDx / SDTAM module	20

Wiring

Micrologic 5 or 6 not using the Communication function

The external 24 V DC supply is connected via the circuit breaker terminal block. Use of a 24 V DC battery provides backup power for approximate 3 hours (100 mA) in the event of an interruption in the external supply.

Micrologic 5 or 6 using the Communication function

The external 24 V DC supply is connected via the Modbus interface using a five-pin connector, including two for the power supply. Stacking accessories (see page A-27) can be used to supply a number of interfaces by fast clip-on connection. The 24 V DC power is distributed downstream by the ULP (Universal Logic Plug) communication cords with RJ45 connectors. This system ensures both data transfer and power distribution to the connected modules.

Recommendations for 24 V DC wiring

- Do not connect the positive terminal to earth.
- Do not connect the negative terminal to earth.
- The maximum length for each conductor (+/-) is ten metres.
- For connection distances greater than ten metres, the plus and minus conductors of the 24 V DC supply must be twisted to improve EMC.
- The 24 V DC conductors must cross the power cables perpendicularly. If this is difficult or impossible, the plus and minus conductors must be twisted.

Modbus

Each Compact NSX circuit breaker equipped with Micrologic 5/6 and an FDM 121 display is connected to the Modbus network via the Modbus interface module. Connection of all the circuit breakers and other Modbus devices in the switchboard to a Modbus bus is made much easier by using a Modbus RJ45 junction block installed in the switchboard.

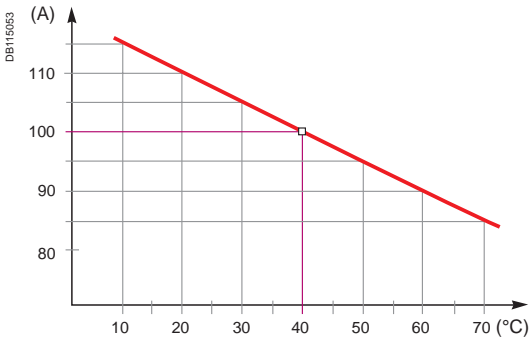
Recommendations for Modbus wiring

- The shielding may be earthed.
- The conductors must be twisted to improve immunity (EMC).
- The Modbus conductors must cross the power cables perpendicularly.

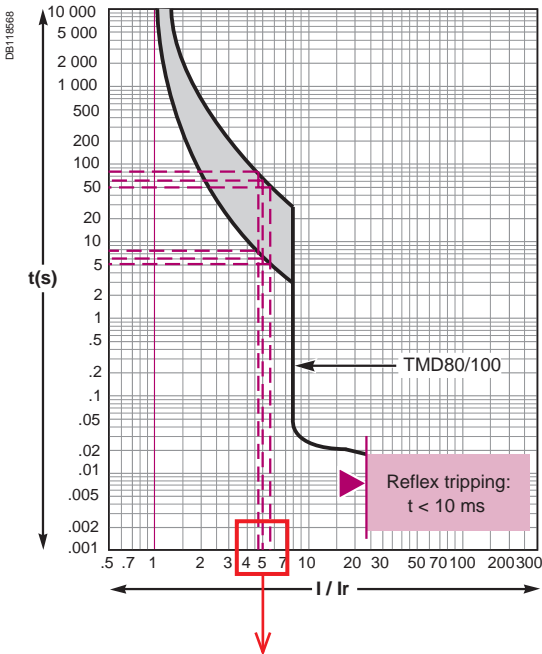
Temperature derating

Compact NSX100 to 250 equipped with thermal-magnetic trip units

When thermal-magnetic trip units are used at ambient temperatures other than 40 °C, the I_r pick-up is modified.



Temperature derating curve for Compact NSX100.



Example 1. Fault I = 500 A

I/I _r	4.5	5	5.5
T °C	20 °C	40 °C	60 °C
t min.	8 s	6 s	5 s
t max.	80 s	60 s	50 s

Thermal-protection curve with minimum and maximum values.

The overload protection is calibrated at 40 °C in the lab. This means that when the ambient temperature is less or greater than 40 °C, the I_r protection pick-up is slightly modified.

To obtain the tripping time for a given temperature:

- see the tripping curves for 40 °C (see pages E-2 and E-3)
- determine tripping times corresponding to the I_r value (thermal setting on the device), corrected for the ambient temperature as indicated in the tables below.

Settings of Compact NSX100 to 250 equipped with TM-D and TM-G trip units, as a function of the temperature

The table indicates the real I_r (A) value for a given rating and temperature.

Rat. Temperature (°C)	10	15	20	25	30	35	40	45	50	55	60	65	70
16	18.4	18.7	18	18	17	16.6	16	15.6	15.2	14.8	14.5	14	13.8
25	28.8	28	27.5	27	26.3	25.6	25	24.5	24	23.5	23	22	21
32	36.8	36	35.2	34.4	33.6	32.8	32	31.3	30.5	30	29.5	29	28.5
40	46	45	44	43	42	41	40	39	38	37	36	35	34
50	57.5	56	55	54	52.5	51	50	49	48	47	46	45	44
63	72	71	69	68	66	65	63	61.5	60	58	57	55	54
80	92	90	88	86	84	82	80	78	76	74	72	70	68
100	115	113	110	108	105	103	100	97.5	95	92.5	90	87.5	85
125	144	141	138	134	131	128	125	122	119	116	113	109	106
160	184	180	176	172	168	164	160	156	152	148	144	140	136
200	230	225	220	215	210	205	200	195	190	185	180	175	170
250	288	281	277	269	263	256	250	244	238	231	225	219	213

Example 1. What is the tripping time of a Compact NSX100 equipped with a TM100D trip unit set to 100 A, for an overload I = 500 A?

The overload I/I_r is calculated as a function of the temperature. Use the above values and the curve on page E-3 (shown on the left) to determine the corresponding time.

- At 40 °C, I_r = 100 A, I/I_r = 5 and the tripping time is between 6 and 60 seconds.
- At 20 °C, I_r = 110 A, I/I_r = 4.54 and the tripping time is between 8 and 80 seconds.
- At 60 °C, I_r = 90 A, I/I_r = 5.55 and the tripping time is between 5 and 50 seconds.

Example 2. What is the setting to obtain a real I_r of 210 A, taking into account the temperature, for a Compact NSX250 equipped with a TM250D trip unit?

The necessary dial setting, in amperes, is shown below.

- At 40 °C, I_r = (210/250) x 250 A = 210 A
- At 20 °C, I_r = (210/277) x 250 A = 189.5 A
- At 60 °C, I_r = (210/225) x 250 A = 233 A

Additional derating coefficient for an add-on module

The values indicated in the previous tables are valid for fixed circuit breakers equipped with one of the following modules:

- Vigi module
- insulation monitoring module
- ammeter module
- current-transformer module.

They also apply for plug-in or withdrawable circuit breakers equipped with:

- ammeter module
- current-transformer module.

However, for plug-in or withdrawable circuit breakers equipped with a Vigi module or an insulation monitoring module, the coefficient 0.84 must be applied.

The table below sums up the situation for add-on modules.

Type of device	Circuit breaker	TM-D trip-unit rating	Vigi or insulation monitoring module	Ammeter or current transformer module
Fixed	NSX100 to 250	16 to 100	1	1
	NSX160 to 250	125		
	NSX160 to 250	160		
	NSX250	200 to 250		
Plug-in or withdrawable	NSX100 to 250	16 to 100	0.84	
	NSX160 to 250	125		
	NSX160 to 250	160		
	NSX250	250		

Compact NSX equipped with electronic trip units

Electronic trip units are not affected by variations in temperature. If the trip units are used in high-temperature environments, the Micrologic setting must nevertheless take into account the temperature limits of the circuit breaker.

Changes in temperature do not affect measurements by electronic trip units.

- The built-in CT sensors with Rogowski toroids measure the current.
- The control electronics compare the value of the current to the settings defined for 40 °C.

Because temperature has no effect on the toroid measurements, the tripping thresholds do not need to be modified.

However, the temperature rise caused by the flow of current and the ambient temperature increase the temperature of the device. To avoid reaching the thermal withstand level of the equipment, it is necessary to limit the current flowing through the device, i.e. the maximum Ir setting as a function of the temperature.

Compact NSX100/160/250

The table below indicates the maximum long-time (LT) protection setting Ir (A) depending on the ambient temperature.

Type of device	Rating (A)	Temperature (°C)						
		40	45	50	55	60	65	70
NSX100/160								
Fixed, plug-in or withdr.	40	no derating						
	100	no derating						
NSX250								
Fixed, plug-in or withdrawable	100	no derating						
	160	no derating						
Fixed	250	250	250	250	245	237	230	225
Plug-in or withdr.	250	250	245	237	230	225	220	215

Compact NSX400 and 630

The table below indicates the maximum long-time (LT) protection setting Ir (A) depending on the ambient temperature.

Type of device	Rating (A)	Temperature (°C)						
		40	45	50	55	60	65	70
NSX400								
Fixed	400	400	400	400	390	380	370	360
Plug-in/withdr.	400	400	390	380	370	360	350	340
NSX630								
Fixed	630	630	615	600	585	570	550	535
Plug-in/withdr.	630	570	550	535	520	505	490	475

Example. A fixed Compact NSX400 equipped with a Micrologic can have a maximum Ir setting of:

- 400 A up to 50 °C
- 380 A up to 60 °C.

Additional derating coefficient for an add-on module

For fixed or plug-in / withdrawable circuit breakers, the addition of a:

- Vigi module
- insulation-monitoring module
- ammeter module
- current-transformer module

can modify the derating values. Apply the coefficients shown below.

Derating of a Compact NSX equipped with a Micrologic trip unit

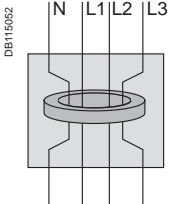
Type of device	Circuit breaker	TM-D trip-unit rating	Vigi / Insulation monitoring module	Ammeter module / External sensor (CT)
Fixed	NSX100 to 250	40 to 100	1	1
	NSX160 to 250	125		
	NSX250	250		
Plug-in or withdrawable	NSX100 to 250	40 to 100	0.86	
	NSX160 to 250	160		
	NSX250	250		
Fixed	NSX400	250 to 400	0.97	
	NSX630	250 to 630	0.90	
Plug-in or withdrawable	NSX400	250 to 400	0.97	
	NSX630	250 to 630	0.90	

Note: to provide the Visu function, Compact NSX circuit breakers, with or without a Vigi module, are combined with INV switch-disconnectors. Tripping values for the selected combination are indicated in the Interpact catalogue.

Power loss/ Resistance

Compact NSX equipped with thermal-magnetic trip units

Compact NSX thermal power loss values are used to calculate total temperature rise in the switchboard in which the circuit breakers are installed.



With a Vigi module, the deviation of the N and L3 bars required to pass through the toroid results in higher power losses compared to those of the L1 and L2 bars.

The values indicated in the tables below are typical values for a device at full rated load and 50/60 Hz.

Power loss per pole (P/pole) in Watts (W)

The value indicated is the power loss at I_N , 50/60 Hz, for a three-pole or four-pole circuit breaker. Measurement and calculation of power loss are carried out in compliance with the recommendations of Annex G of standard IEC 60947-2.

Resistance per pole (R/pole) in milliohms (mΩ)

The value of the resistance per pole is provided as a general indication for a new device.

The value of the contact resistance must be determined on the basis of the measured voltage drop, in accordance with the manufacturer's test procedure (ABT instruction document no. 1 - BEE - 02.2 -A).

Note: this measurement is not sufficient to determine the quality of the contacts, i.e. the capacity of the circuit breaker to carry its rated current.

Additional power loss

Additional power loss is equal to the sum of the power dissipated by the following:

- Vigi module: note that the deviation of the N and L3 bars required to pass through the toroid results in higher power losses compared to those of the L1 and L2 bars (diagram opposite). When calculating total power loss, use L1, L2, L3 for a 3P device and N, L1, L2, L3 for a 4P device
- disconnecting contacts (plug-in and withdrawable devices)
- ammeter module
- transformer module.

Calculation of total power loss

Total power loss at full rated load and 50/60 Hz is equal to the sum of the device and additional power losses per pole multiplied by the number of poles (2, 3 or 4).

If a Vigi module is installed, it is necessary to differentiate between N and L3 on one hand and L1 and L2 on the other.

Compact NSX100 to 250 equipped with TM-D and TM-G trip units

Type of device	Fixed device			Additional power / pole					
	3/4 poles	Rat. (A)	R/pole	P/pole	Vigi (N, L3)	Vigi (L1, L2)	Plug-in / withdr.	Ammeter module	Transfo. module
NSX100	16	11.42	2.92	0	0	0	0	0	0
	25	6.42	4.01	0	0	0.1	0	0	0
	32	3.94	4.03	0.06	0.03	0.15	0.1	0.1	0.1
	40	3.42	5.47	0.10	0.05	0.2	0.1	0.1	0.1
	50	1.64	4.11	0.15	0.08	0.3	0.1	0.1	0.1
	63	2.17	8.61	0.3	0.15	0.4	0.1	0.1	0.1
	80	1.37	8.77	0.4	0.2	0.6	0.1	0.1	0.1
	100	0.88	8.8	0.7	0.35	1	0.2	0.2	0.2
NSX160	80	1.26	8.06	0.4	0.2	0.6	0.1	0.1	0.1
	100	0.77	7.7	0.7	0.35	1	0.2	0.2	0.2
	125	0.69	10.78	1.1	0.55	1.6	0.3	0.3	0.3
NSX250	160	0.55	13.95	1.8	0.9	2.6	0.5	0.5	0.5
	125	0.61	9.45	1.1	0.55	1.6	0.3	0.3	0.3
	160	0.46	11.78	1.8	0.9	2.6	0.5	0.5	0.5
NSX250	200	0.39	15.4	2.8	1.4	4	0.8	0.8	0.8
	250	0.3	18.75	4.4	2.2	6.3	1.3	1.3	1.3

Compact NSX100 to 630 equipped with MA/1.3-M trip units

Type of device	Fixed device			Additional power / pole					
	3 poles	Rat. (A)	R/pole	P/pole	Vigi (N, L3)	Vigi (L1, L2)	Plug-in / withdr.	Ammeter module	Transfo. module
NSX100	2.5	148.42	0.93	0	0	0	0	0	0
	6.3	99.02	3.93	0	0	0	0	0	0
	12.5	4.05	0.63	0	0	0	0	0	0
	25	1.66	1.04	0	0	0.1	0	0	0
	50	0.67	1.66	0.2	0.1	0.3	0.1	0.1	0.1
	100	0.52	5.2	0.7	0.35	1	0.2	0.2	0.2
NSX160	150	0.38	8.55	1.35	0.68	2.6	0.45	0.45	0.45
NSX250	220	0.3	14.52	2.9	1.45	4.89	0.97	0.97	0.97
NSX400	320	0.12	12.29	3.2	1.6	6.14	1.54	1.54	1.54
NSX630	500	0.1	25	13.99	7	15	3.75	3.75	3.75

Compact NSX equipped with electronic trip units

The values indicated in the table below are typical values for a device at full rated load and 50/60 Hz. The definitions and information are the same as that for circuit breakers equipped with thermal-magnetic trip units.

Compact NSX100 to 630 equipped with Micrologic trip units

Type of device 3/4 poles	Rat. (A)	Fixed device		Additional power / pole				
		R/pole	P/pole	Vigi (N, L3)	Vigi (L1, L2)	Plug-in / withdr.	Ammeter module	Transfo. module
NSX100	40	0.84	1.34	0.1	0.05	0.2	0.1	0.1
	100	0.468	4.68	0.7	0.35	1	0.2	0.2
NSX160	40	0.73	1.17	0.4	0.2	0.6	0.1	0.1
	100	0.36	3.58	0.7	0.35	1	0.2	0.2
	160	0.36	9.16	1.8	0.9	2.6	0.5	0.5
NSX250	100	0.27	2.73	1.1	0.55	1.6	0.2	0.2
	250	0.28	17.56	4.4	2.2	6.3	1.3	1.3
NSX400	400	0.12	19.2	3.2	1.6	9.6	2.4	2.4
NSX630	630 ⁽¹⁾	0.1	39.69	6.5	3.25	19.49	5.95	5.95

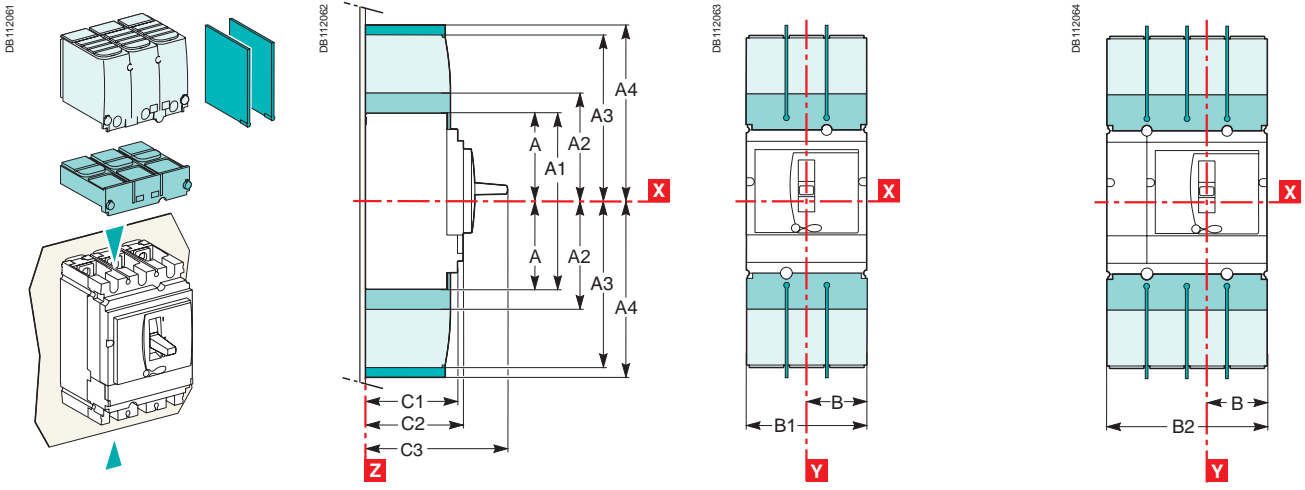
⁽¹⁾ The power loss values for the Vigi modules and withdrawable circuit breakers are given for 570 A.

Easy installation



<i>Functions and characteristics</i>	A-1
<i>Installation recommendations</i>	B-1
Dimensions and mounting	
Compact NSX100 to 630 fixed version	C-2
Vigicompact NSX100 to 630 fixed version	C-3
Compact NSX100 to 630 plug-in version	C-4
Compact NSX100 to 630 withdrawable version	C-6
Vigicompact NSX100 to 630 plug-in and withdrawable versions	C-8
Visu function for Compact NSX100 to 250 fixed version	C-9
Visu function for Compact NSX400/630 fixed version	C-10
Motor mechanism module for Compact NSX100 to 630	C-11
Direct rotary handle for Compact and Vigicompact NSX100 to 630	C-12
MCC and CNOMO type direct rotary handles for Compact NSX100 to 630 fixed version	C-13
Extended rotary handle for Compact NSX100 to 630	C-14
Indication and measurement modules for Compact NSX100 to 630 fixed version	C-15
One-piece spreader for Compact NSX100 to 250 fixed version	C-16
FDM121 switchboard display	C-17
Front-panel accessories	
Compact NSX100 to 630	C-18
Front-panel cutouts	
Compact NSX100 to 630 fixed version	C-20
Vigicompact NSX100 to 630 fixed version	C-22
Compact NSX100 to 630 plug-in and withdrawable versions	C-24
Vigicompact NSX100 to 630 plug-in and withdrawable versions	C-25
Visu function for Compact NSX100 to 630 fixed version	C-26
Motor mechanism module for Compact and Vigicompact NSX100 to 630	C-27
Direct rotary handle for Compact and Vigicompact NSX100 to 630	C-28
MCC and CNOMO type direct rotary handles for Compact NSX100 to 630 fixed version	C-13
Extended rotary handle for Compact NSX100 to 630	C-14
Indication and measurement modules for Compact NSX100 to 630	C-30
FDM121 switchboard display	C-17
Power connections	
Compact and Vigicompact NSX100 to 630 fixed version	C-32
Compact and Vigicompact NSX100 to 630 plug-in and withdrawable versions	C-36
Connection of insulated bars or cables with lugs to Compact and Vigicompact NSX100 to 630	C-40
Connection of bare cables to Compact and Vigicompact NSX100 to 630	C-41
<i>Wiring diagrams</i>	D-1
<i>Additional characteristics</i>	E-1
<i>Catalogue numbers</i>	F-1
<i>Glossary</i>	G-1

Dimensions



Interphase barriers.
 Short terminal shields.

Long terminal shields (also available for NSX400/630 spreaders with 52.5 mm pitch: B1 = 157.5 mm, B2 = 210 mm).

Mounting

On backplate

NSX100 to 250

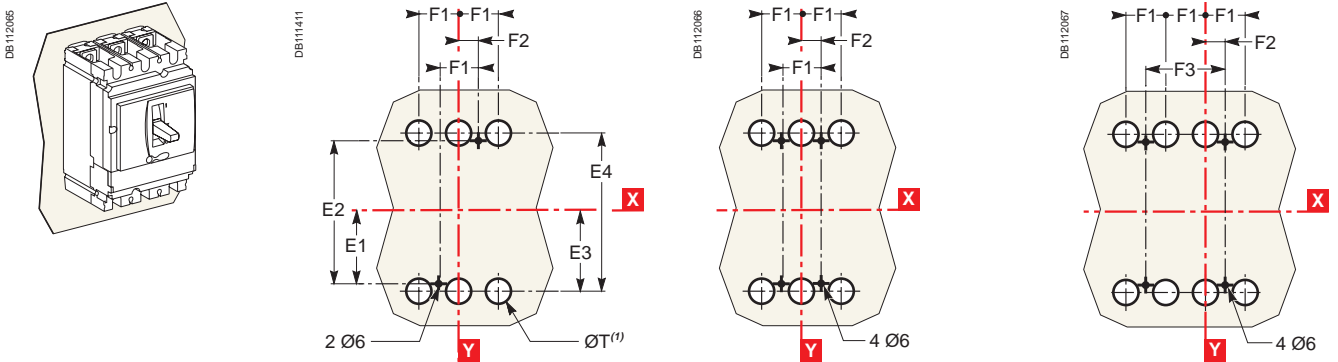
2/3P

NSX400/630

3P

NSX100 to 630

4P



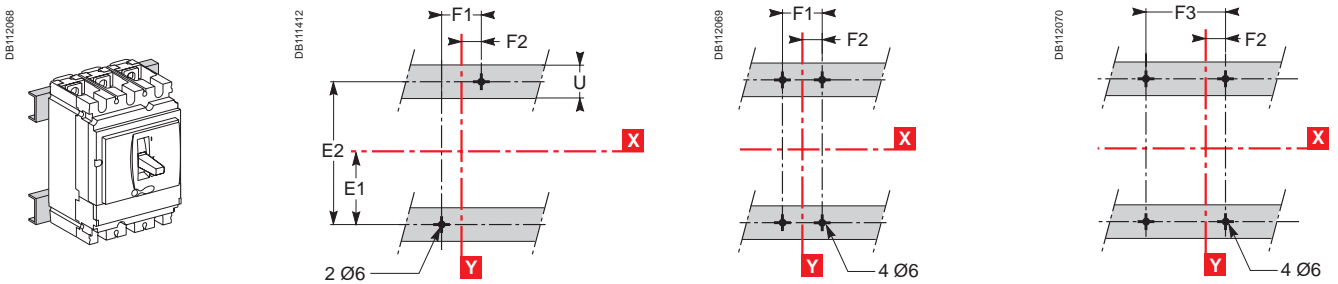
(1) The ØT holes are required for rear connection only.
 For two-pole circuit breakers, the middle holes are not required.

On rails

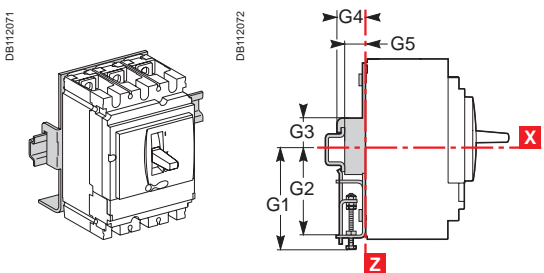
2/3P

3P

4P

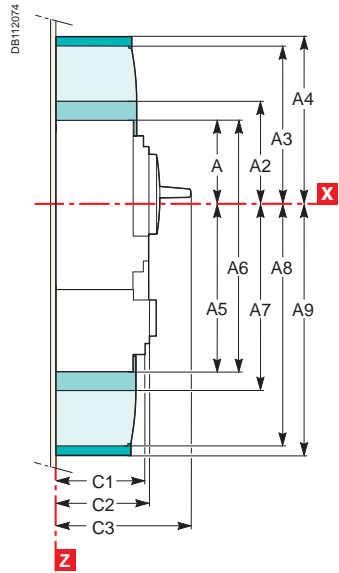
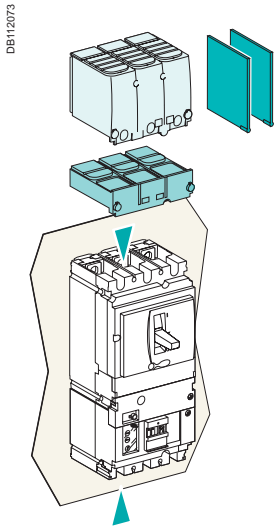


On DIN rail with adapter plate (NSX100 to 250)



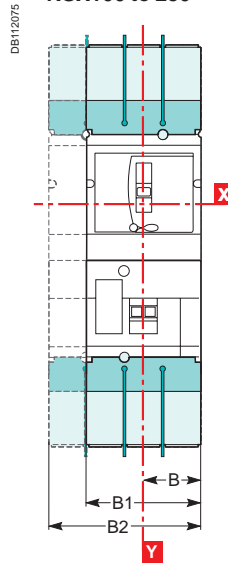
Vigicompact NSX100 to 630 fixed version

Dimensions



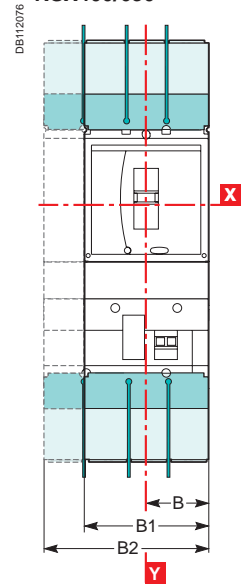
3/4P

NSX100 to 250



3/4P

NSX400/630



Mounting

NSX100 to 250

NSX400/630

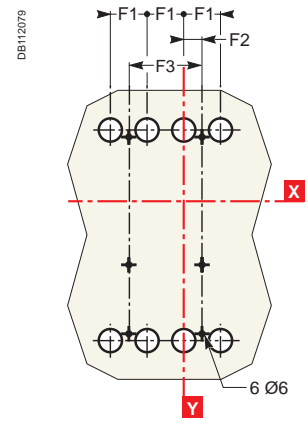
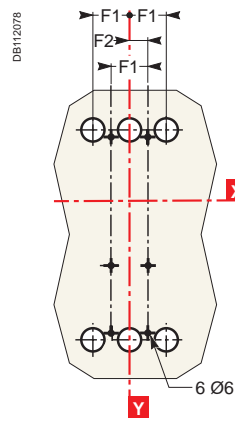
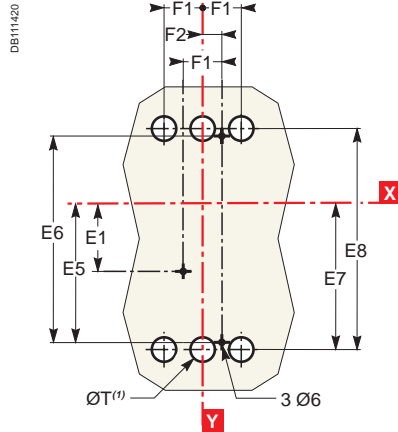
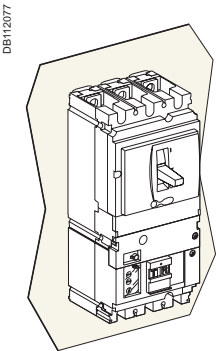
NSX100 to 630

On backplate

3P

3P

4P



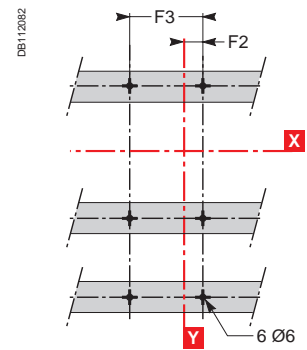
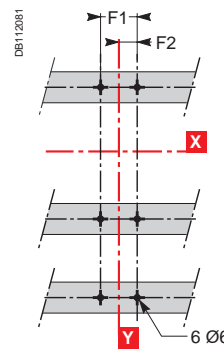
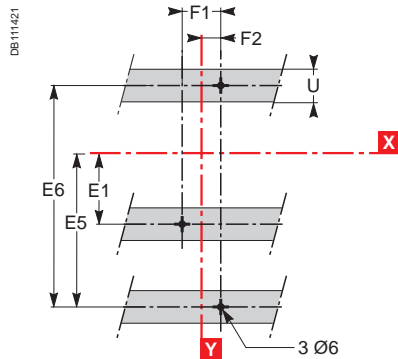
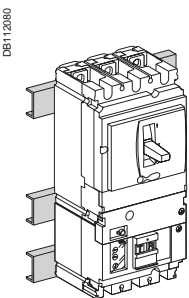
(1) The ØT holes are required for rear connection only.
For two-pole circuit breakers, the middle holes are not required.

On rails

3P

3P

4P

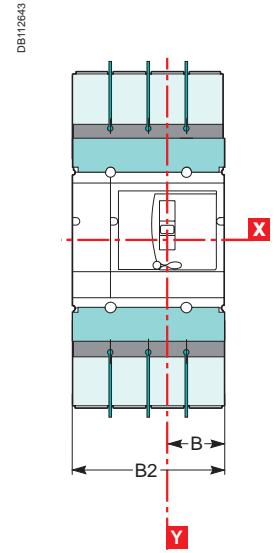
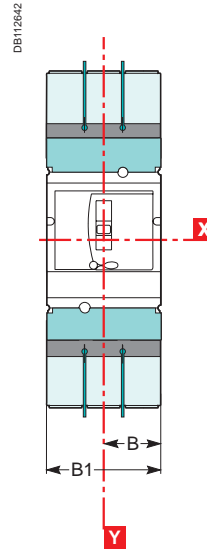
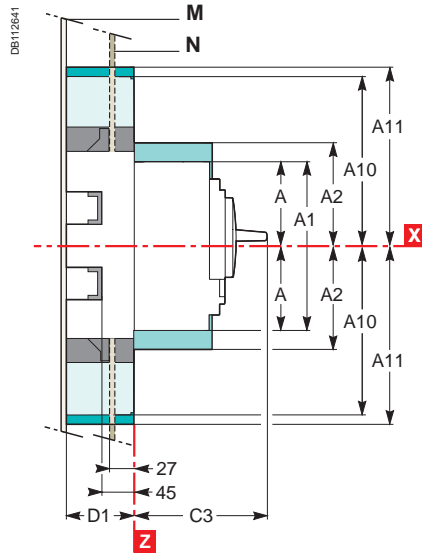
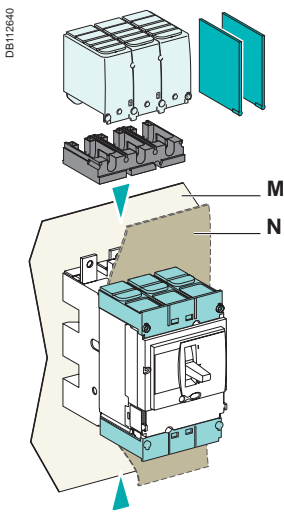


Type	A	A1	A2	A3	A4	A5	A6	A7	A8	A9	B	B1	B2	C1	C2	C3	E1
NSX100/160/250	80.5	161	94	145	178.5	155.5	236	169	220	253.5	52.5	105	140	81	86	126	62.5
NSX400/630	127.5	255	142.5	200	237	227.5	355	242.5	300	337	70	140	185	95.5	110	168	100
Type	E2	E3	E4	E5	E6	E7	E8	F1	F2	F3	G1	G2	G3	G4	G5	ØT	U
NSX100/160/250	125	70	140	137.5	200	145	215	35	17.5	70	95	75	13.5	23	17.5	24	≤ 32
NSX400/630	200	113.5	227	200	300	213.5	327	45	22.5	90	-	-	-	-	-	32	≤ 35

Dimensions

2/3P

4P



Interphase barriers for base.
 Short terminal shields on circuit breaker.

Long terminal shields (also available for NSX400/630 spreaders with 52.5 mm pitch: B1 = 157.5 mm, B2 = 210 mm).
 Adapter for base, required to mount long terminal shields or interphase barriers.

Mounting

Through front panel (N)

2/3P

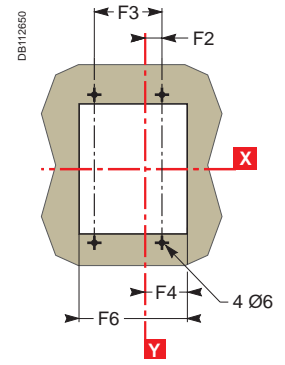
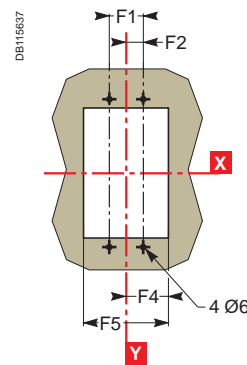
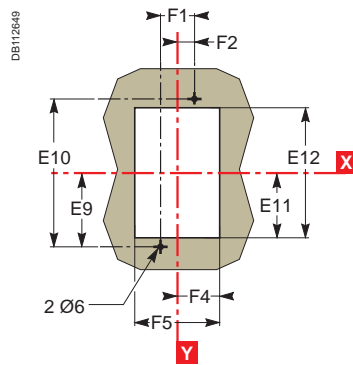
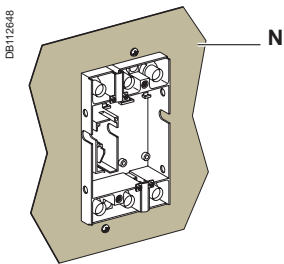
3P

4P

NSX100 to 250

NSX400/630

NSX100 to 630

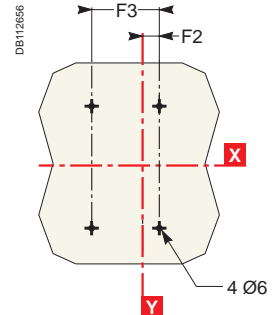
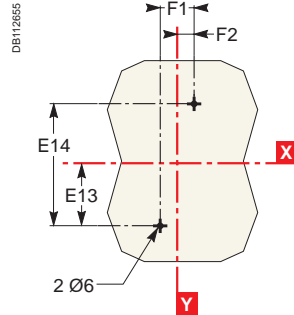
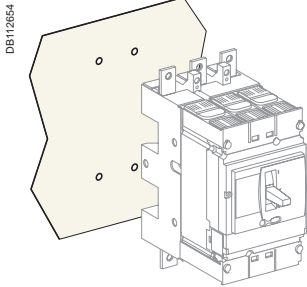


On backplate (M)

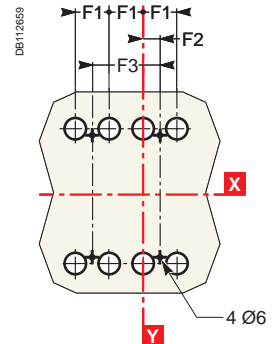
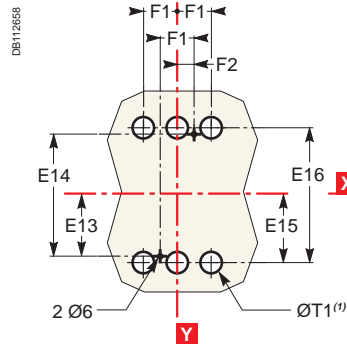
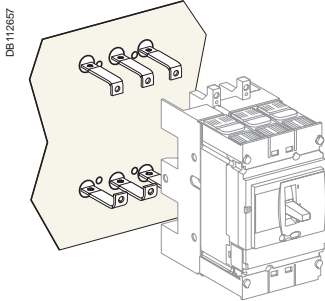
2/3P

4P

Front connection (an insulating screen is supplied with the base and must be fitted between the base and the backplate)

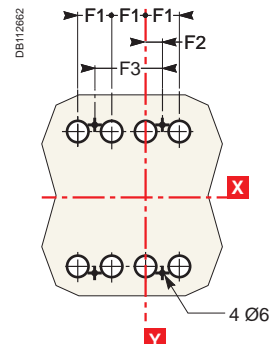
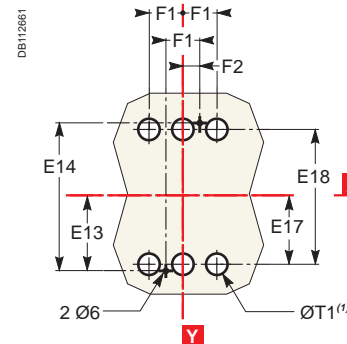
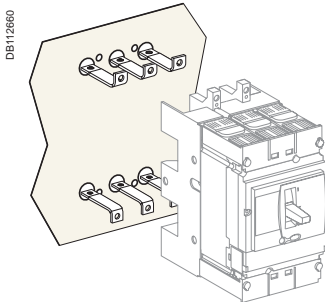


Connection by exterior-mounted rear connectors



(1) The ØT1 holes are required for rear connection only (for two-pole circuit breakers, the middle holes are not required).

Connection by interior-mounted rear connectors

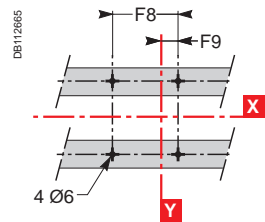
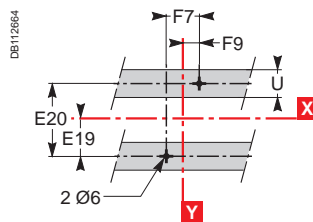
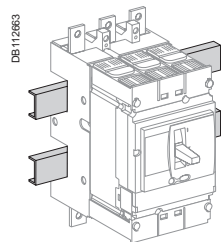


(1) The ØT1 holes are required for rear connection only (for two-pole circuit breakers, the middle holes are not required).

On rails

2/3P

4P

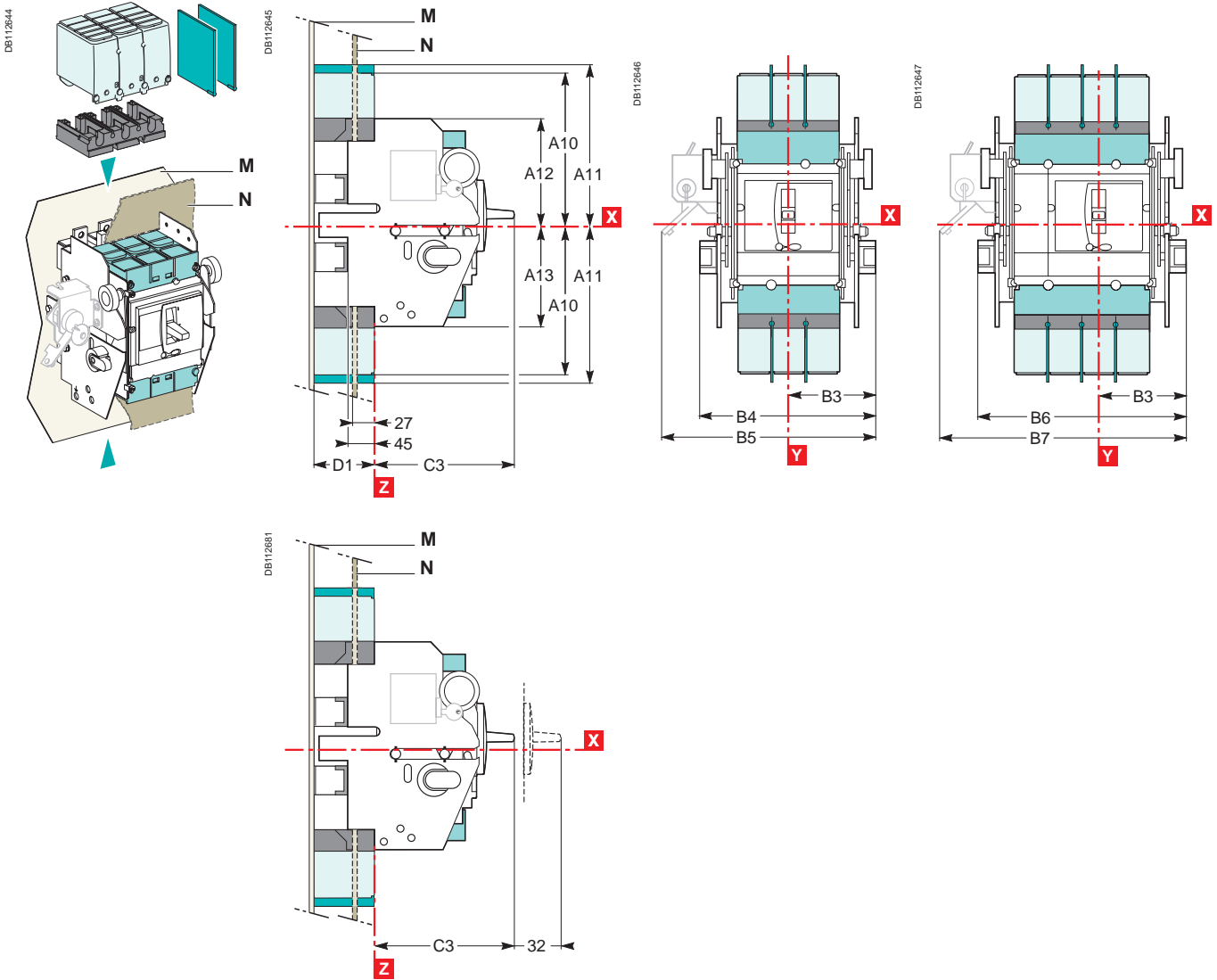


Type	A	A1	A2	A10	A11	B	B1	B2	C3	D1	E9	E10	E11	E12	E13	E14	E15
NSX100/160/250	80.5	161	94	175	210	52.5	105	140	126	75	95	190	87	174	77.5	155	79
NSX400/630	127.5	255	142.5	244	281	70	140	185	168	100	150	300	137	274	125	250	126
Type	E16	E17	E18	E19	E20	F1	F2	F3	F4	F5	F6	F7	F8	F9	ØT1	U	
NSX100/160/250	158	61	122	37.5	75	35	17.5	70	54.5	109	144	70	105	35	24	≤32	
NSX400/630	252	101	202	75	150	45	22.5	90	71.5	143	188	100	145	50	33	≤35	

Dimensions

2/3P

4P



Interphase barriers for base.
 Short terminal shields on circuit breaker.

Long terminal shields.
 Adapter for base, required to mount long terminal shields or interphase barriers.

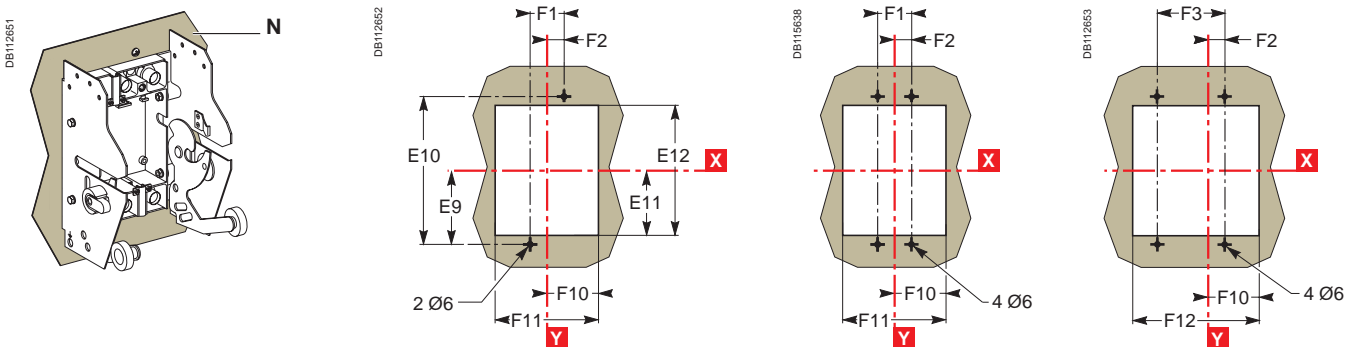
Mounting

Through front panel (N)

2/3P
NSX100 to 250

3P
NSX400/630

4P
NSX100 to 630

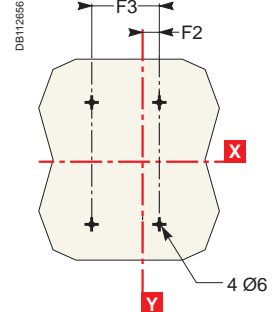
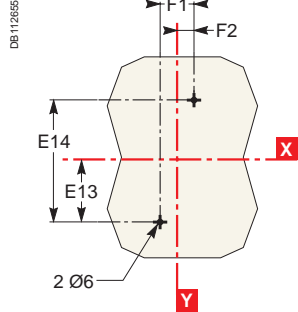
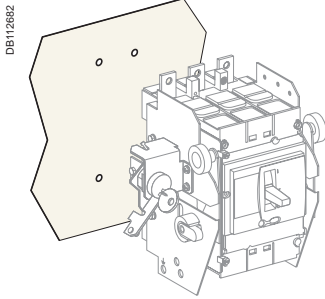


On backplate (M)

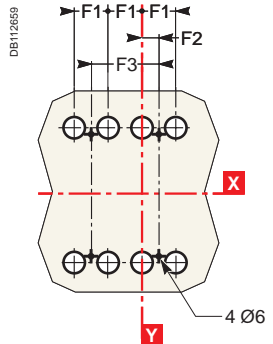
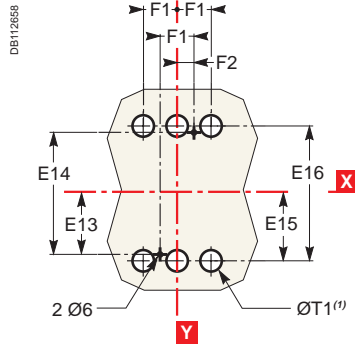
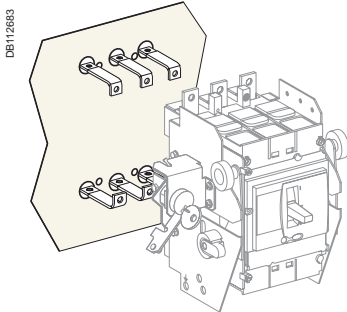
2/3P

4P

Front connection (an insulating screen is supplied with the base and must be fitted between the base and the backplate)

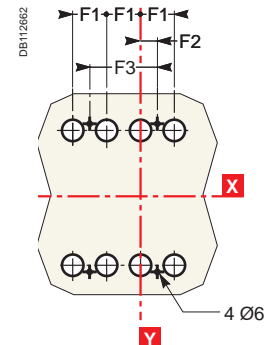
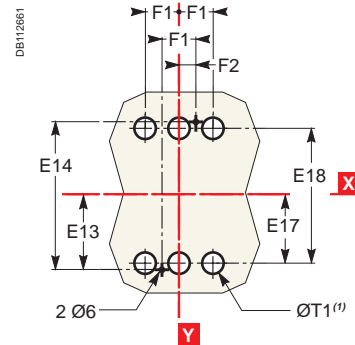
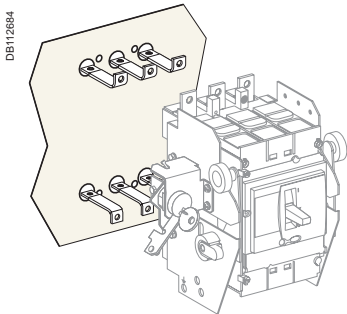


Connection by exterior-mounted rear connectors



(1) The ØT1 holes are required for rear connection only (for two-pole circuit breakers, the middle holes are not required).

Connection by interior-mounted rear connectors

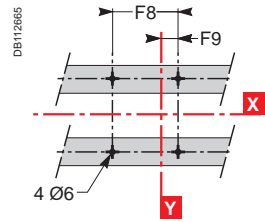
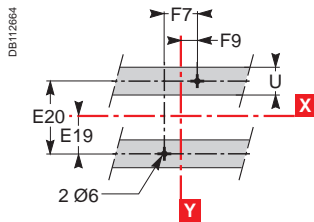
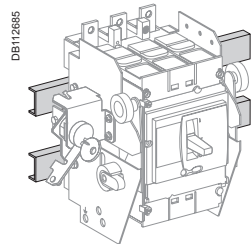


(1) The ØT1 holes are required for rear connection only (for two-pole circuit breakers, the middle holes are not required).

On rails

2/3P

4P



Type	A10	A11	A12	A13	B3	B4	B5	B6	B7	C3	D1	E9	E10	E11	E12	E13	E14
NSX100/160/250	175	210	106.5	103.5	92.5	185	216	220	251	126	75	95	190	87	174	77.5	155
NSX400/630	244	281	140	140	110	220	250	265	295	168	100	150	300	137	274	125	250
Type	E15	E16	E17	E18	E19	E20	F1	F2	F3	F7	F8	F9	F10	F11	F12	ØT1	U
NSX100/160/250	79	158	61	122	37.5	75	35	17.5	70	70	105	35	74	148	183	24	≤ 32
NSX400/630	126	252	101	202	75	150	45	22.5	90	100	145	50	91.5	183	228	33	≤ 35

Dimensions and mounting

Vigicomact NSX100 to 630 plug-in and withdrawable versions

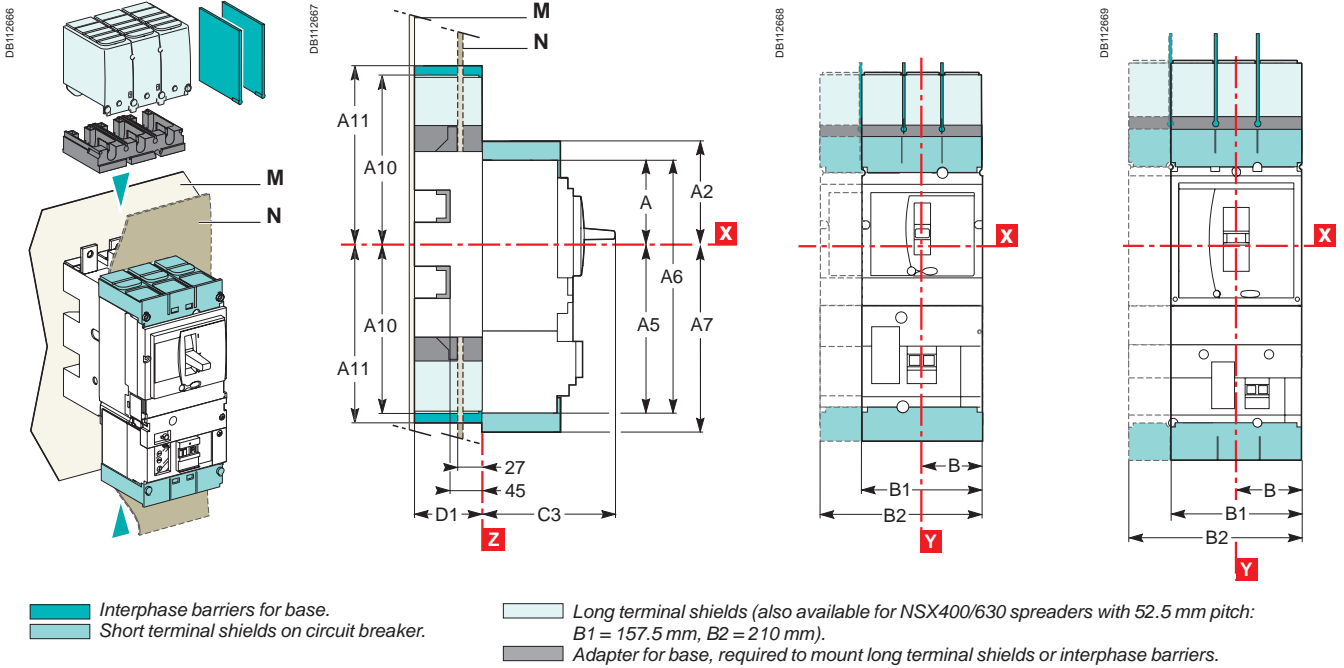
Dimensions - plug-in version

NSX100 to 250

NSX400/630

3/4P

3/4P

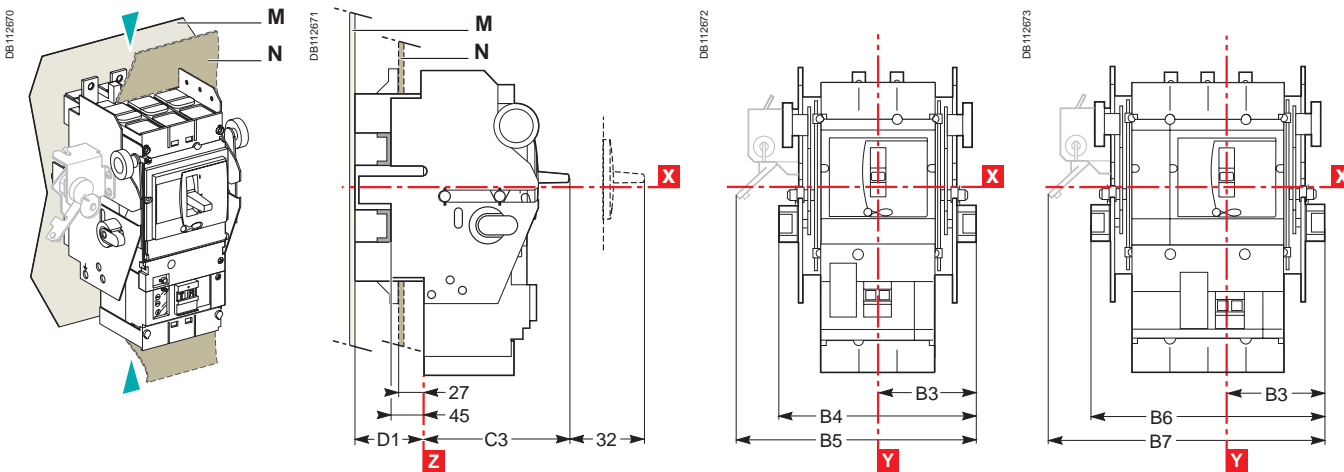


Dimensions - withdrawable version

NSX100 to 630

3P

4P



Mounting

Through front panel (N)

See Compact NSX100 to 630 plug-in version, [page C-4](#), or withdrawable version, [page C-6](#)

On backplate (M)

See Compact NSX100 to 630 plug-in version, [page C-5](#), or withdrawable version, [page C-7](#)

On rails

See Compact NSX100 to 630 plug-in version, [page C-5](#), or withdrawable version, [page C-7](#)

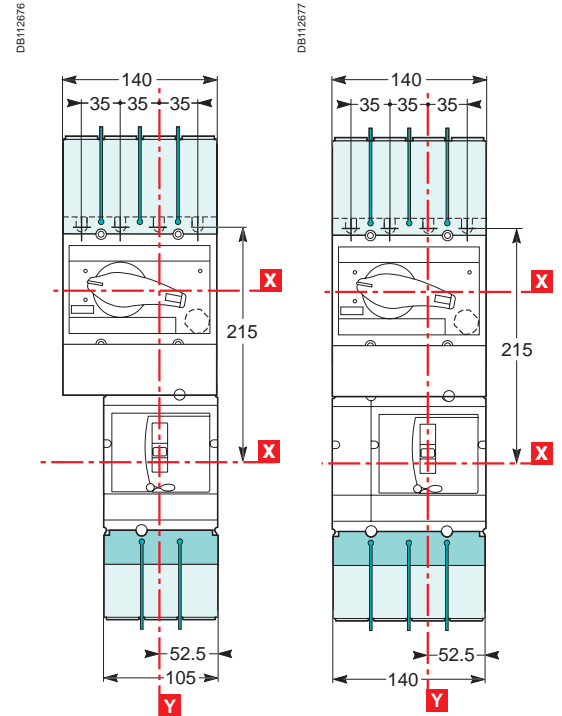
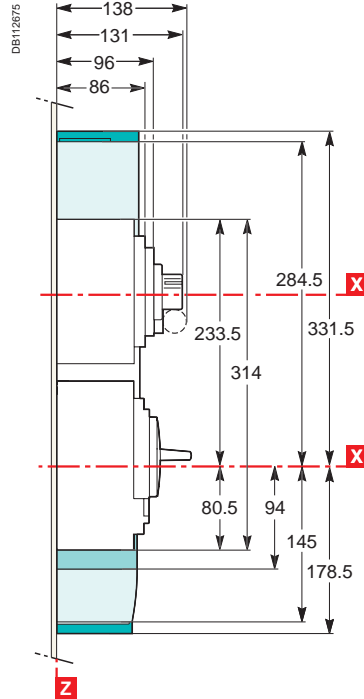
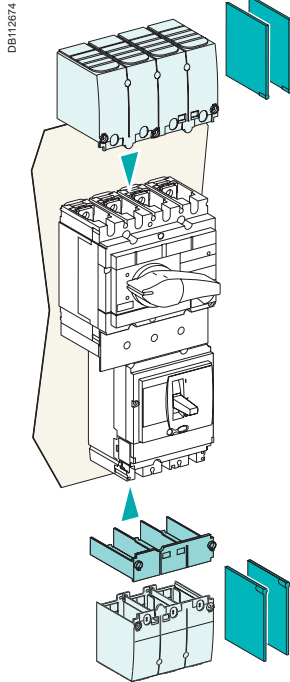
Type	A	A2	A5	A6	A7	A10	A11	B	B1	B2	B3	B4	B5	B6	B7	C3	D1
NSX100/160/250	80.5	94	155.5	236	169	175	210	52.5	105	140	92.5	185	216	220	251	126	75
NSX400/630	127.5	142.5	227.5	355	242.5	244	281	70	140	185	110	220	250	265	295	168	100

Visu function for Compact NSX100 to 250 fixed version

Dimensions - combination with Intercompact INV100 to 250

3P

4P



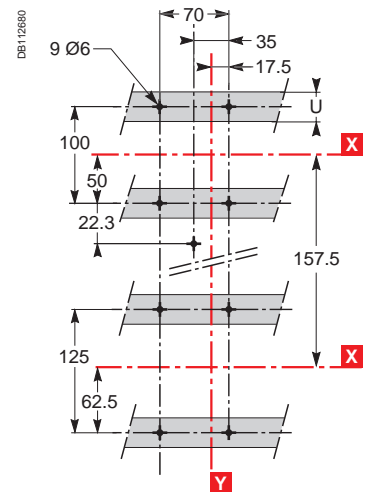
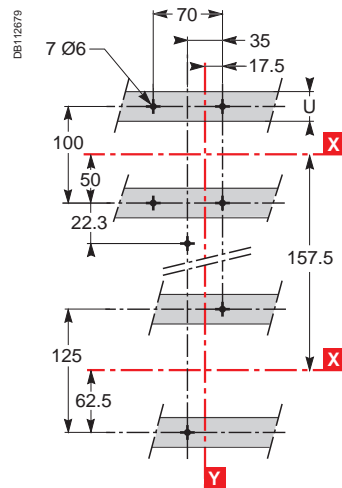
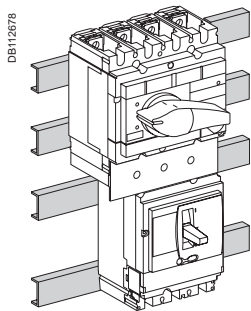
- Interphase barriers.
- Short terminal shields.
- Long terminal shields.

Mounting

3P

4P

On rails or backplate



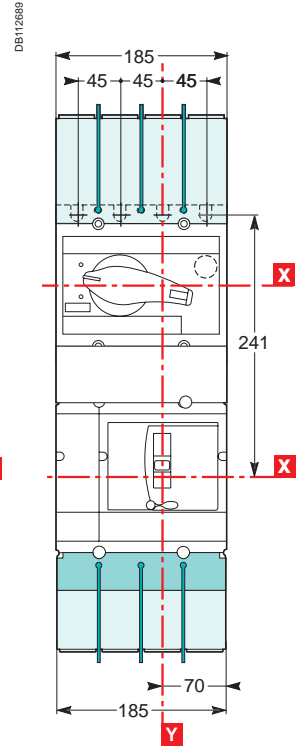
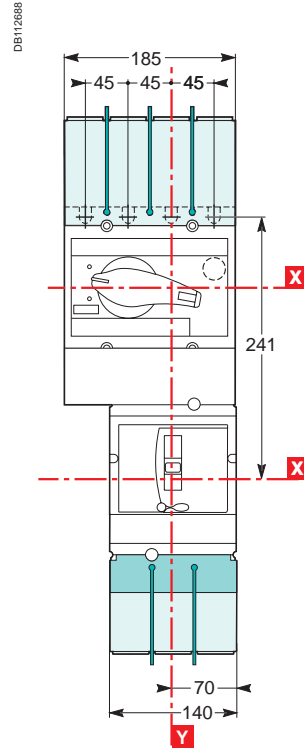
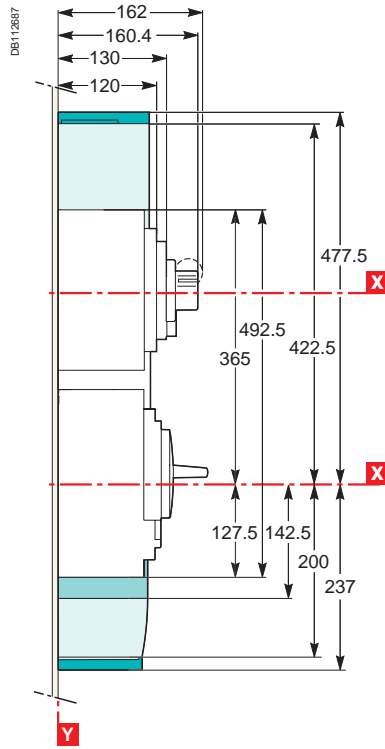
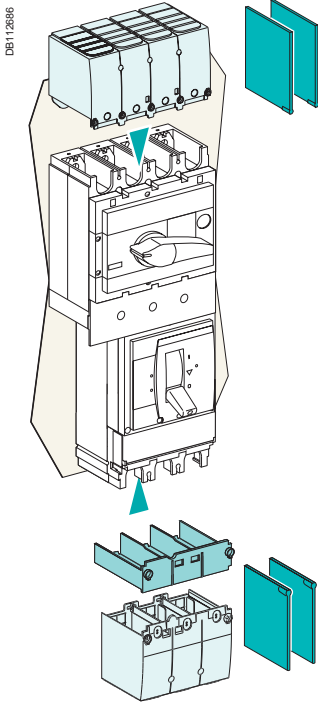
Dimensions and mounting

Visu function for Compact NSX400/630 fixed version

Dimensions - combination with Intercompact INV400 to 630

3P

4P



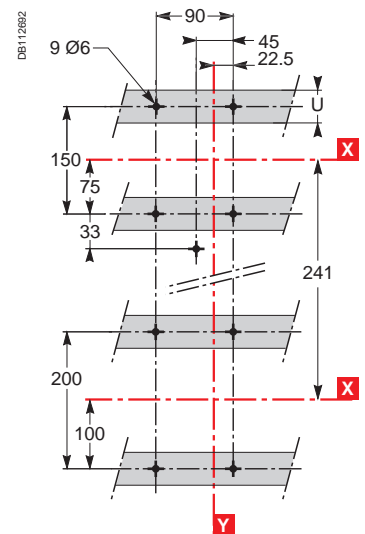
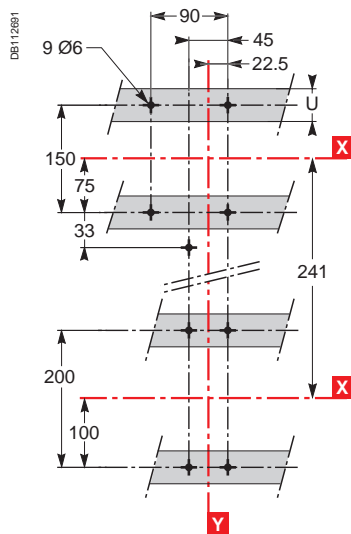
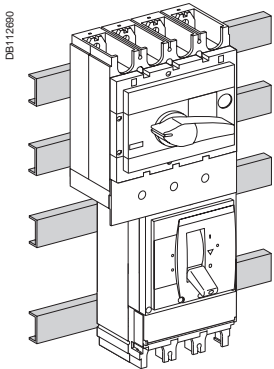
- Interphase barriers for base.
- Short terminal shields.
- Long terminal shields.

Mounting

3P

4P

On rails or backplate



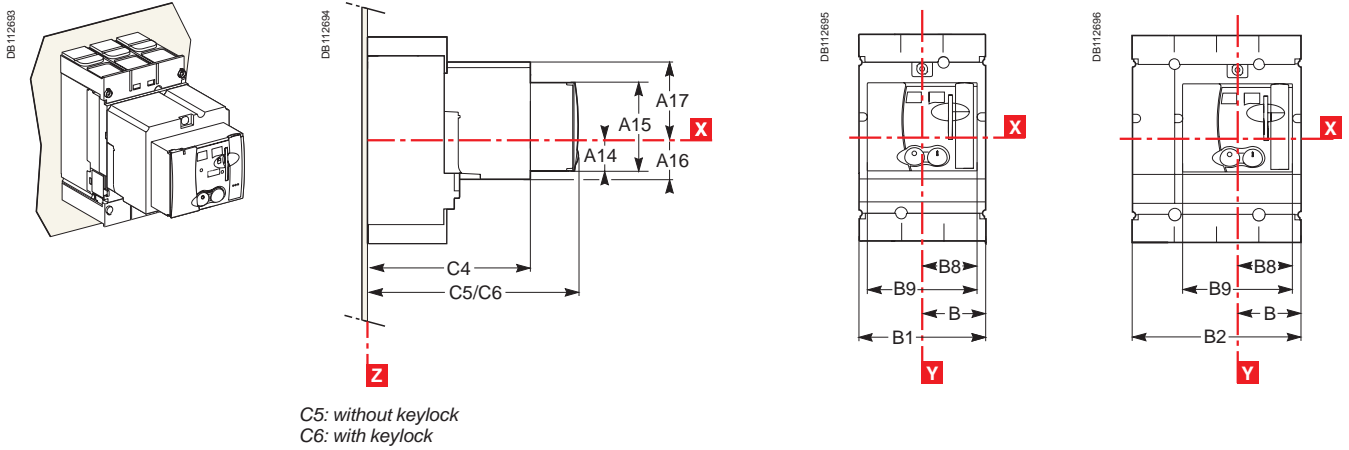
Motor mechanism module for Compact NSX100 to 630

Dimensions

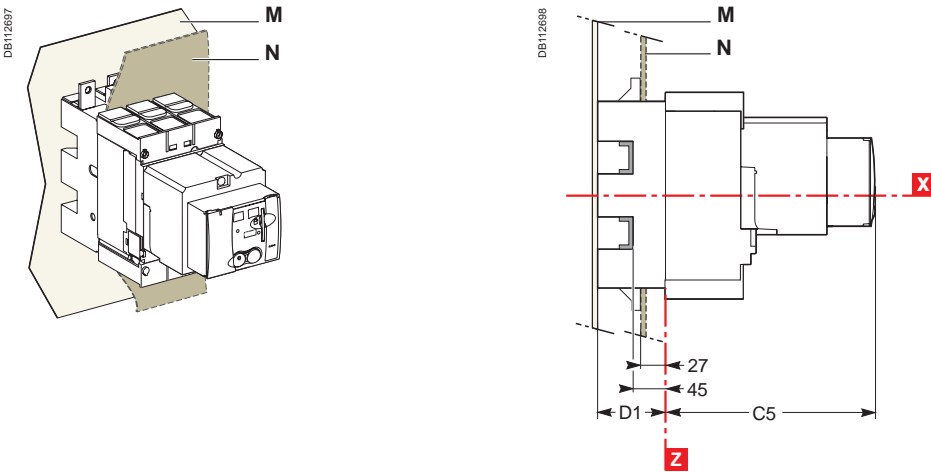
3P

4P

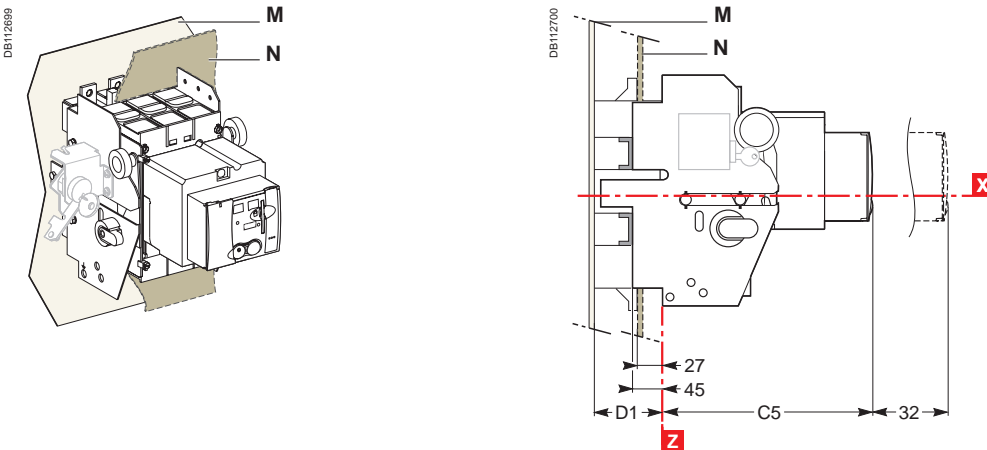
Fixed circuit breaker



Plug-in circuit breaker



Withdrawable circuit breaker



Type	A14	A15	A16	A17	B	B1	B2	B8	B9	C4	C5	C6	D1
NSX100/160/250	27.5	73	34.5	62.5	52.5	105	140	45.5	91	143	182	209.5	75
NSX400/630	40	123	52	100	70	140	185	61.5	123	215	256	258	100

Dimensions and mounting

Direct rotary handle for Compact and Vigicompact NSX100 to 630

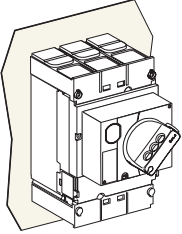
Dimensions

3P

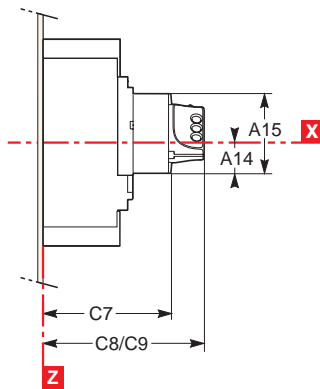
4P

Fixed circuit breaker

DE112701

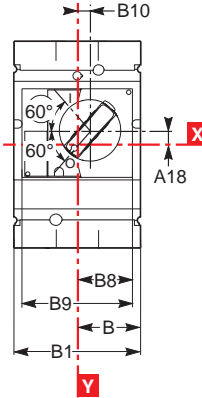


DE112702

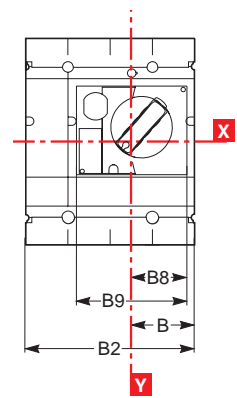


C8: without keylock
C9: with keylock

DE112703

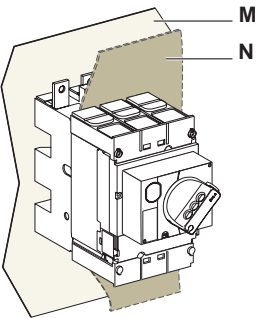


DE112704

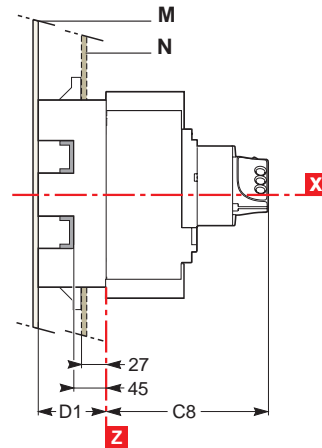


Plug-in circuit breaker

DE112705

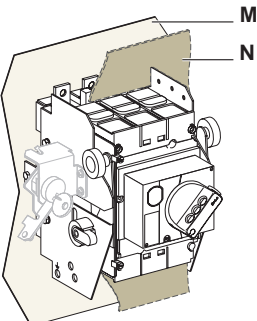


DE112706

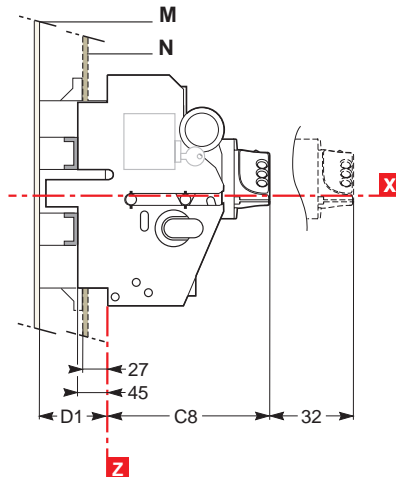


Withdrawable circuit breaker

DE112707



DE112708

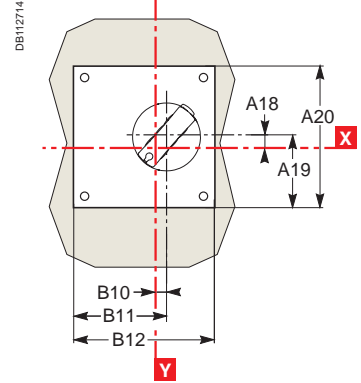
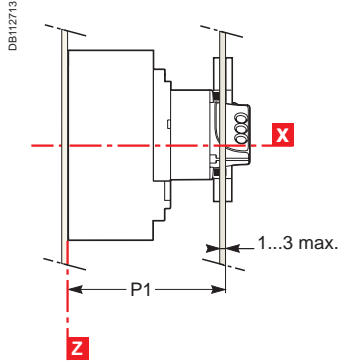
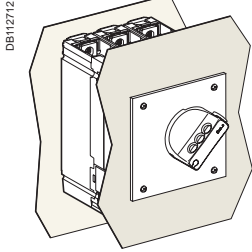


Type	A14	A15	A18	B	B1	B2	B8	B9	B10	C7	C8	C9	D1
NSX100/160/250	27.5	73	9	52.5	105	140	45.5	91	9.25	121	155	164	75
NSX400/630	40	123	24.6	70	140	185	61.5	123	5	145	179	188	100

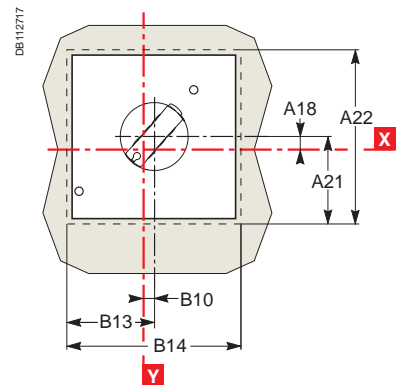
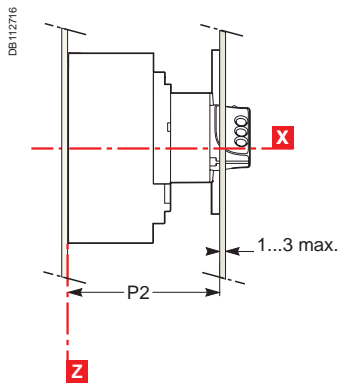
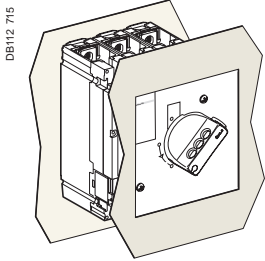
MCC and CNOMO type direct rotary handles for Compact NSX100 to 630 fixed version

Dimensions

MCC type direct rotary handle



CNOMO type direct rotary handle

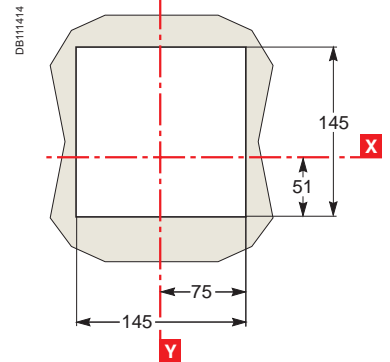
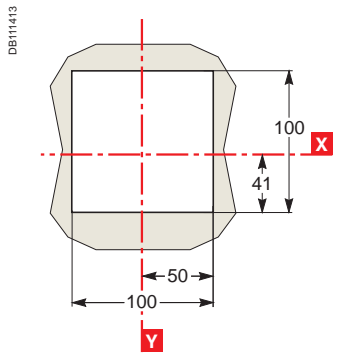
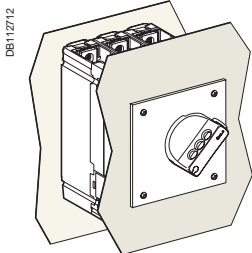


Front-panel cutout

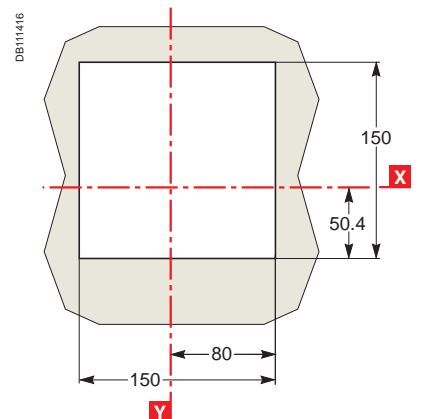
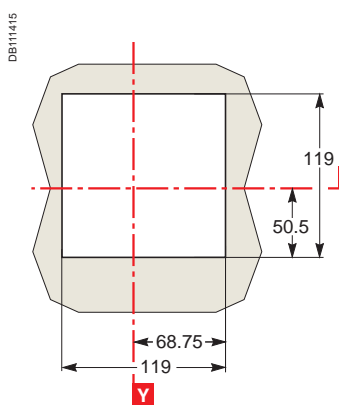
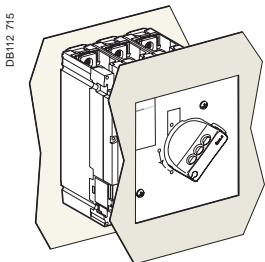
NSX100 to 250

NSX400/630

MCC type direct rotary handle



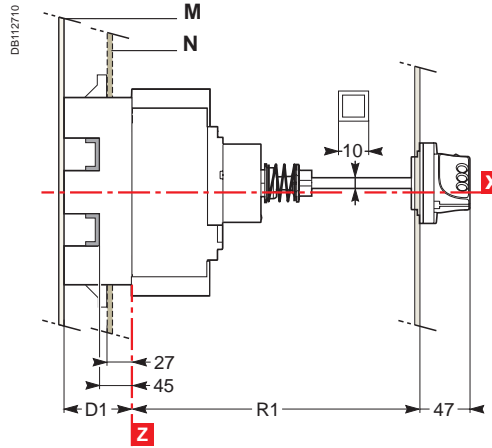
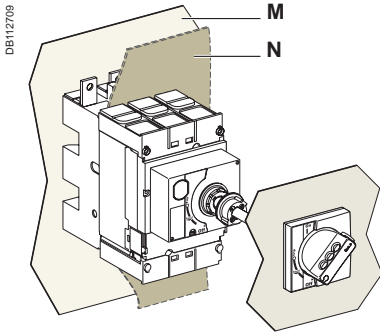
CNOMO type direct rotary handle



Type	A18	A19	A20	A21	A22	B10
NSX100/160/250	9	60	120	65	130	9.25
NSX400/630	24.6	83	160	82	164	5
Type	B11	B12	B13	B14	P1	P2
NSX100/160/250	69	120	65	130	125	135
NSX400/630	85	160	82	164	149	158

Dimensions

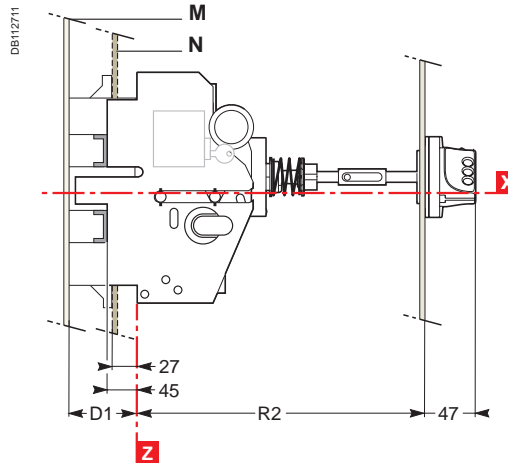
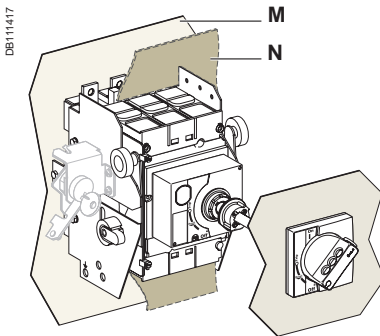
Fixed and plug-in circuit breakers



Cutout for shaft (mm)

Type	R1
NSX100/160/250	min. 171 max. 600
NSX400/630	min. 195 max. 600

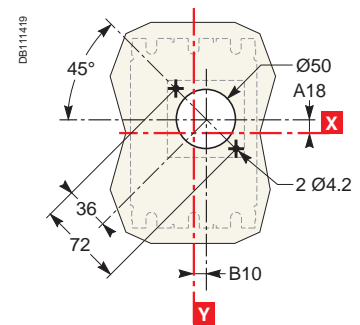
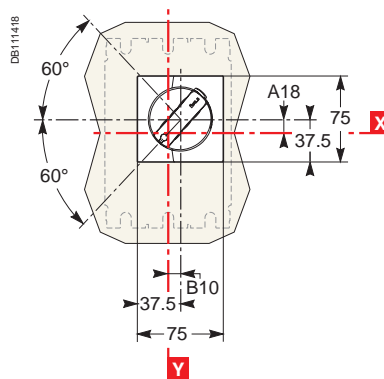
Withdrawable circuit breaker



Cutout for shaft (mm)

Type	R2
NSX100/160/250	min. 248 max. 600
NSX400/630	min. 272 max. 600

Dimensions and front-panel cutout

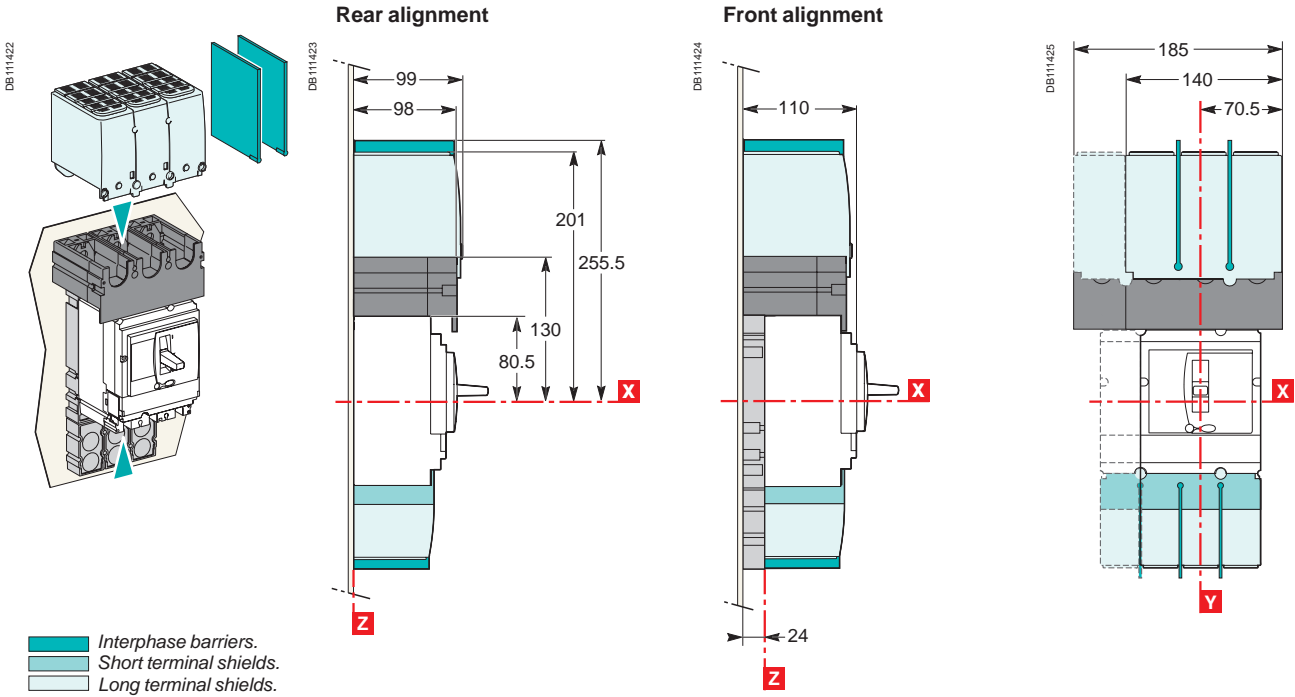


Type	A18	B10	D1
NSX100/160/250	9	9.25	75
NSX400/630	24.6	5	100

Dimensions and mounting

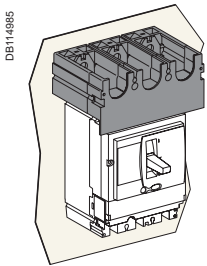
One-piece spreader for Compact NSX100 to 250 fixed version

Dimensions

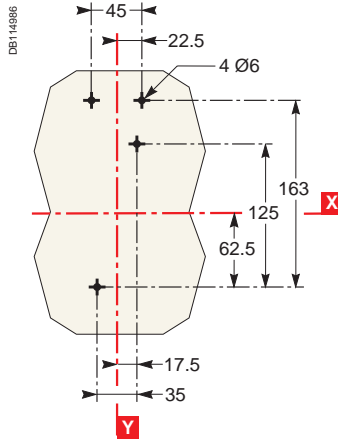


Mounting

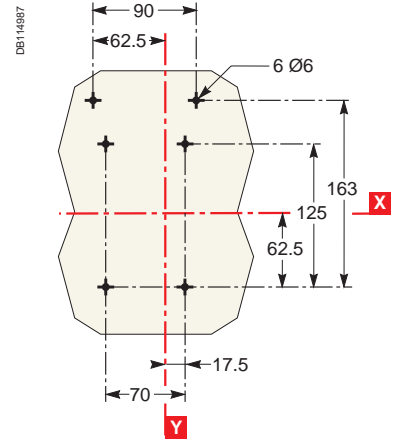
Rear alignment



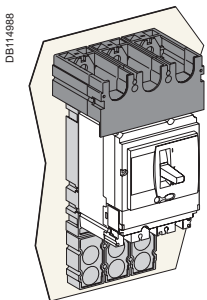
2/3P



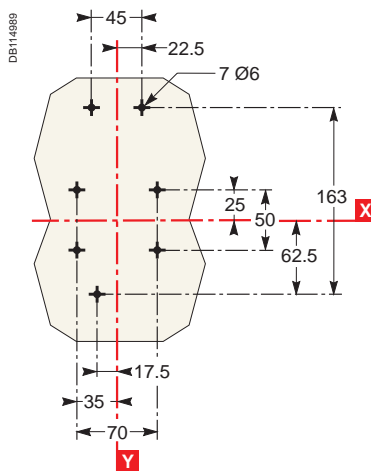
4P



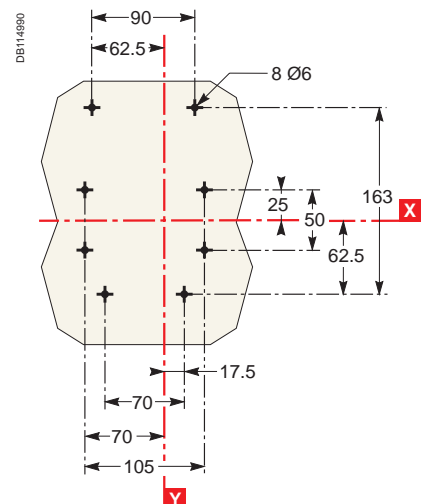
Front alignment



2/3P

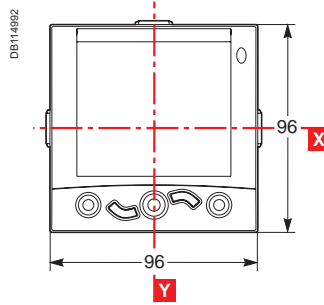
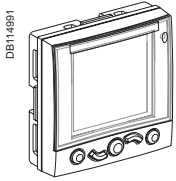


4P



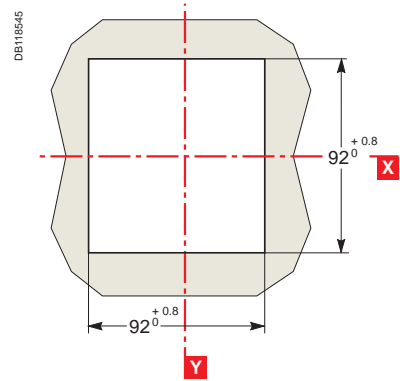
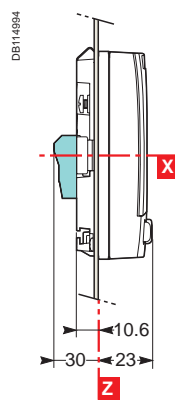
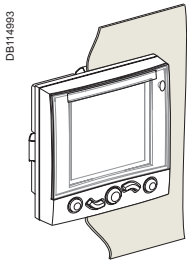
FDM121 switchboard display

Dimensions

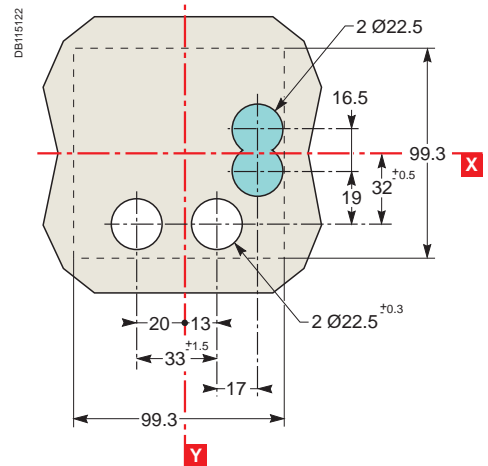
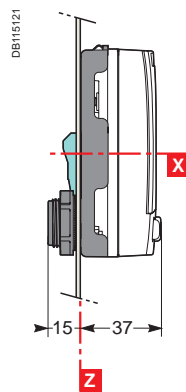
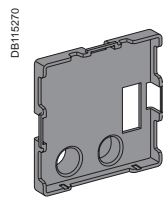
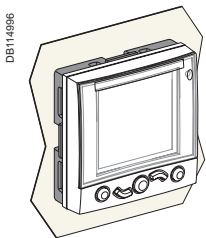


Mounting

Through panel



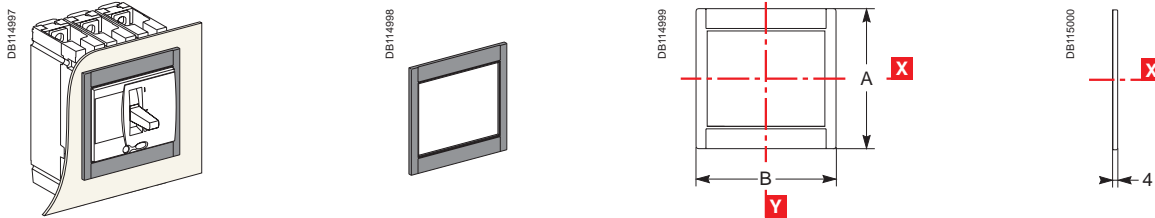
On panel



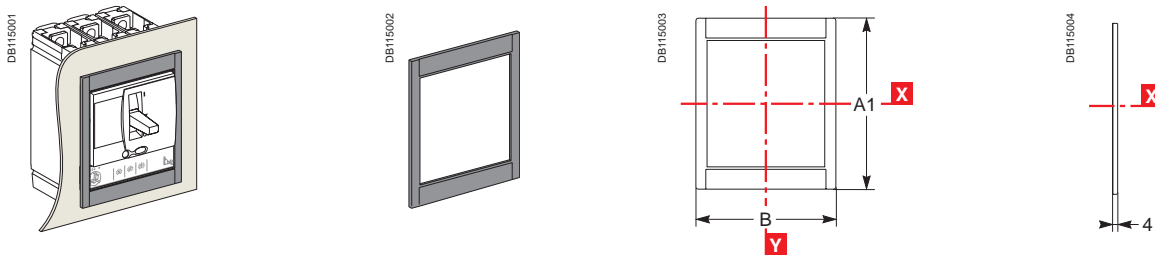
 Connector (optional).

IP30 front-panel escutcheons

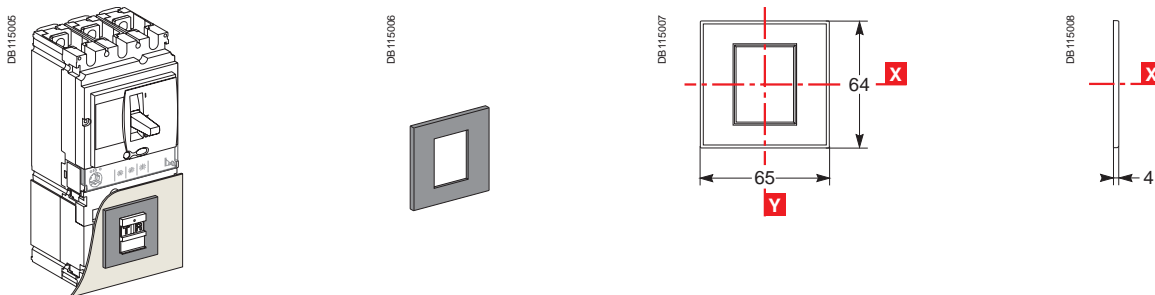
For toggle, rotary handle or motor mechanism module



For toggle or rotary handle with access to trip unit

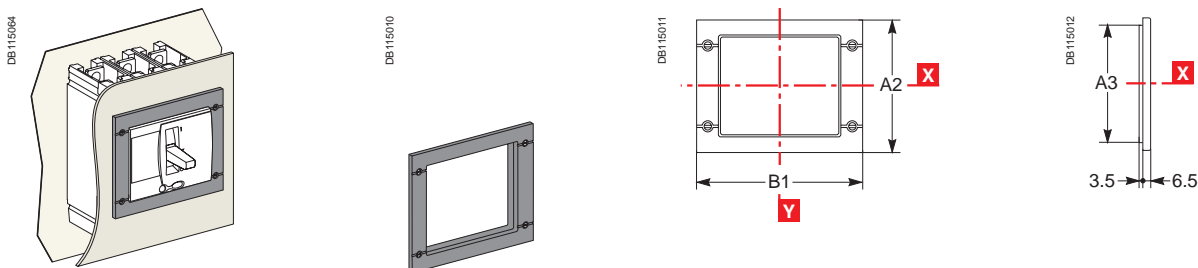


For Vigicompact

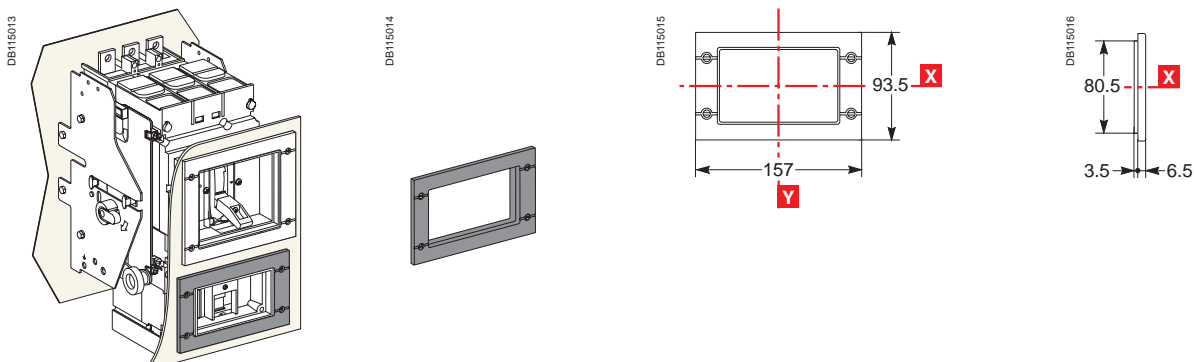


IP40 front-panel escutcheons

For toggle, rotary handle or motor mechanism module and protection collar

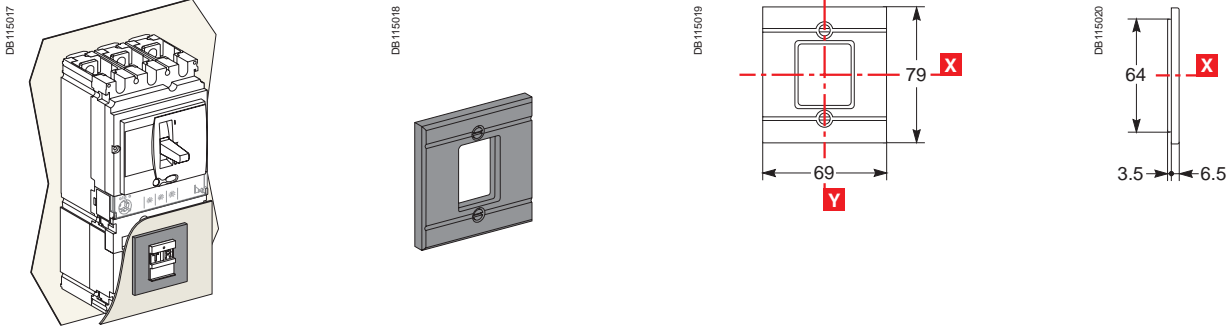


For Vigicompact with protection collar or ammeter module



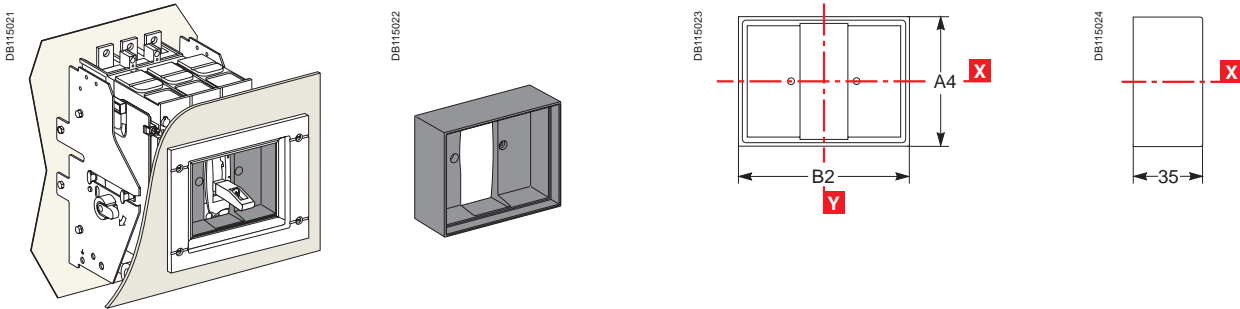
IP40 front-panel escutcheons (cont.)

For Vigicomact

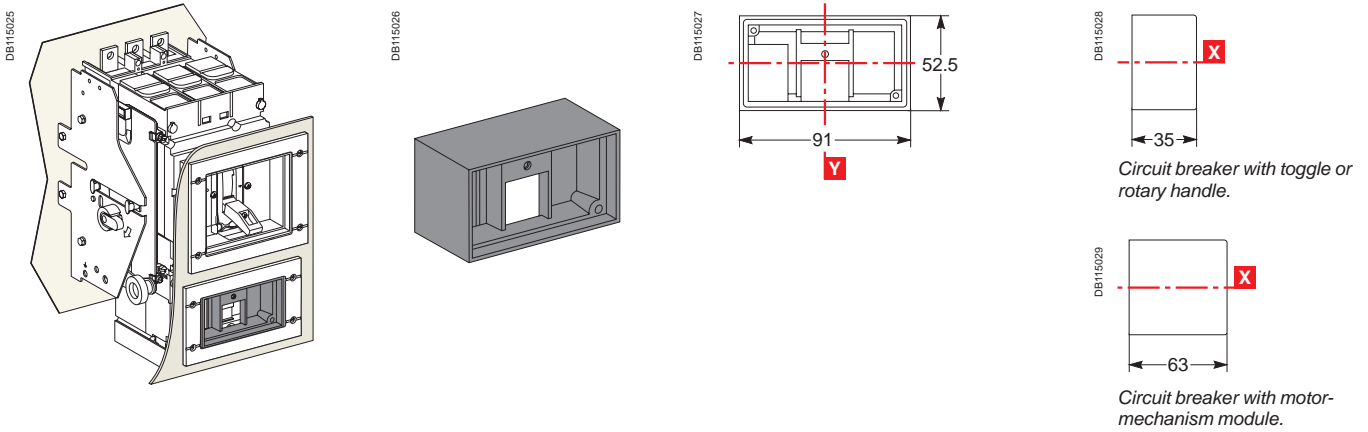


Protection collars for IP40 front-panel escutcheons

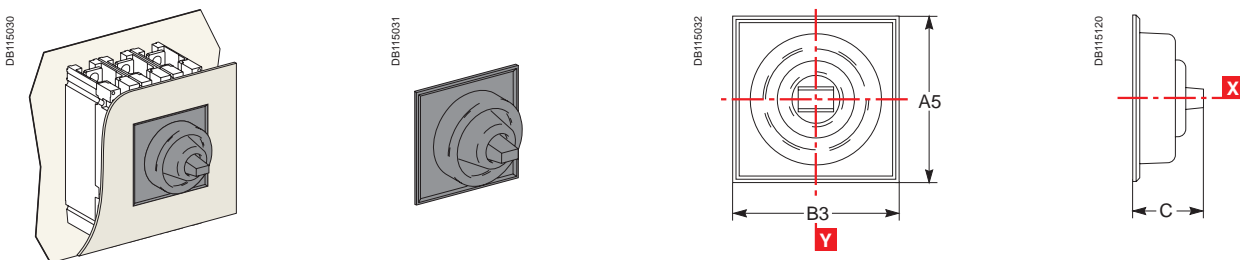
For toggle



For Vigicomact



IP43 toggle cover



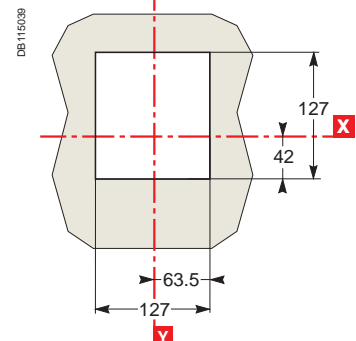
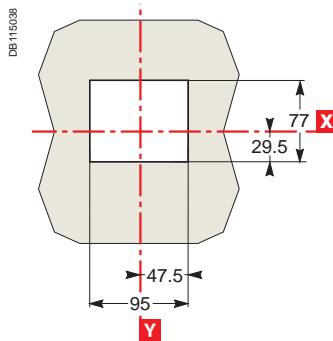
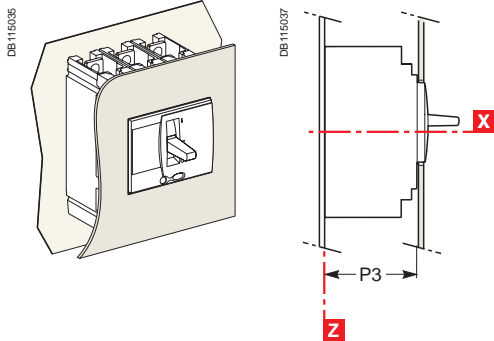
Type	A	A1	A2	A3	A4	A5	B	B1	B2	B3	C
NSX100/160/250	113	138	114	101	73	85	113	157	91	103	40
NSX400/630	163	211	164	151	122.5	138	163	189	122.5	138	60

Bare sheet metal

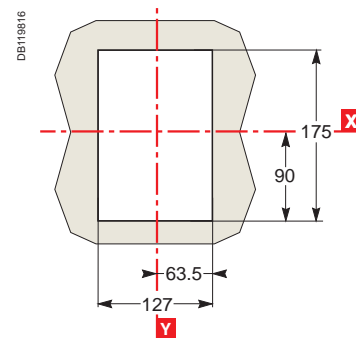
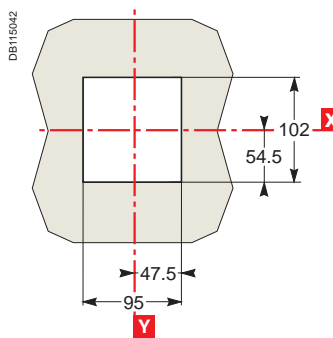
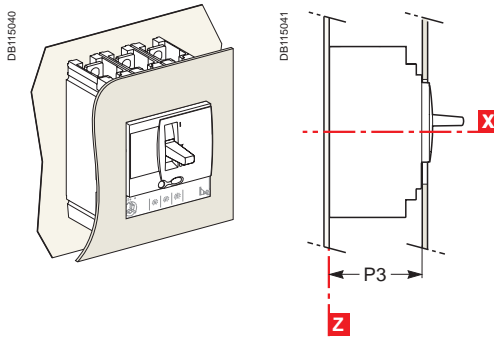
NSX100 to 250

NSX400/630

For toggle



For toggle with access to trip unit

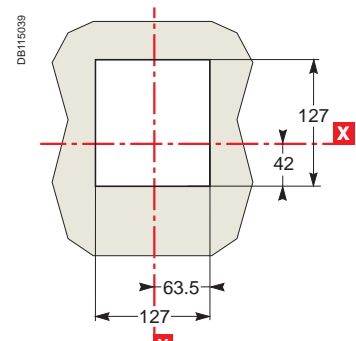
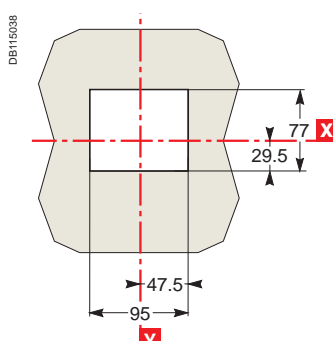
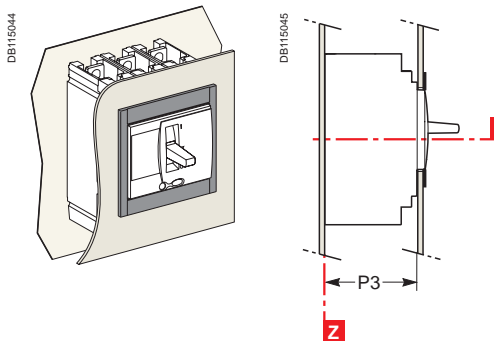


With IP30 front-panel escutcheon

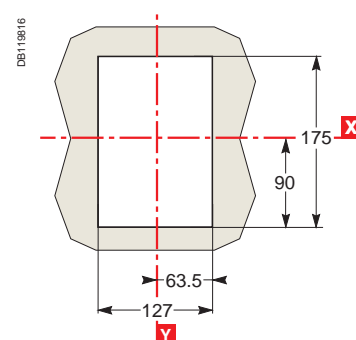
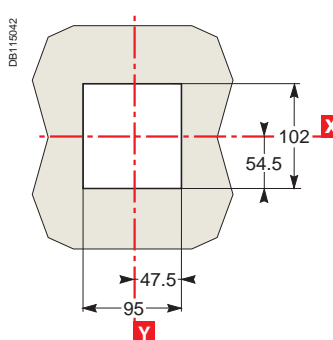
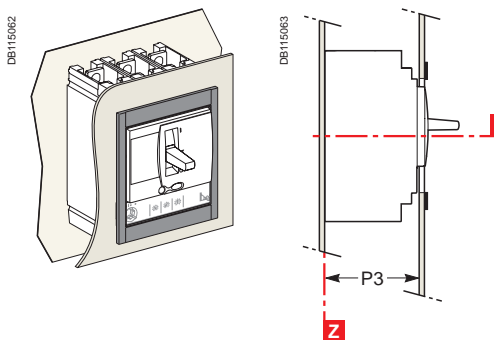
NSX100 to 250

NSX400/630

For toggle



For toggle with access to trip unit

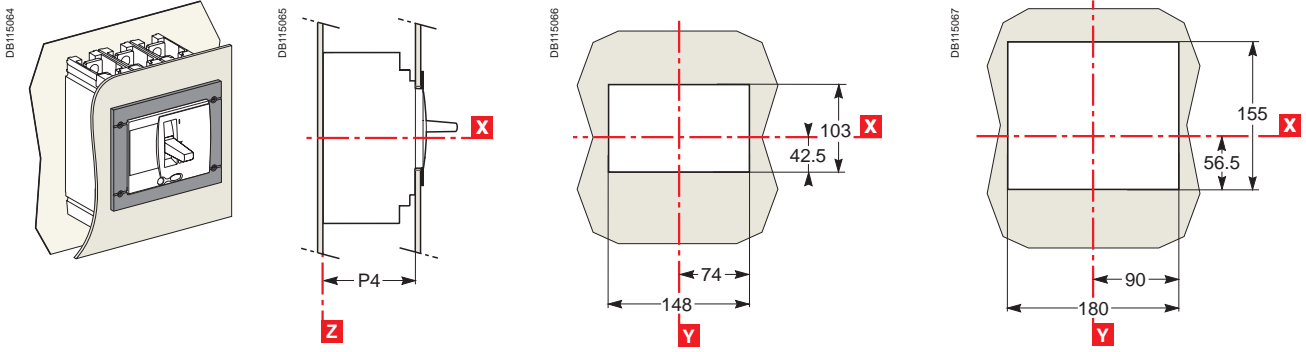


With IP40 front-panel escutcheon

NSX100 to 250

NSX400/630

For toggle

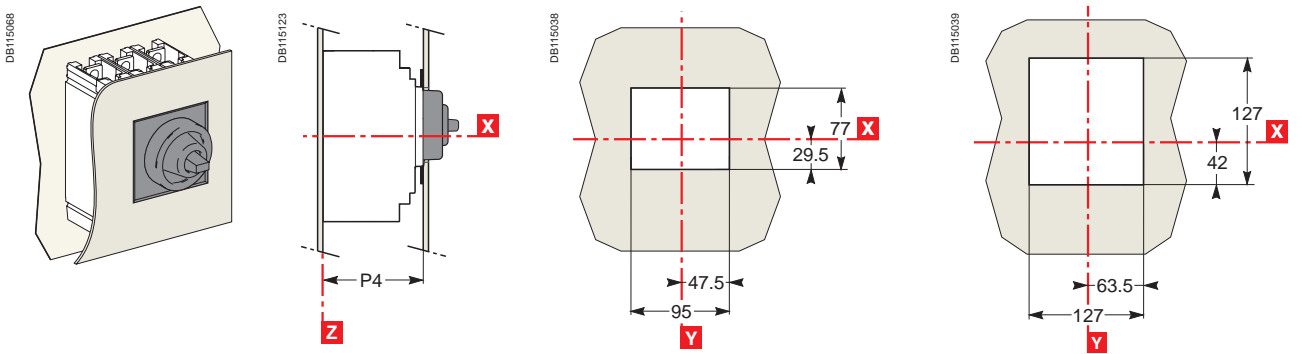


With IP43 toggle cover

NSX100 to 250

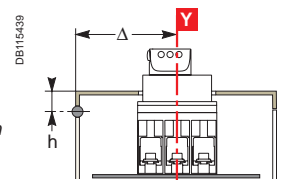
NSX400/630

For toggle



Type	P3	P4
NSX100/160/250	88	89
NSX400/630	112	113

Note: door cutout dimensions are given for a device position in the enclosure where $\Delta \geq 100 + (h \times 5)$ with respect to the door hinge.



Front-panel cutouts

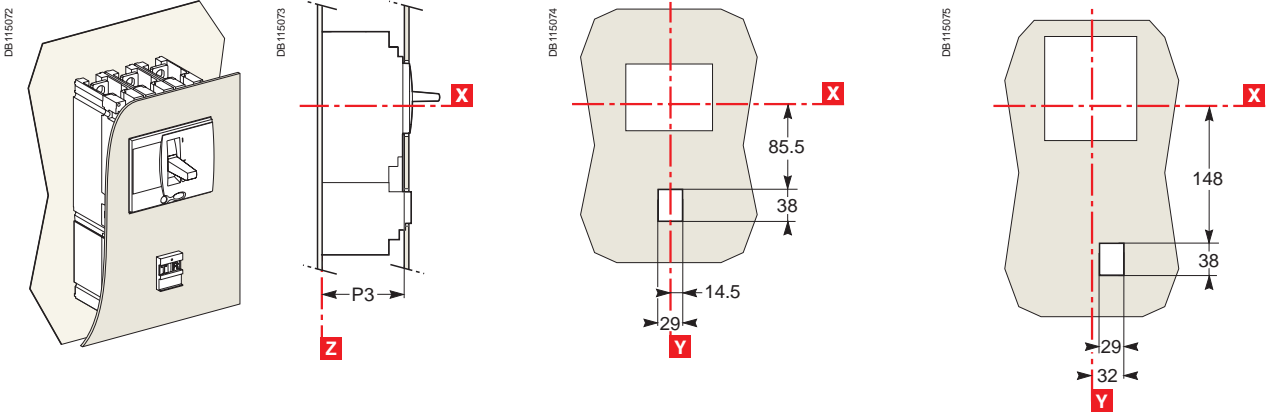
Vigicomact NSX100 to 630 fixed version

Bare sheet metal

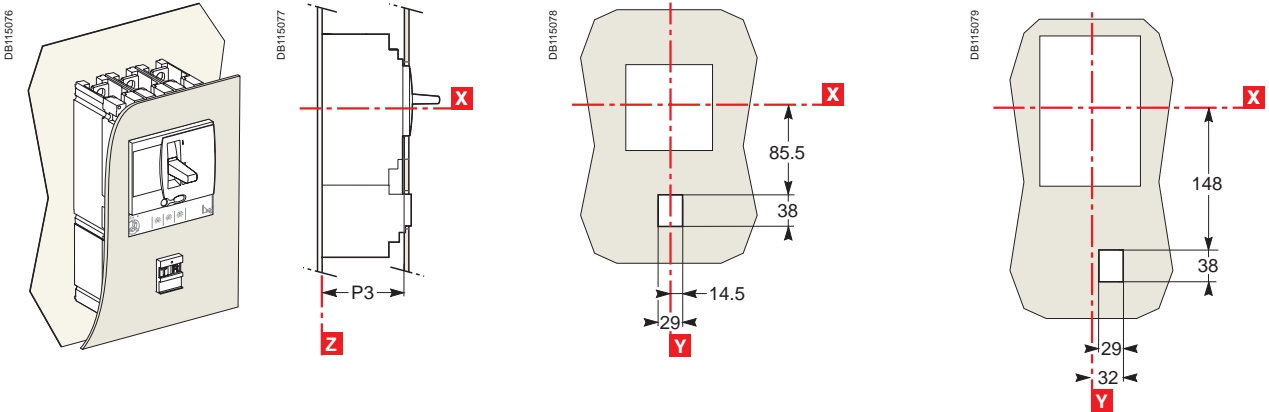
NSX100 to 250

NSX400/630

For toggle



For toggle with access to trip unit

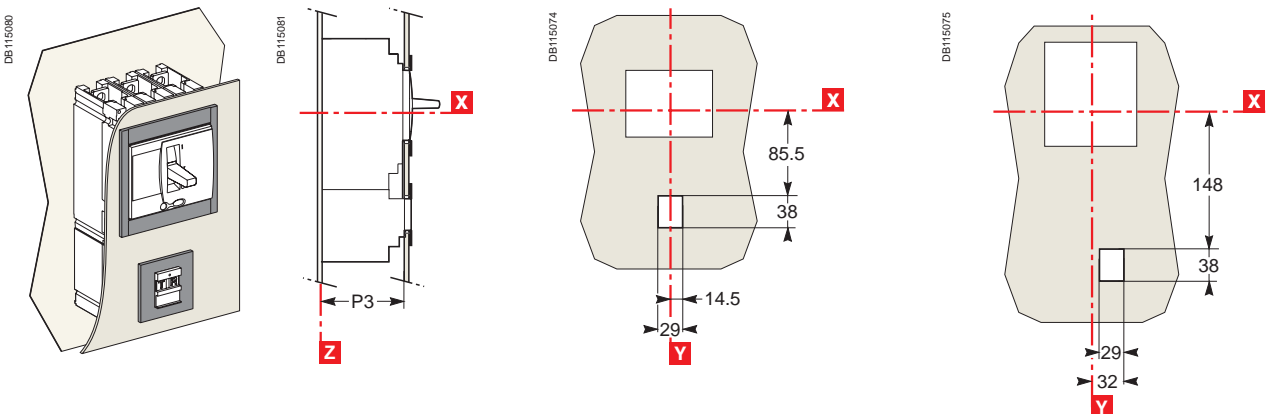


With IP30 front-panel escutcheon

NSX100 to 250

NSX400/630

For toggle



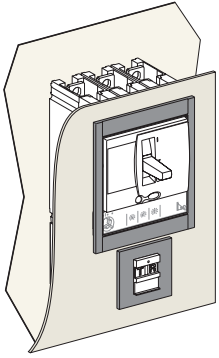
With IP30 front-panel escutcheon (cont.)

NSX100 to 250

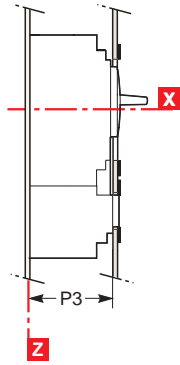
NSX400/630

For toggle with access to trip unit

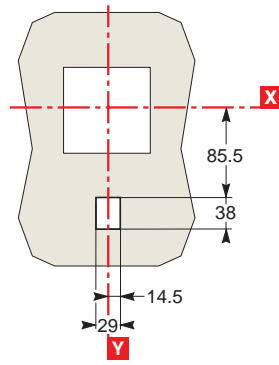
DB115082



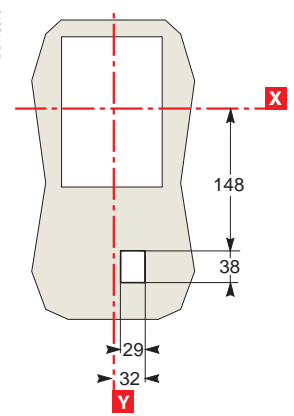
DB115083



DB115078



DB115079



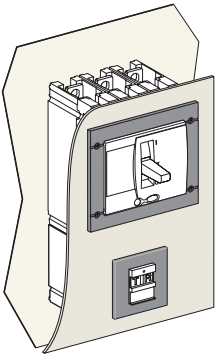
With IP40 front-panel escutcheon

NSX100 to 250

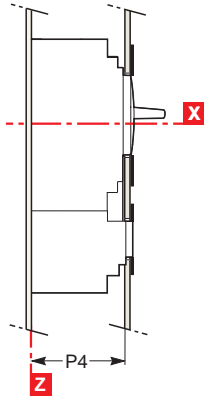
NSX400/630

For toggle

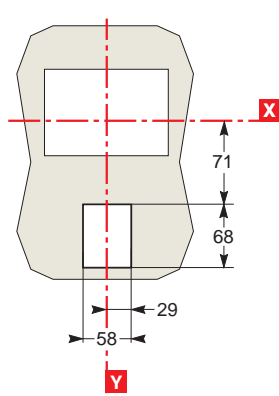
DB115084



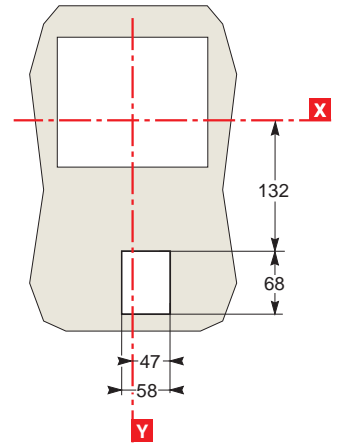
DB115085



DB115086

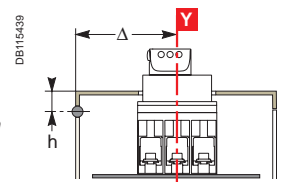


DB115087



Type	P3	P4
NSX100/160/250	88	89
NSX400/630	112	113

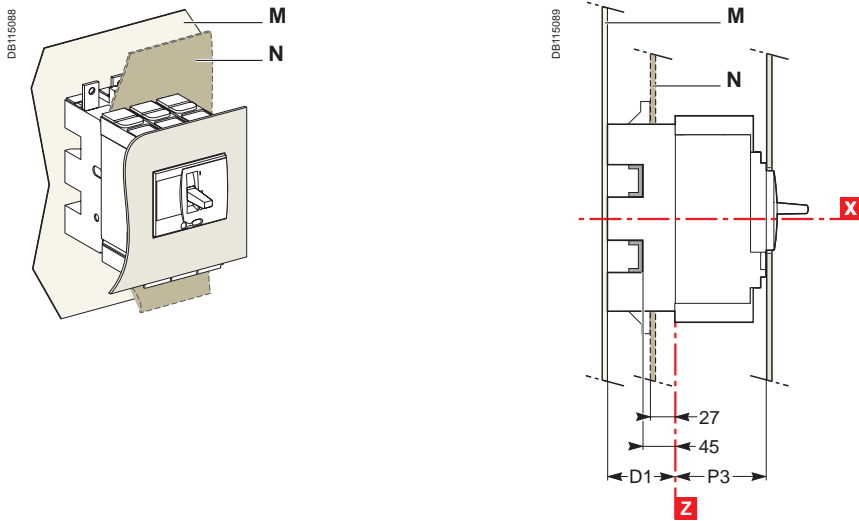
Note: door cutout dimensions are given for a device position in the enclosure where $\Delta \geq 100 + (h \times 5)$ with respect to the door hinge.



Front-panel cutouts

Compact NSX100 to 630 plug-in and withdrawable versions

Plug-in version



Bare sheet metal

See Compact NSX100 to 630 fixed version, [page C-20](#)

With IP30 front-panel escutcheon

See Compact NSX100 to 630 fixed version, [page C-20](#)

With IP40 front-panel escutcheon

See Compact NSX100 to 630 fixed version, [page C-21](#)

With toggle cover

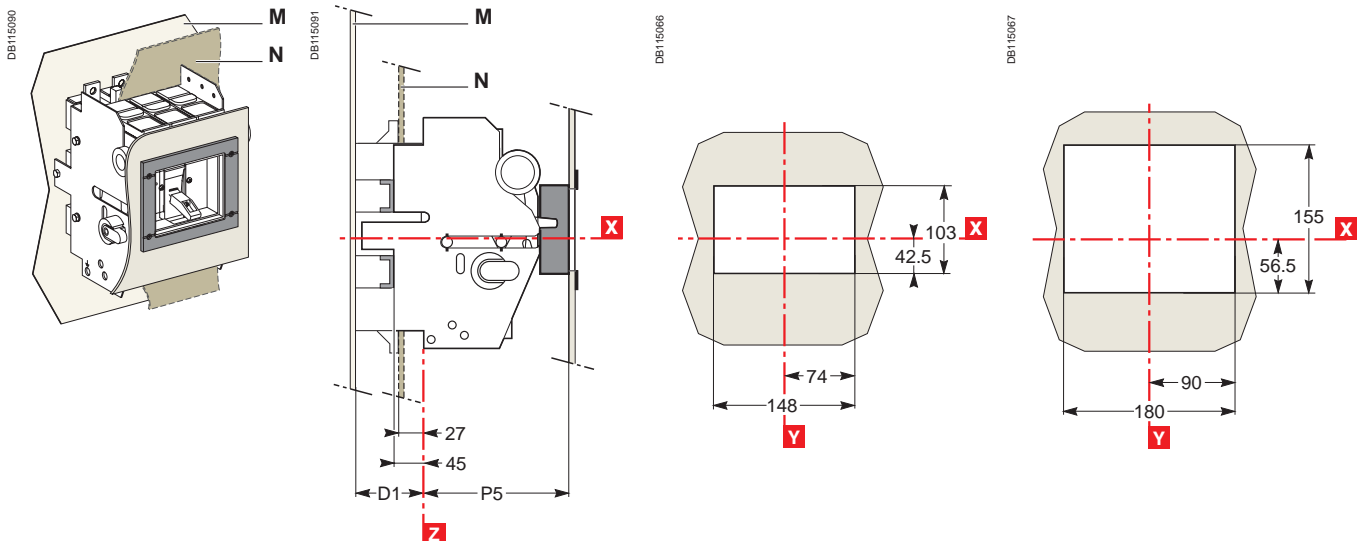
See Compact NSX100 to 630 fixed version, [page C-21](#)

Withdrawable version

NSX100 to 250

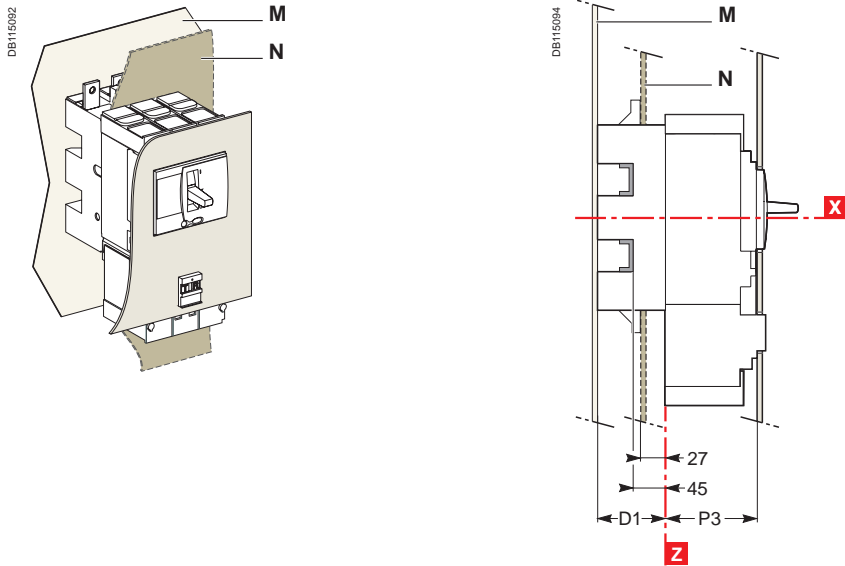
NSX400/630

With protection collar and IP40 front-panel escutcheon



Vigicomact NSX100 to 630 plug-in and withdrawable versions

Plug-in version



Bare sheet metal

See Compact NSX100 to 630 fixed version, [page C-22](#)

With IP30 front-panel escutcheon

See Compact NSX100 to 630 fixed version, [page C-22](#)

With IP40 front-panel escutcheon

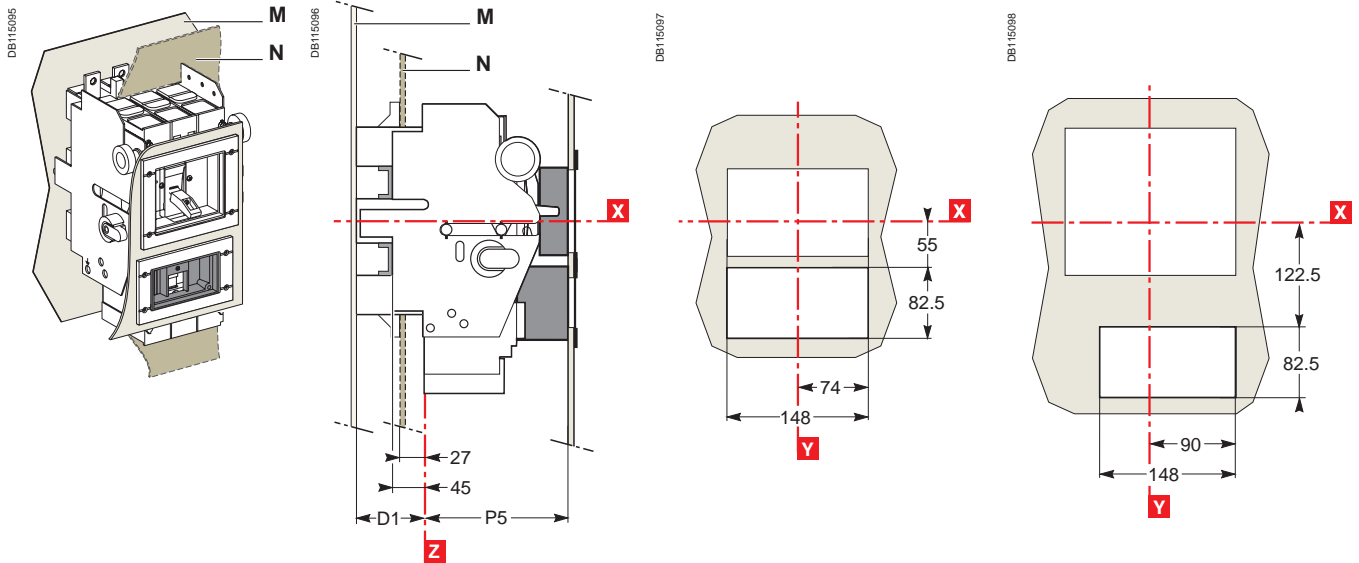
See Compact NSX100 to 630 fixed version, [page C-23](#)

Withdrawable version

NSX100 to 250

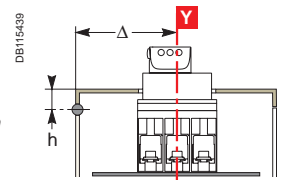
NSX400/630

With protection collar and IP40 front-panel escutcheon



Type	D1	P3	P5
NSX100/160/250	75	88	123
NSX400/630	100	112	147

Note: door cutout dimensions are given for a device position in the enclosure where $\Delta \geq 100 + (h \times 5)$ with respect to the door hinge.

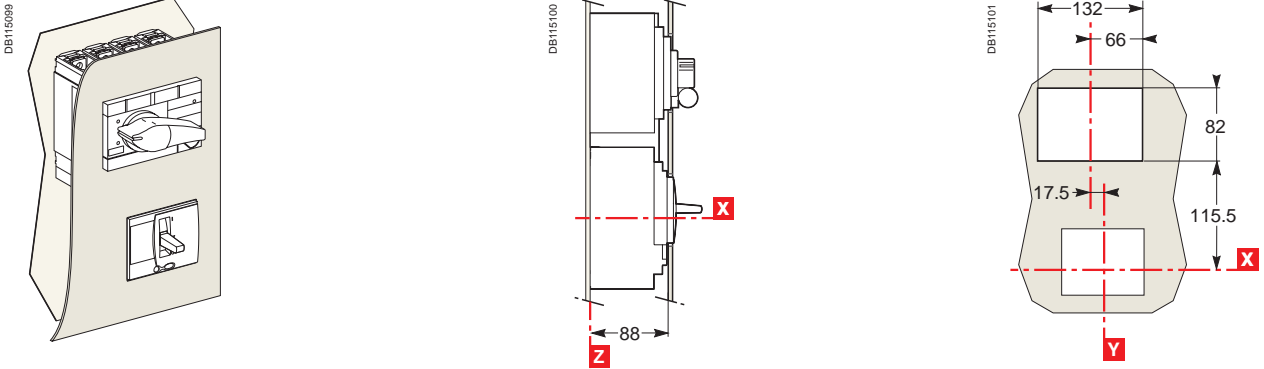


Front-panel cutouts

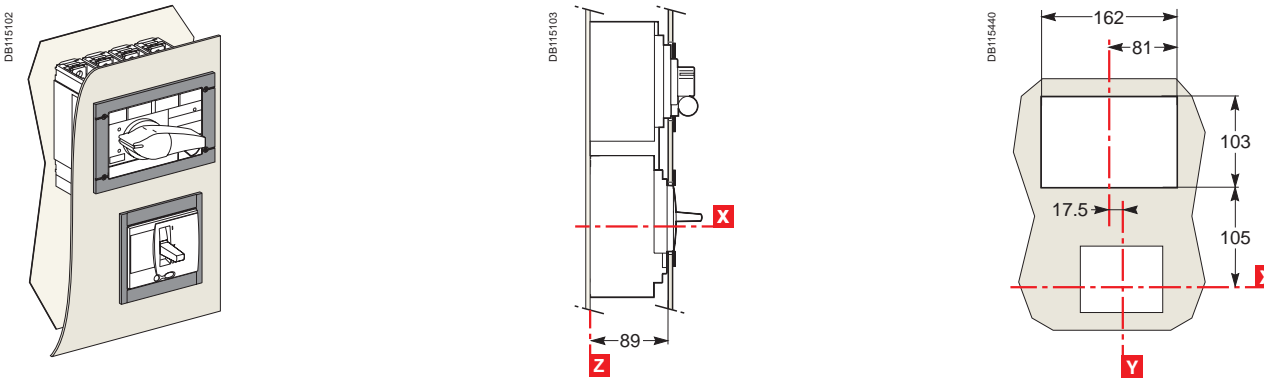
Visu function for Compact NSX100 to 630 fixed version

Compact NSX100 to 250 with Interpact INV100 to 250 Visu function

Bare sheet metal

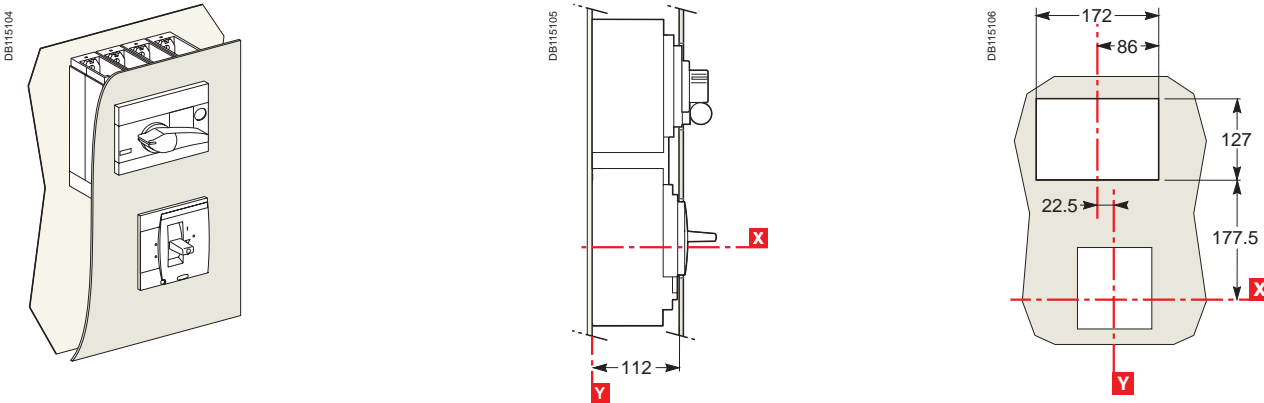


With IP40 front-panel escutcheon

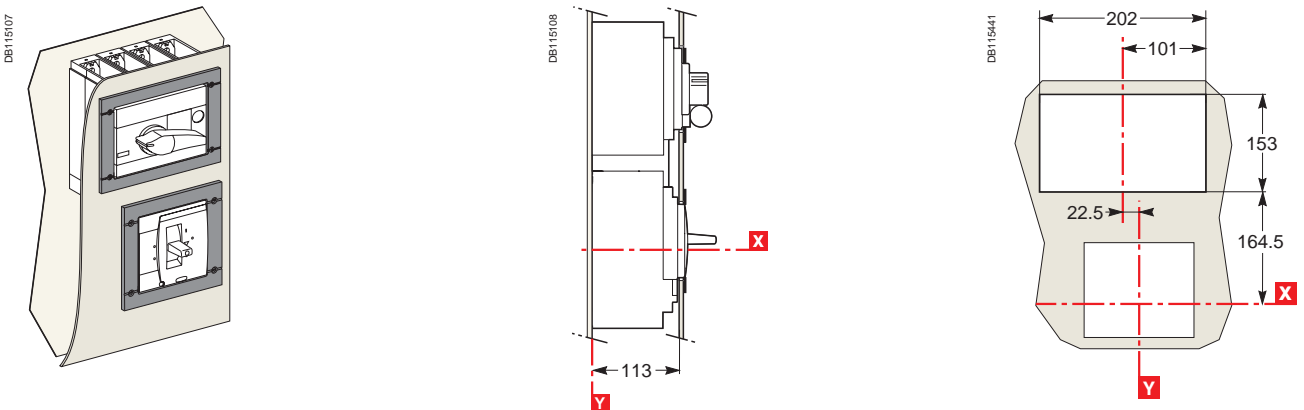


Compact NSX400/630 with Interpact INV400 to 630 Visu function

Bare sheet metal



With IP40 front-panel escutcheon



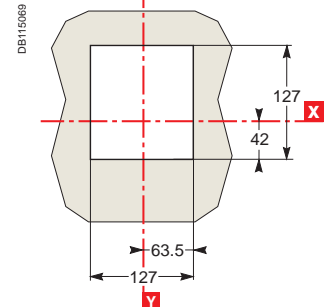
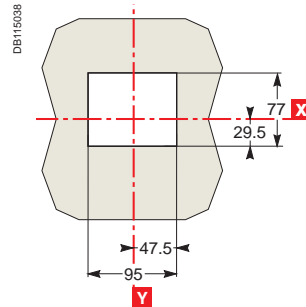
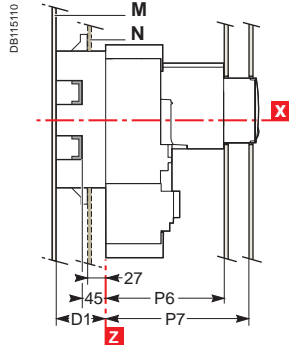
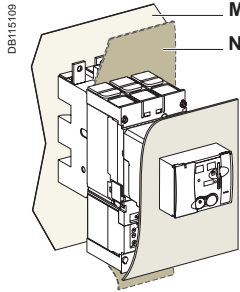
Motor mechanism module for Compact and Vigicompact NSX100 to 630

Bare sheet metal

NSX100 to 250

NSX400/630

Fixed, plug-in or withdrawable circuit breaker

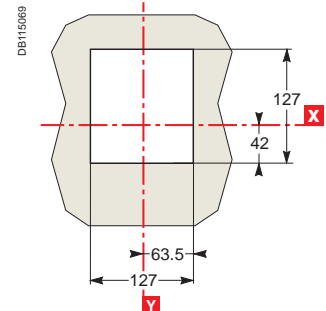
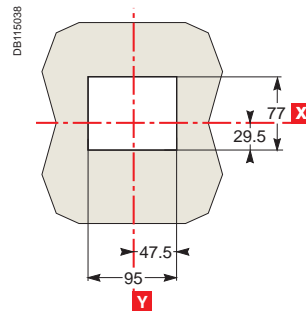
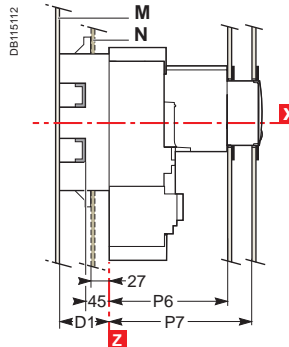
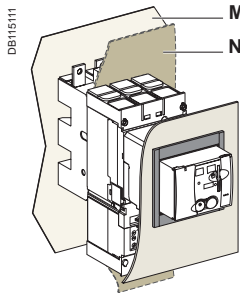


With IP30 front-panel escutcheon

NSX100 to 250

NSX400/630

Fixed, plug-in or withdrawable circuit breaker

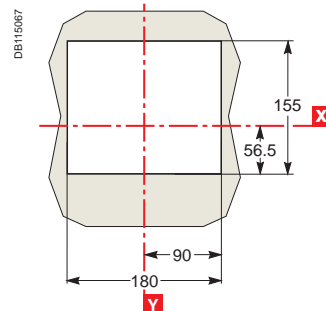
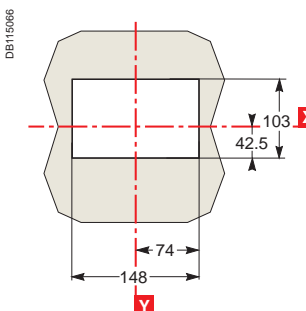
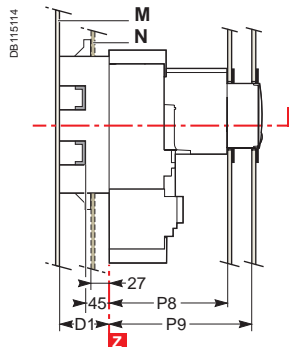
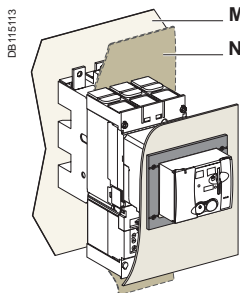


With IP40 front-panel escutcheon

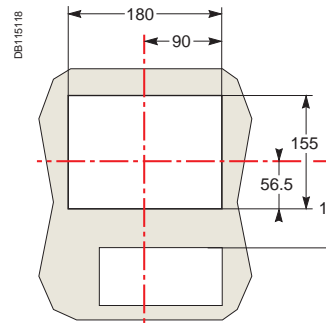
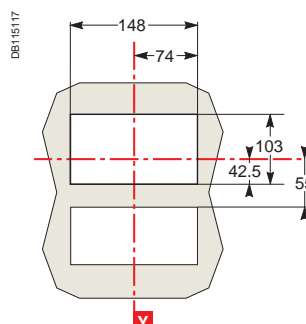
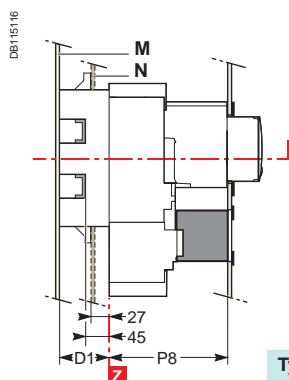
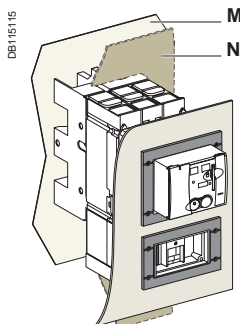
NSX100 to 250

NSX400/630

Fixed, plug-in or withdrawable circuit breaker without access to Vigi module



Fixed or plug-in circuit breaker with access to Vigi module



Type	D1	P6 ⁽¹⁾	P7 ⁽²⁾	P8 ⁽¹⁾	P9 ⁽²⁾	
NSX100/160/250	75	145	177	146	178	(1) Plug-in version.
NSX400/630	100	217	249	218	250	(2) Withdrawable version.

Front-panel cutouts

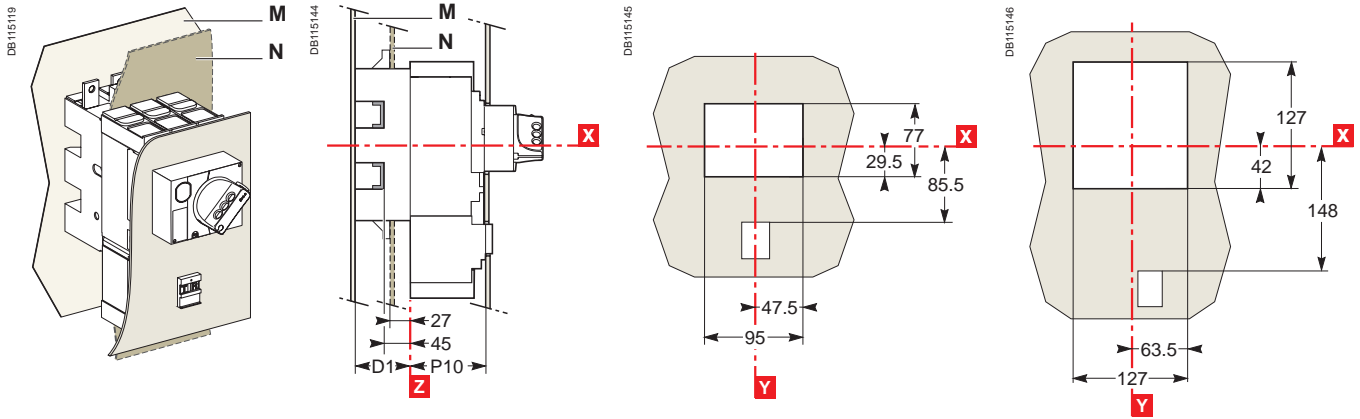
Direct rotary handle for Compact and Vigicompact NSX100 to 630

Fixed or plug-in circuit breakers

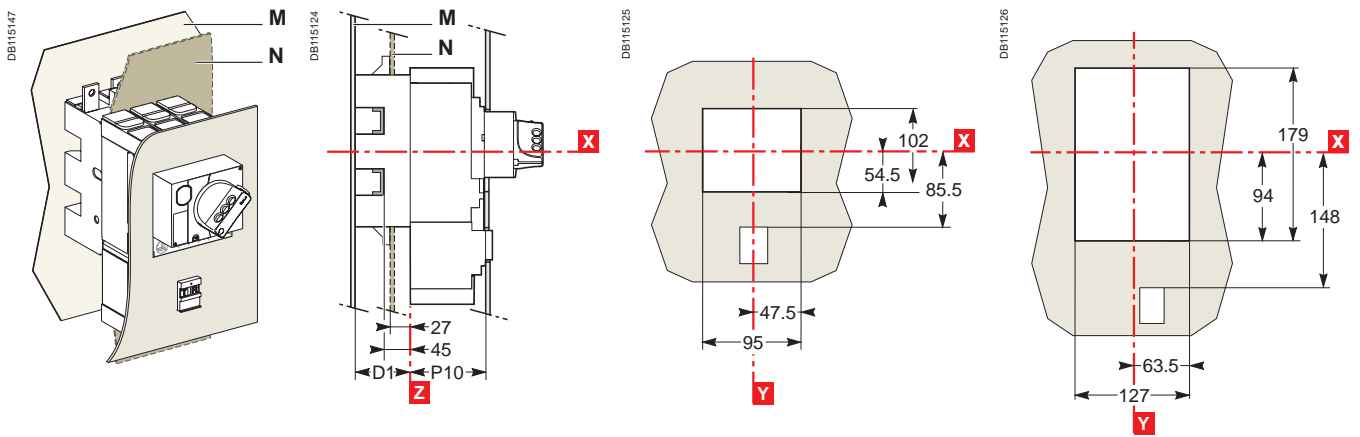
NSX100 to 250

NSX400/630

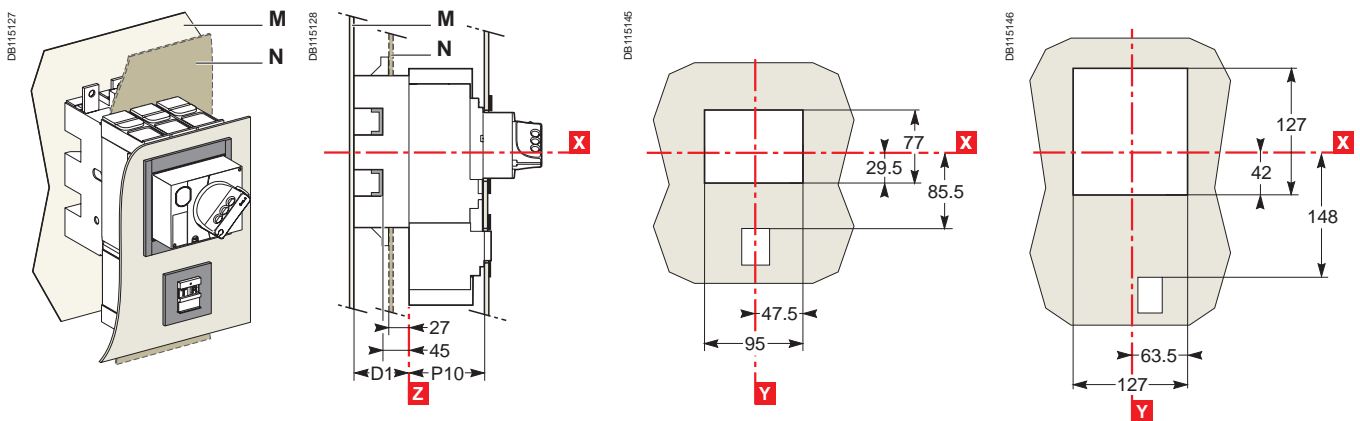
Bare sheet metal



Bare sheet metal with access to the trip unit



With IP30 front-panel escutcheon

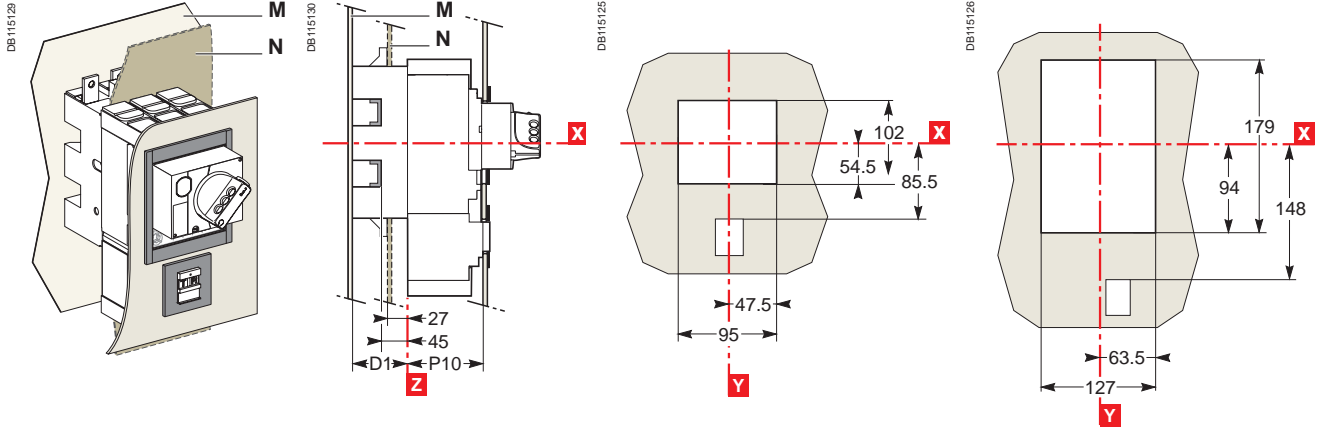


Fixed or plug-in circuit breakers (cont.)

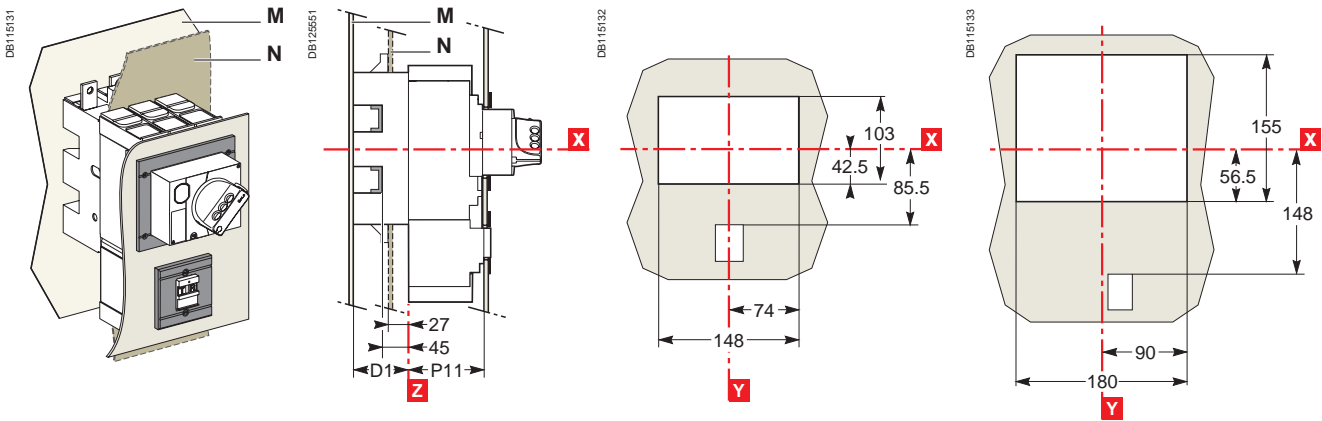
NSX100 to 250

NSX400/630

With IP30 front-panel escutcheon with access to the trip unit



With IP40 front-panel escutcheon

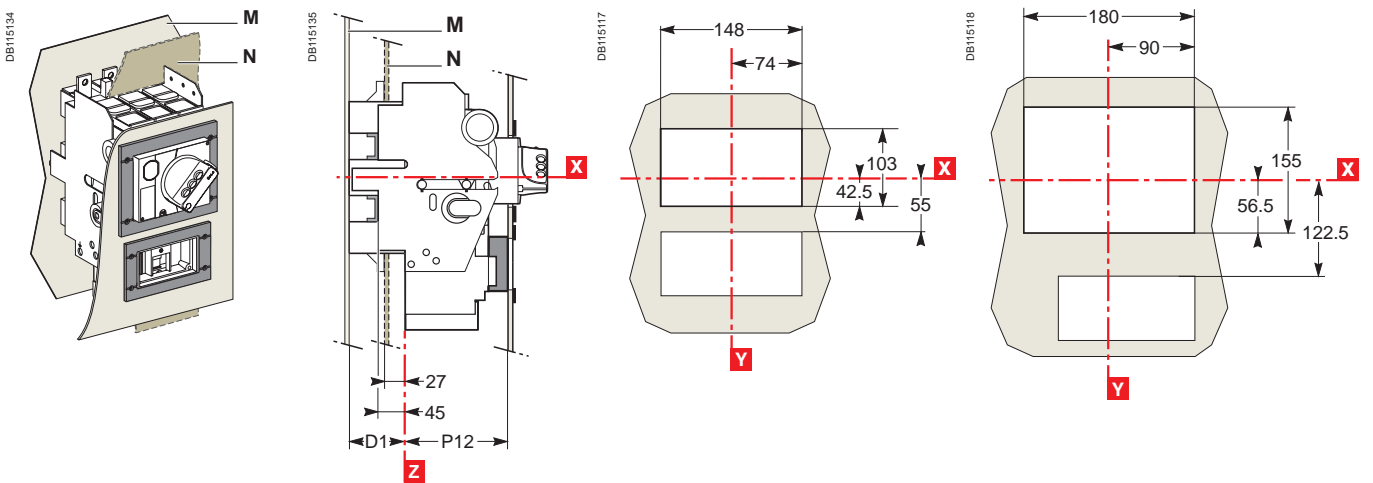


Fixed or withdrawable circuit breakers

NSX100 to 250

NSX400/630

With IP40 front-panel escutcheon



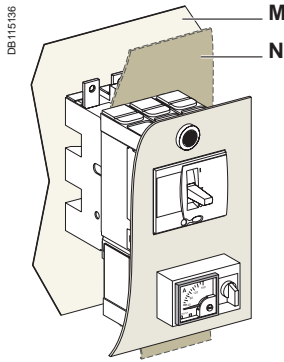
Type	D1	P10	P11	P12
NSX100/160/250	75	89	90	123
NSX400/630	100	112	113	147

Front-panel cutouts

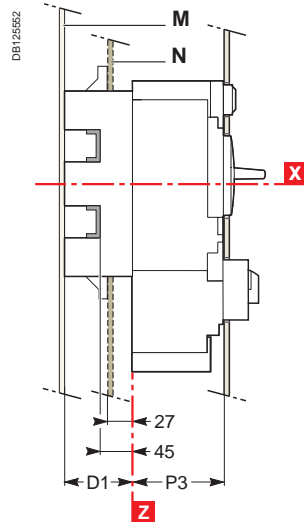
Indication and measurement modules for Compact NSX100 to 630

Fixed or plug-in circuit breakers with ammeter module and voltage-presence indicator

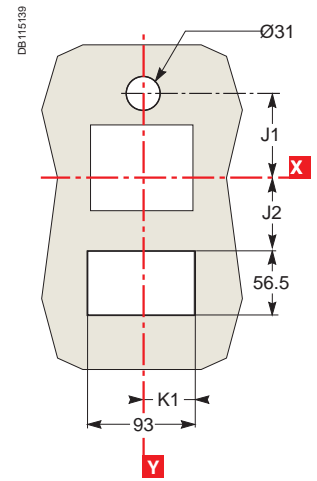
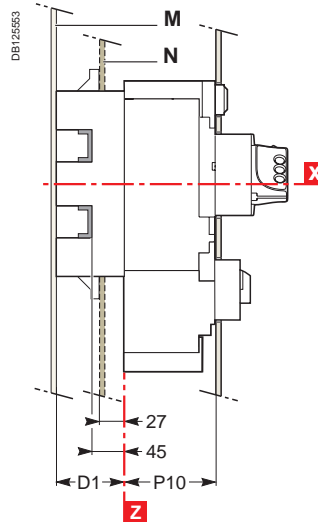
Bare sheet metal



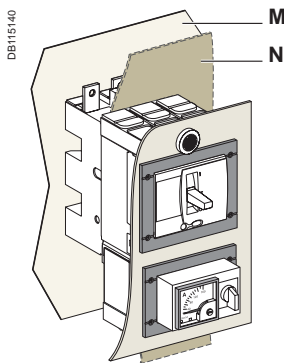
With toggle



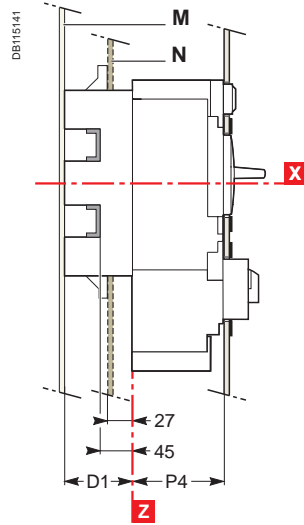
Rotary handle



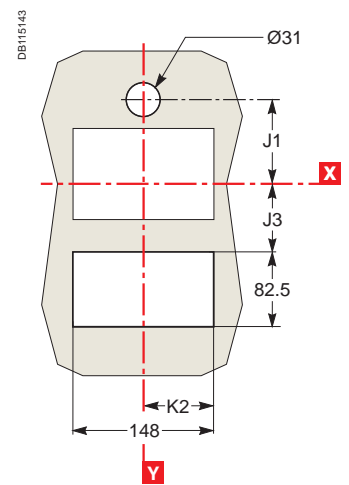
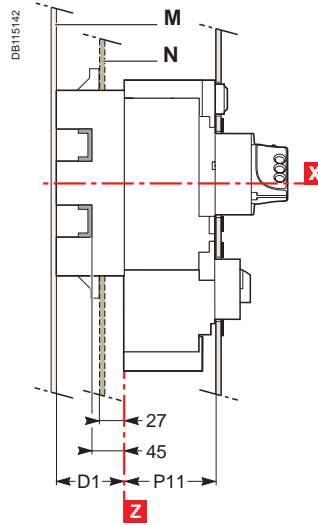
With IP40 front-panel escutcheon



With toggle



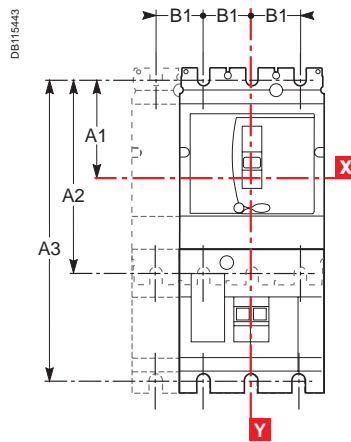
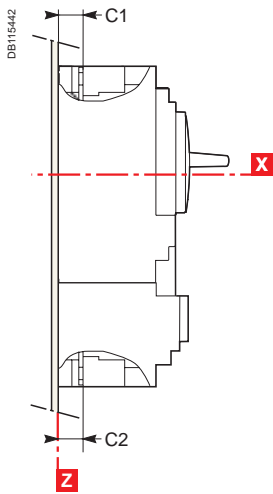
Rotary handle



Type	D1	J1	J2	J3	K1	K2	P3	P4	P10	P11
NSX100/160/250	75	78.5	67.5	55	46.5	74	88	89	89	90
NSX400/630	100	122	129	122.5	64.5	90	112	113	112	113



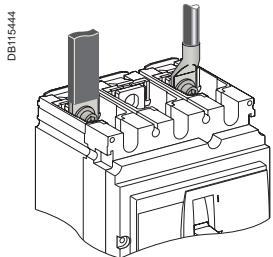
Connection locations



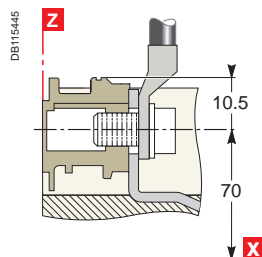
Type	A1	A2	B1	C1	C2
NSX100/160	70	140	35	19.5	19.5
NSX250	70	140	35	21.5	19.5
NSX400/630	113.5	227	45	26	26

Type	A1	A3	B1	C1	C2
NSX100/160 + Vigì	70	215	35	19.5	21.5
NSX250 + Vigì	70	215	35	21.5	21.5
NSX400/630 + Vigì	113.5	327	45	26	26

Front connection without accessories

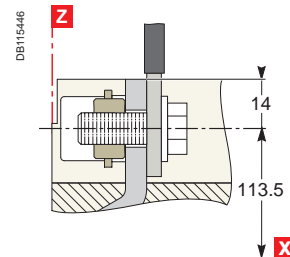


NSX100 to 250



Cables with lugs/bars

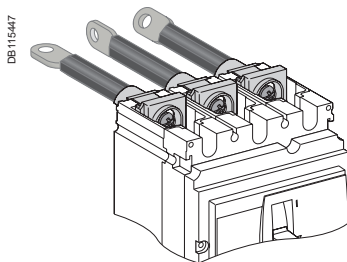
NSX400/630



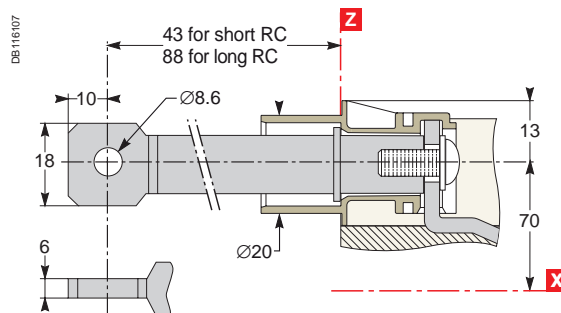
Bars/cables with lugs

Connection with accessories

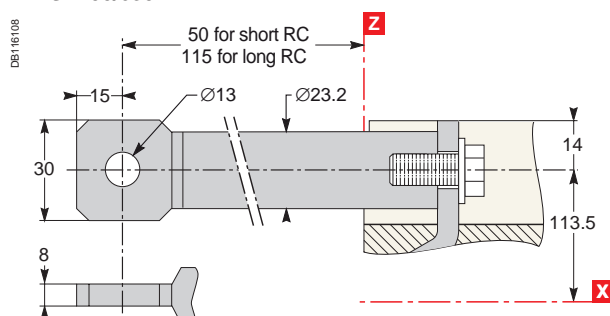
Long and short rear connectors



NSX100 to 250

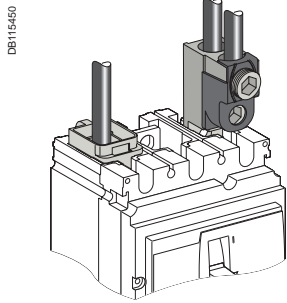


NSX400/630



Connection with accessories (cont.)

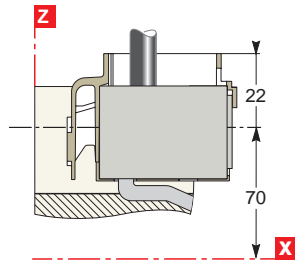
Bare-cable connectors



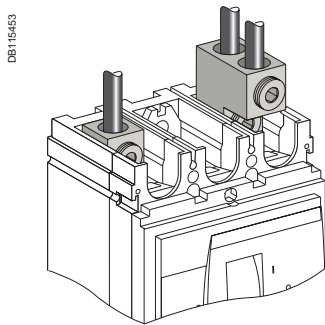
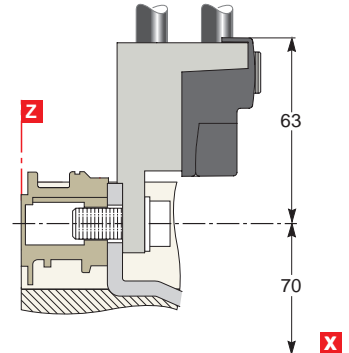
DB115460

NSX100 to 250

DB115461



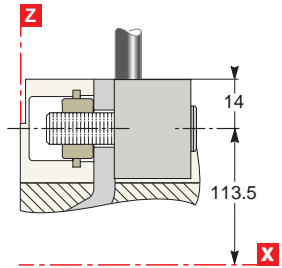
DB115462



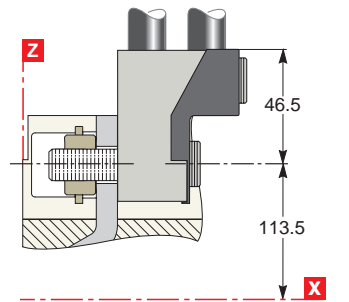
DB115463

NSX400/630

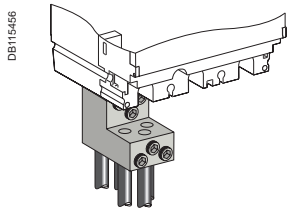
DB115464



DB115465

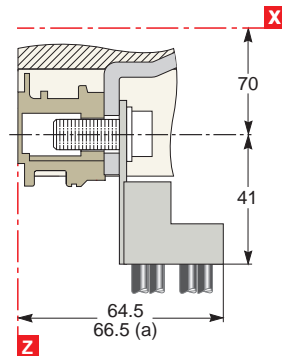


Distribution connectors (for NSX100 to 250 only)



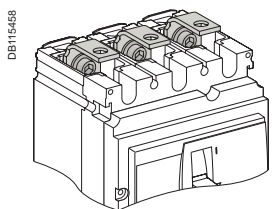
DB115466

DB115467



(a) *Vigi* module or *NSX250*.

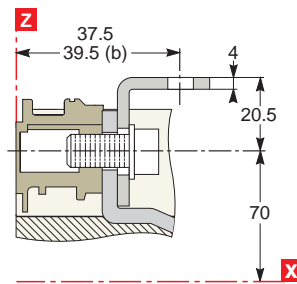
Right-angle terminal extensions (upstream only)



DB115468

NSX100 to 250

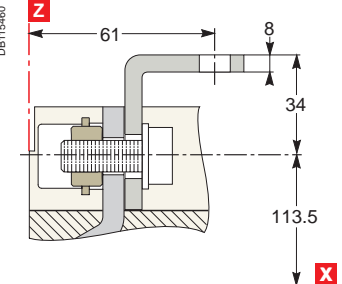
DB115469



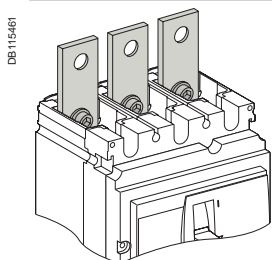
(b) *NSX250*.

NSX400/630

DB115460

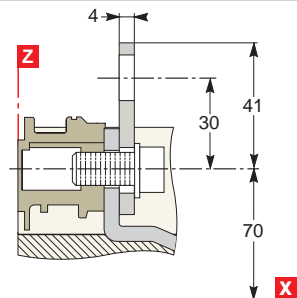


Straight terminal extensions (for NSX100 to 250 only)



DB115461

DB115462



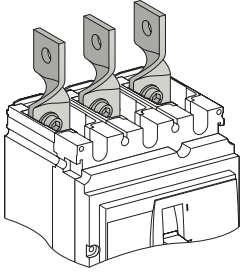
Connection with accessories (cont.)

Edgewise terminal extensions

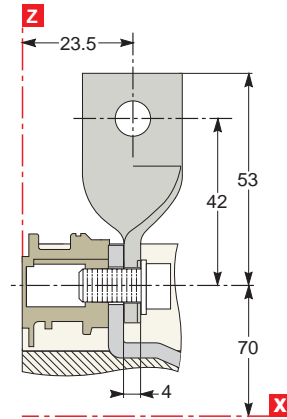
NSX100 to 250

NSX400/630

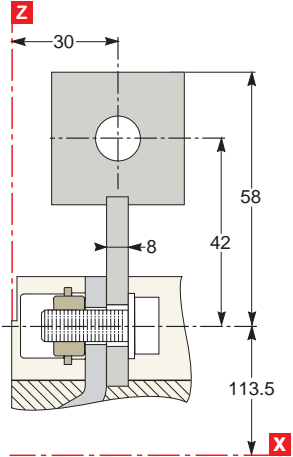
DB115463



DB115464



DB115465

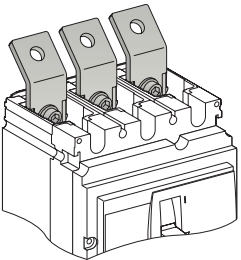


45° terminal extensions

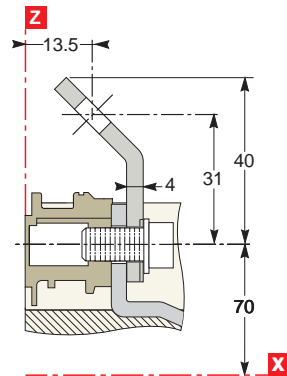
NSX100 to 250

NSX400/630

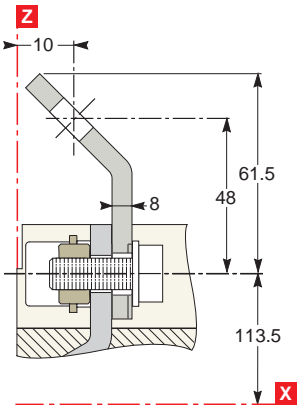
DB115466



DB115467



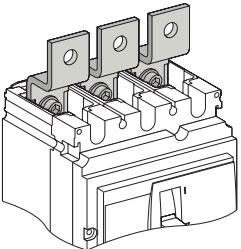
DB115468



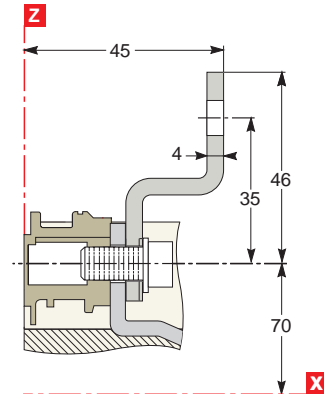
Double-L terminal extensions

NSX100 to 250

DB115469



DB115470



Connection with accessories (cont.)

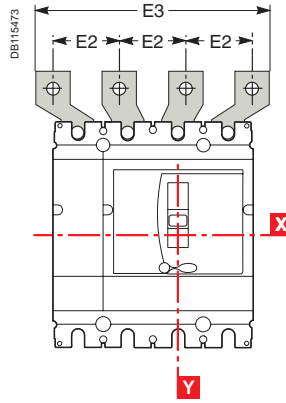
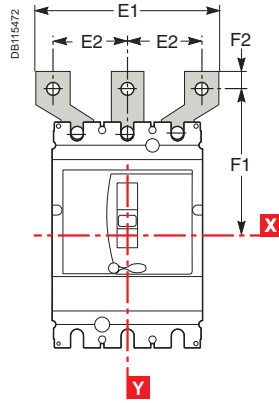
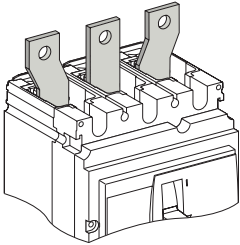
Spreaders

3P

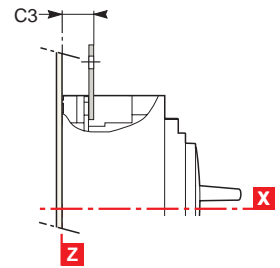
4P

NSX100 to 250

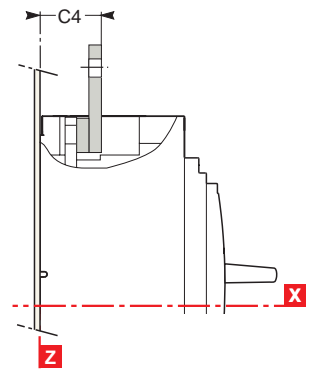
DB115471



DB115474



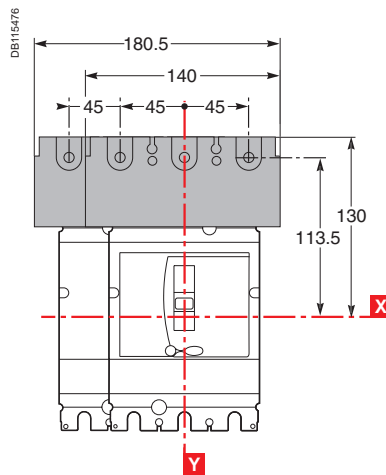
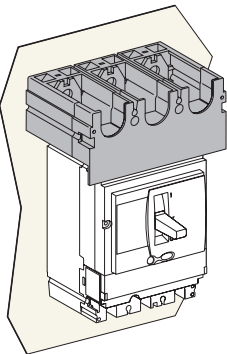
NSX400/630



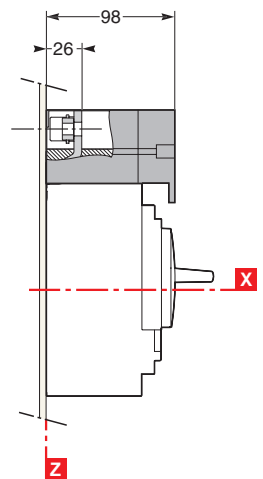
Type	C3	C4	E1	E2	E3	F1	F2
NSX100/160	23.5	-	114	45	159	100	11
NSX250	25.5	-	114	45	159	100	11
NSX400/630	-	44	135	52.5	187.5	152.5	15
			170	70	240	166	15

One-piece spreader (for NSX100 to 250 only)

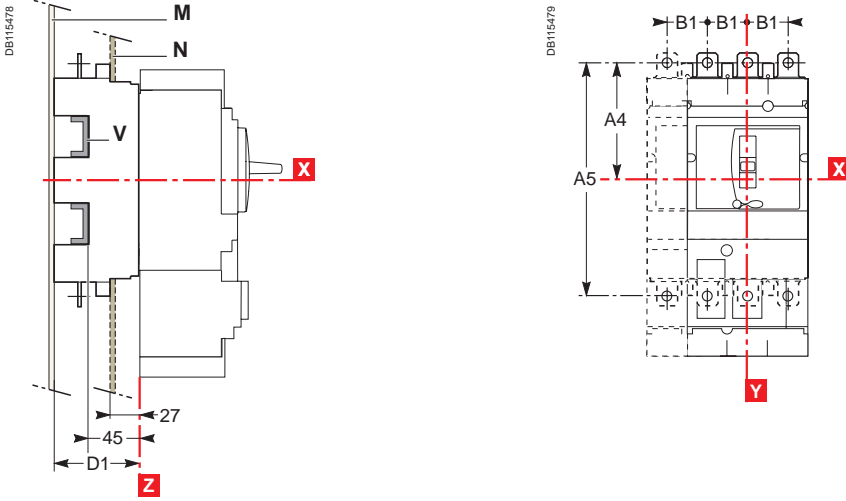
DB115475



DB115477



Connection locations

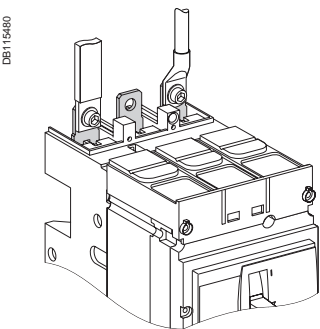


Type	A4	A5	B1	D1
NSX100 to 250	100	200	35	75
NSX400/630	156.5	313	45	100

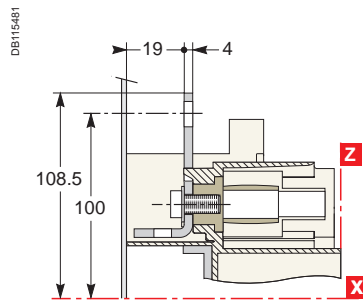
Note:
 ■ for mounting on a backplate, the insulating screen supplied with the plug-in base must be installed.
 ■ for withdrawable versions, terminal shields are recommended.

Connection without accessories

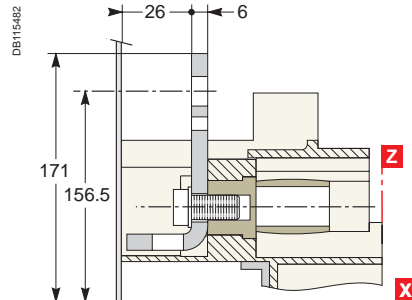
Front connection: mounting on backplate (M) or rails (V)



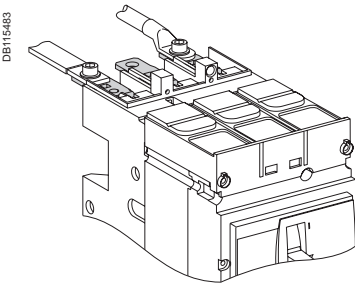
NSX100 to 250



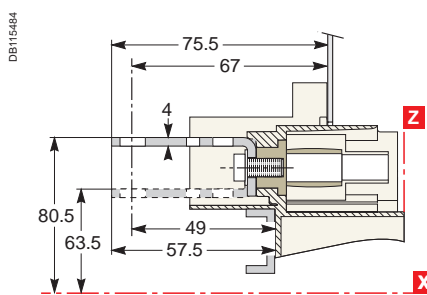
NSX400/630



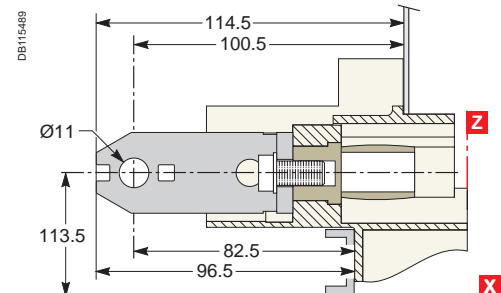
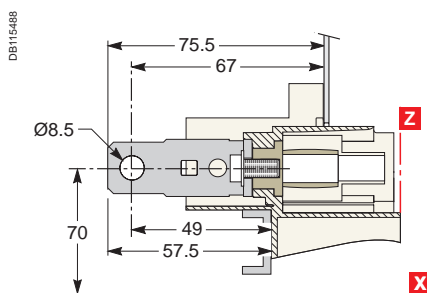
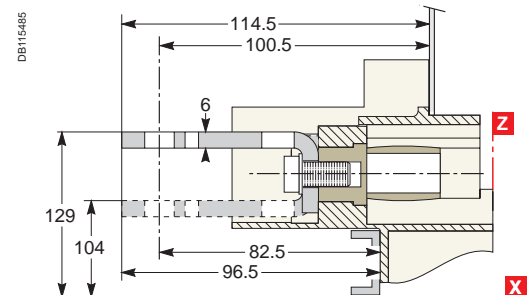
Rear connection: mounting through front panel (N) or on rails (V)



NSX100 to 250

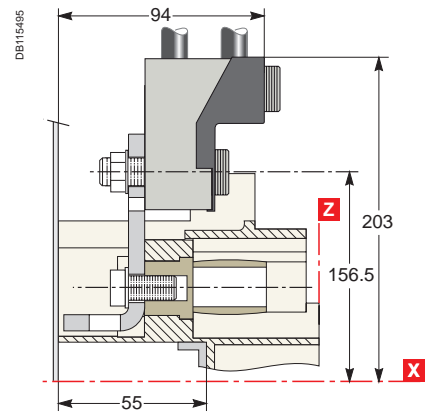
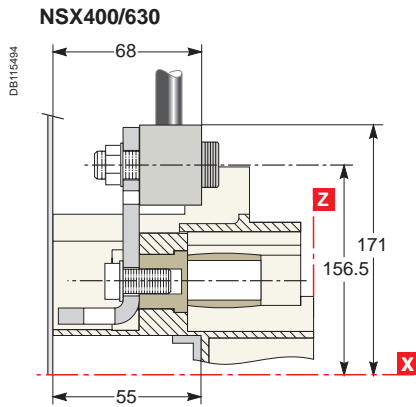
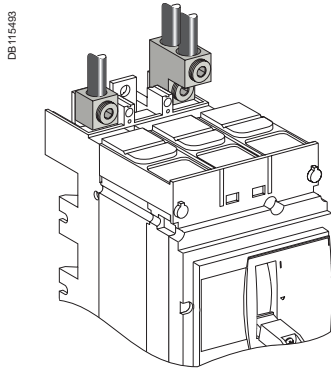
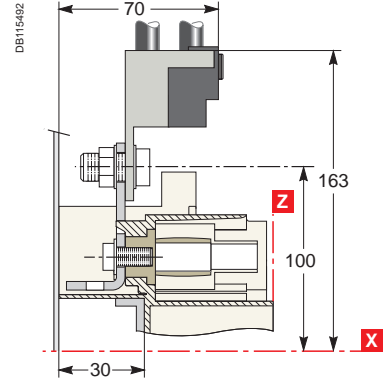
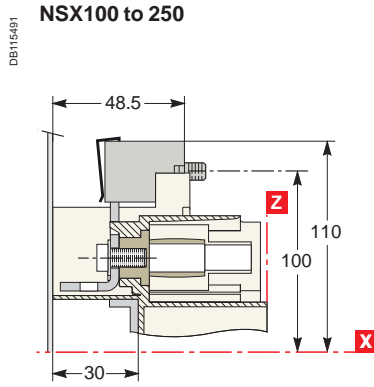
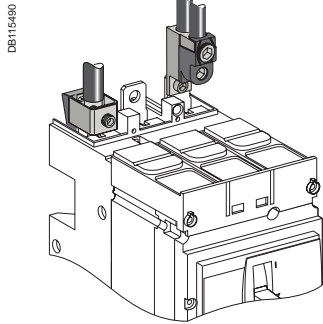


NSX400/630

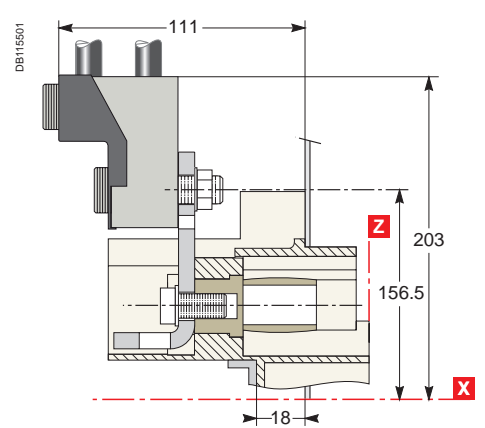
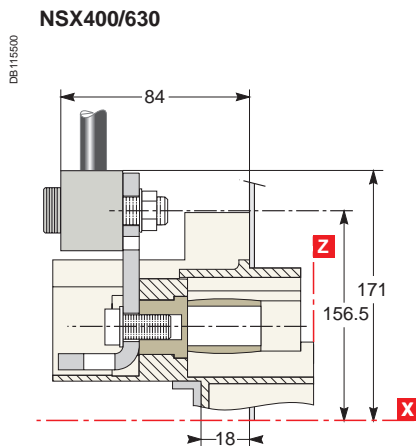
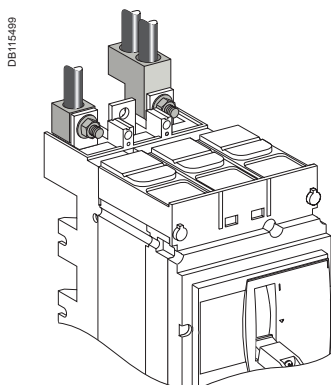
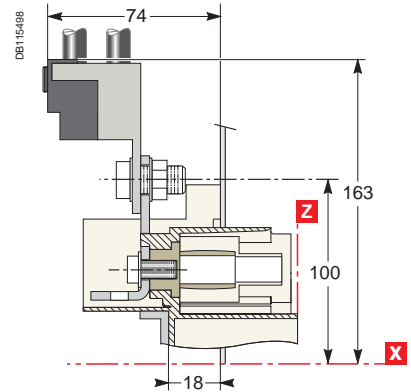
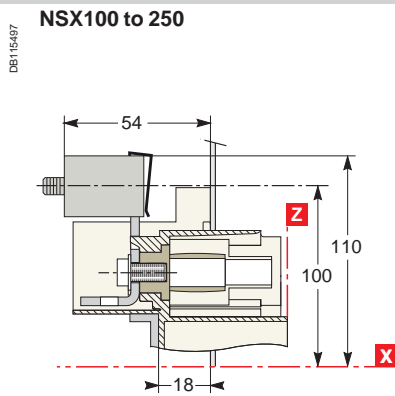
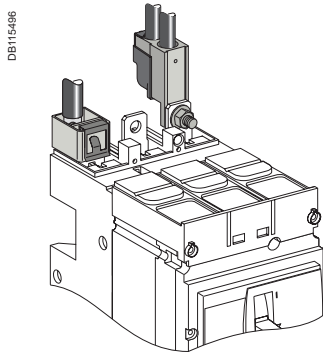


Connection with accessories

Bare-cable connectors: mounting on backplate (M) or rails (V)



Bare-cable connectors: mounting through front panel (N) or on rails (V)



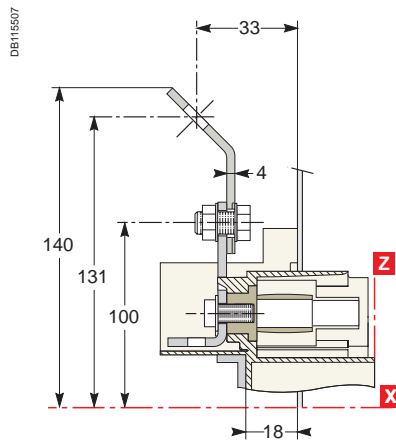
Power connections

Compact and Vigicompact NSX100 to 630 plug-in and withdrawable versions

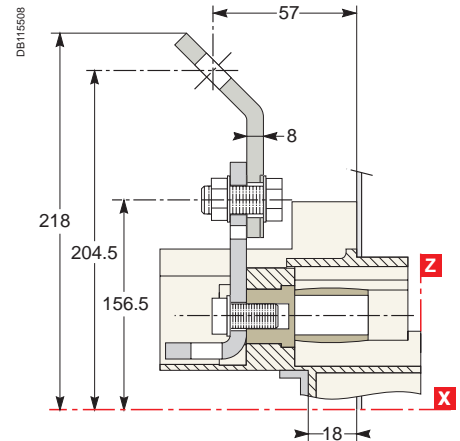
Connection with accessories (cont.)

45° extensions: mounting through front panel (N) or on rails (V)

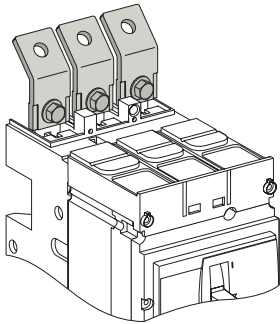
NSX100 to 250



NSX400/630

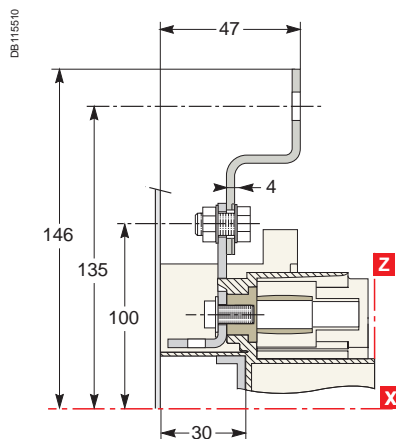


DB115506

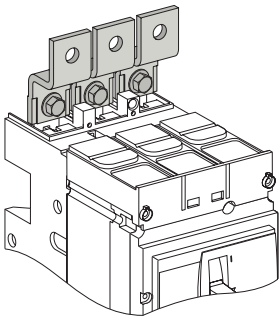


Double-L extensions: mounting on backplate (M) or rails (V)

NSX100 to 250

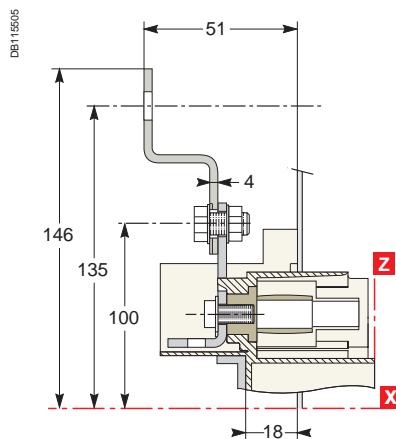


DB115509



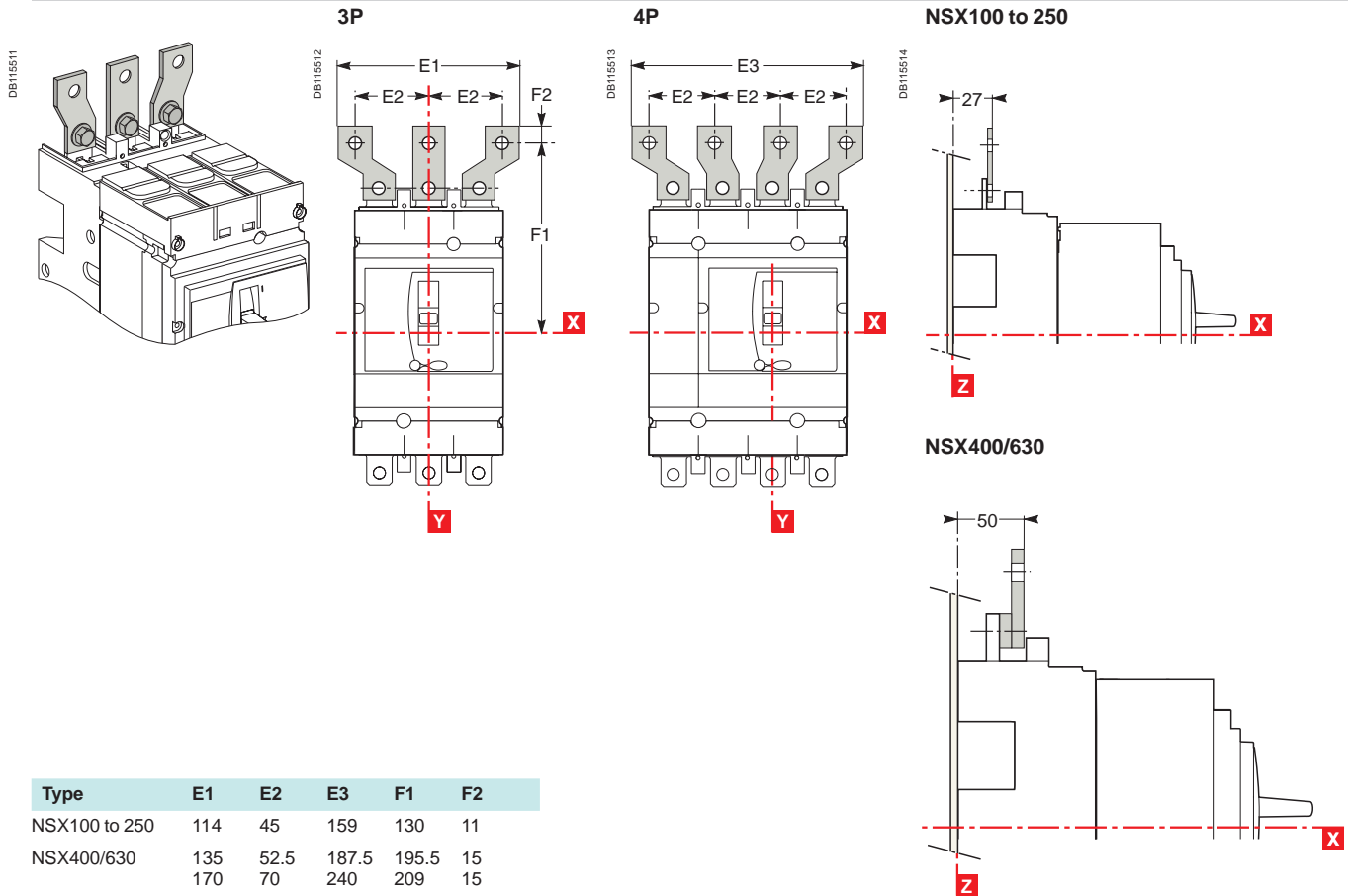
Double-L extensions: mounting through front panel (N) or on rails (V)

NSX100 to 250



Connection with accessories (cont.)

Spreaders: mounting on backplate (M) or rails (V)

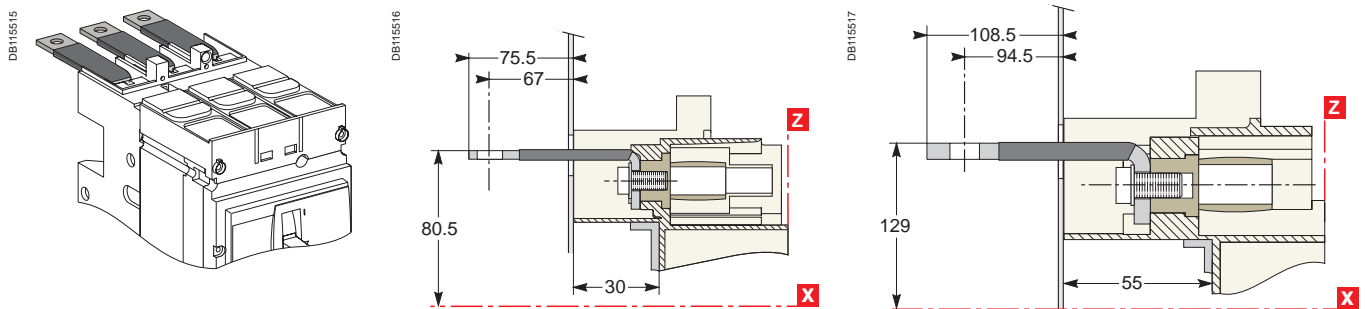


Long insulated rear connectors: mounting on backplate (M) or rails (V)

Exterior-mounted rear connectors

NSX100 to 250

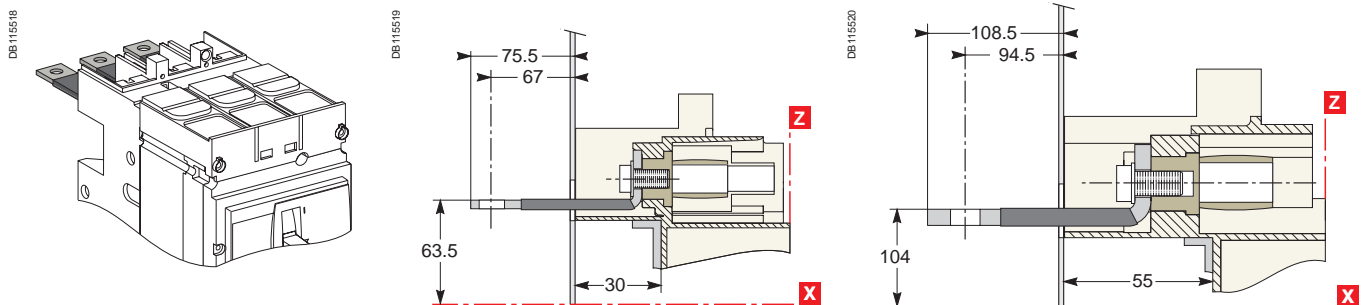
NSX400/630



Interior-mounted rear connectors

NSX100 to 250

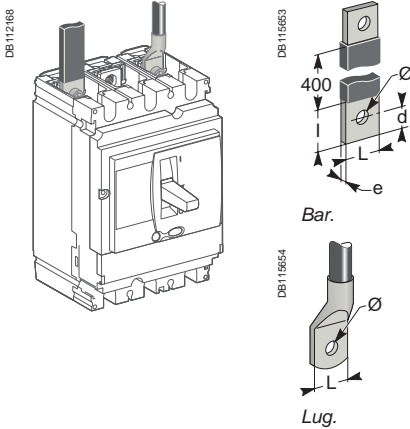
NSX400/630



Long, insulated connectors are mandatory.

Power connections

Connection of insulated bars or cables with lugs to Compact and Vigicompact NSX100 to 630



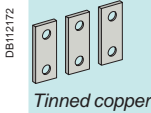
Direct connection to NSX100 to 630

Dimensions		NSX100	NSX160/250	NSX400/630
Bars	L (mm)	≤ 25	≤ 25	≤ 32
	l (mm)	d + 10	d + 10	d + 15
	d (mm)	≤ 10	≤ 10	≤ 15
	e (mm)	≤ 6	≤ 6	3 ≤ e ≤ 10
	Ø (mm)	6.5	8.5	10.5
Lugs	L (mm)	≤ 25	≤ 25	≤ 32
	Ø (mm)	6.5	8.5	10.5
Torque (Nm) ⁽¹⁾		10	15	50
Torque (Nm) ⁽²⁾		5/5	5/5	20/11
Torque (Nm) ⁽³⁾		8	8	20

- (1) Tightening torque on the circuit breaker for lugs or bars.
- (2) Tightening torque on fixed devices for rear connectors/tightening torque on plug-in or withdrawable devices for power connectors.
- (3) Tightening torque on the plug-in base for terminal extensions.

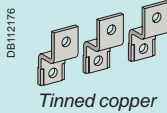
Accessories for NSX100 to 250

Straight terminal extensions



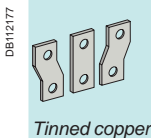
Tinned copper

Double-L terminal extensions



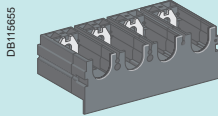
Tinned copper

Spreaders: separate parts



Tinned copper

one-piece spreader

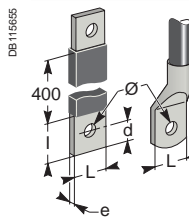


For U > 600 V, the mandatory insulation kit is not compatible with spreaders made up of separate parts. The one-piece spreader must be used.

Connection with accessories to NSX100 to 250 (IEC 228)

Pole pitch	
Without spreaders	35 mm
With spreaders	45 mm

Dimensions	With spreaders or terminal extensions	
	NSX100	NSX160/250



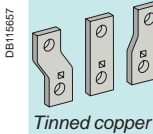
Bars	L (mm)	≤ 25	≤ 25
	l (mm)	20 ≤ l ≤ 25	20 ≤ l ≤ 25
	d (mm)	≤ 10	≤ 10
	e (mm)	≤ 6	≤ 6
	Ø (mm)	6.5	8.5
Lugs	L (mm)	≤ 25	≤ 25
	Ø (mm)	6.5	8.5
Torque (Nm) ⁽¹⁾		10	15
Torque (Nm) ⁽²⁾		5	5

- (1) Tightening torque on the circuit breaker for spreaders or terminal extensions.
- (2) Tightening torque on the plug-in base for spreaders or terminal extensions.

Spreaders and straight, right-angle, 45°, double-L and edgewise terminal extensions are supplied with flexible interphase barriers.

Accessories for NSX400 and 630

Spreaders made up of separate parts for 52.5 and 70 mm pitch



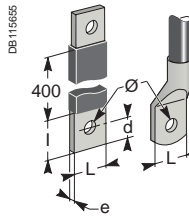
Tinned copper

For U > 600 V, use of the 52.5 mm pitch spreaders requires a specific insulation kit. The 70 mm pitch spreaders may not be used.

Connection with accessories to NSX400 and 630 (IEC 228)

Pole pitch	
Without spreaders	45 mm
With spreaders	52.5 or 70 mm

Dimensions	With spreaders		With terminal extensions	
	NSX400	NSX630	NSX400	NSX630



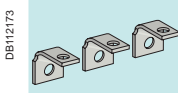
Bars	L (mm)	≤ 40	≤ 32
	l (mm)	d + 15	30 ≤ l ≤ 34
	d (mm)	≤ 20	≤ 15
	e (mm)	3 ≤ e ≤ 10	3 ≤ e ≤ 10
	Ø (mm)	12.5	10.5
Lugs	L (mm)	≤ 40	≤ 32
	Ø (mm)	12.5	10.5
Torque (Nm) ⁽¹⁾		50	50
Torque (Nm) ⁽²⁾		20	20

- (1) Tightening torque on the circuit breaker for spreaders or terminal extensions.
- (2) Tightening torque on the plug-in base for spreaders or terminal extensions.

Spreaders and right-angle, 45° and edgewise terminal extensions are supplied with flexible interphase barriers.

Accessories for NSX100 to 630

Right-angle terminal extensions



Tinned copper
To be mounted on upstream side.

Edgewise terminal extensions

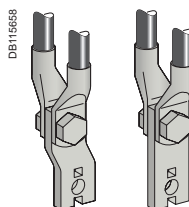


Tinned copper

45° terminal extensions



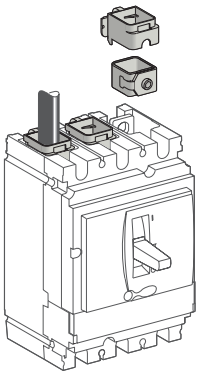
Tinned copper



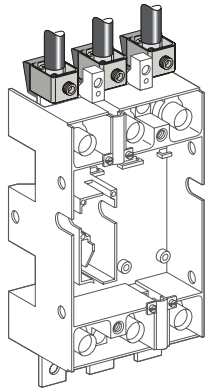
Mounting detail: 2 cables with lugs.

Connection of bare cables to Compact and Vigicompact NSX100 to 630

DB1125659



DB115660



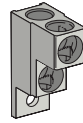
Connection for NSX100 to 250

DB112315



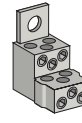
1-cable connector

DB112317



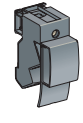
2-cable connector

DB111327



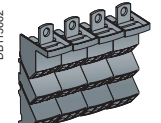
Distribution connector

DB115661

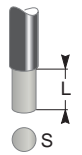


Polybloc distribution block

DB115662



DB115663



	Steel ≤ 160 A	Aluminium ≤ 250 A		
1-cable connector				
L (mm)	25	25		
S (mm ²) Cu / Al	1.5 to 95 ⁽¹⁾	25 to 50	70 to 95	120 to 185 150 max. flex.
Torque (Nm)	12	20	26	26
2-cable connector				
L (mm)	25 or 50			
S (mm ²) Cu / Al	2 x 50 to 2 x 120			
Torque (Nm)	22			
6-cable distribution connector (copper or aluminium)				
L (mm)	15 or 30			
S (mm ²) Cu / Al	1.5 to 6 ⁽¹⁾	8 to 35		
Torque (Nm)	4	6		
Polybloc distribution block (6 or 9 cables)				
L (mm)	12	16		
S (mm ²) Cu / Al	6 x 4 to 10	3 x 6 to 16		

⁽¹⁾ For flexible cables from 1.5 to 4 mm², connection with crimped or self-crimping ferrules.

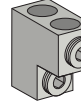
Connection to NSX400 and 630

DB112316



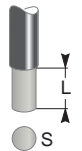
1-cable connector

DB111326



2-cable connector

DB115663



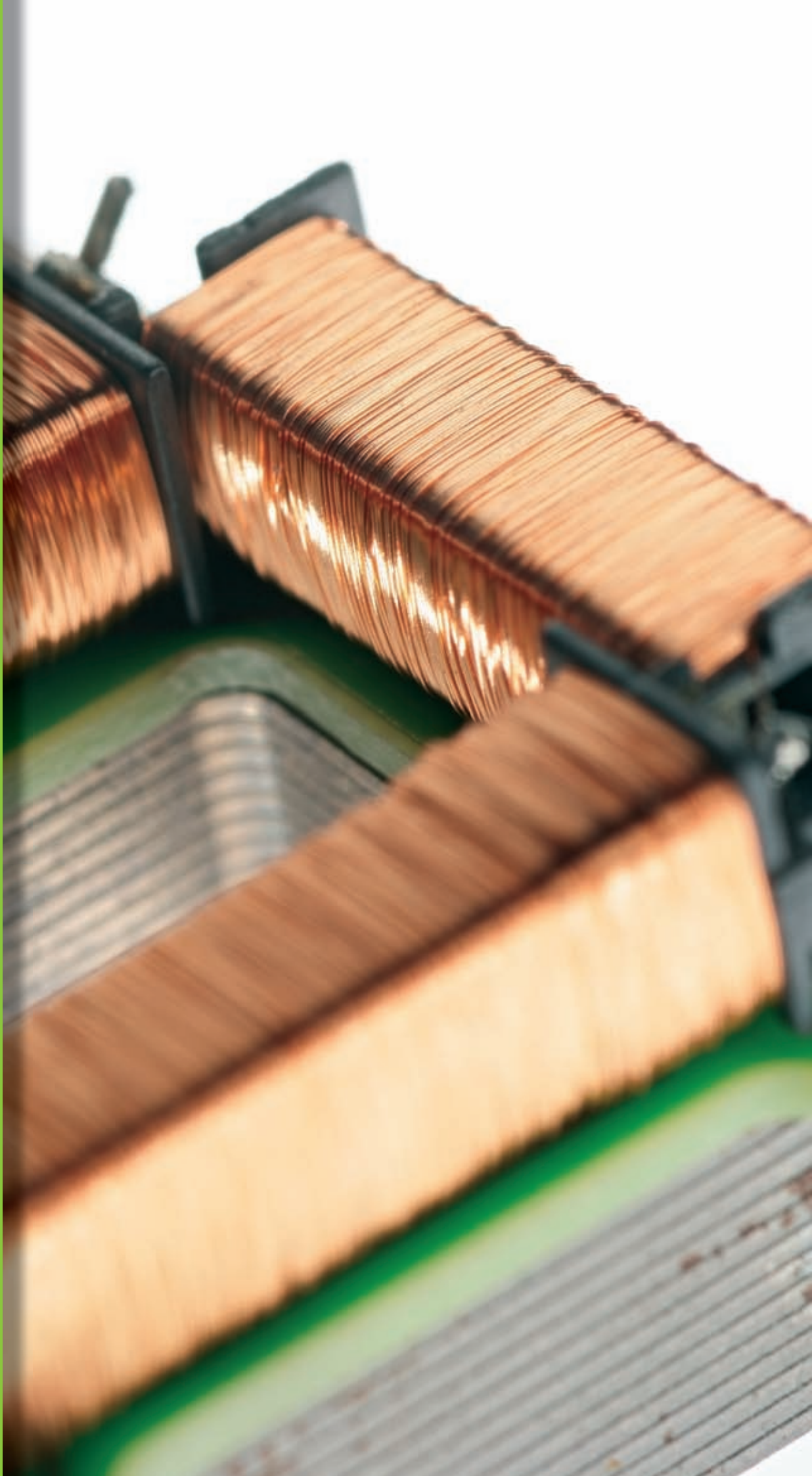
	1-cable connector	2-cable connector
L (mm)	30	30 or 60
S (mm ²) Cu / Al	35 to 300 rigid 240 max. flex.	2 x 35 to 2 x 240 rigid 240 max. flex.
Torque (Nm)	31	31

Conductor materials and electrodynamic stresses

Compact NSX circuit breakers can be connected indifferently with bare-copper, tinned-copper and tinned-aluminium conductors (flexible or rigid bars, cables). In the event of a short-circuit, thermal and electrodynamic stresses will be exerted on the conductors. They must therefore be correctly sized and held in place by supports.

Electrical connection points on switchgear devices (switch-disconnectors, contactors, circuit breakers, etc.) should not be used for mechanical support. Any partition between upstream and downstream connections of the device must be made of non-magnetic material.

Accumulated experience

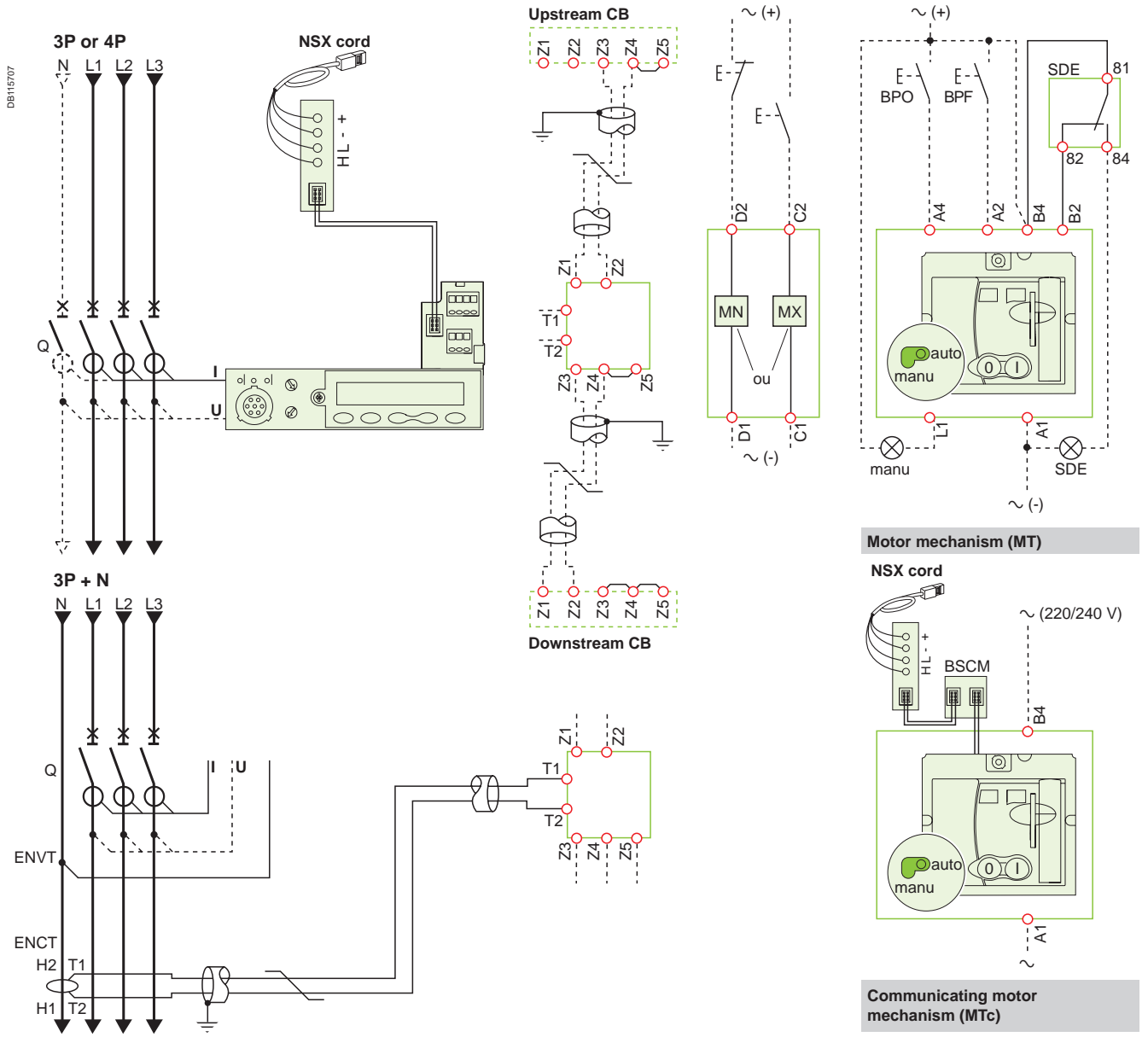


Wiring diagrams

Contents

<i>Functions and characteristics</i>	A-1
<i>Installation recommendations</i>	B-1
<i>Dimensions and connection</i>	C-1
Compact NSX100 to 630	
Fixed circuit breakers	D-2
Plug-in / withdrawable circuit breakers	D-4
Motor mechanism	D-6
SDx module with Micrologic	D-8
SDTAM module with Micrologic M	D-9
Modbus module	D-10
<i>Additional characteristics</i>	E-1
<i>Catalogue numbers</i>	F-1
<i>Glossary</i>	G-1

Power **Micrologic** **Remote operation**



Micrologic A or E

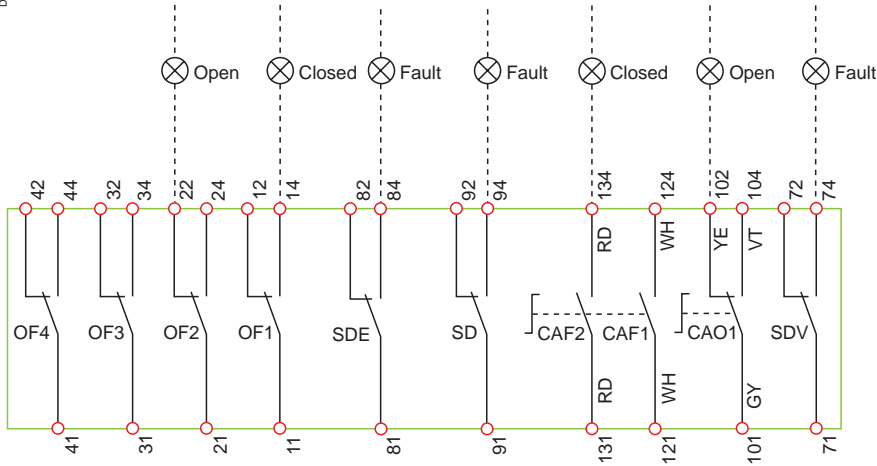
- A/E Communication**
H(WH), L(BL): data
- (BK), + (RD): 24 V DC power supply
- A/E ZSI (Zone Selective Interlocking)**
Z1: ZSI OUT SOURCE
Z2: ZSI OUT
Z3: ZSI IN SOURCE
Z4: ZSI IN ST (short time)
Z5: ZSI IN GF (ground fault)
Note: Z3, Z4, Z5 for NSX400/630 only.
- A/E ENCT: external neutral current transformer:**
- shielded cable with 1 twisted pair (T1, T2)
- shielding earthed at one end only (CT end).
Connection L = 30 cm max.
- maximum length of 10 metres
- cable size 0.4 to 1.5 mm²
- recommended cable: Belden 8441 or equivalent.
- E ENVT: external neutral voltage tap for connection to the neutral via a 3P circuit breaker.**

Remote operation

- MN:** undervoltage release
- or**
- MX:** shunt release
- Motor mechanism (MT)**
- A4:** opening order
- A2:** closing order
- B4, A1:** power supply to motor mechanism
- L1:** manual position (manu)
- B2:** SDE interlocking (mandatory for correct operation)
- BPO:** opening pushbutton
- BPF:** closing pushbutton
- Communicating motor mechanism (MTc)**
- B4, A1:** motor mechanism power supply
- BSCM:** breaker status and control module

Indication contacts

DB1157/08



The diagram is shown with circuits de-energised, all devices open, connected and charged and relays in normal position.

Terminals shown in red ○ must be connected by the customer.

Indication contacts

- OF2 / OF1:** device ON/OFF indication contacts
- OF4 / OF3:** device ON/OFF indication contacts (NSX400/630)
- SDE:** fault-trip indication contact (short-circuit, overload, ground fault, earth leakage)
- SD:** trip-indication contact
- CAF2/CAF1:** early-make contact (rotary handle only)
- CAO1:** early-break contact (rotary handle only)
- SDV:** earth leakage fault trip indication contact (add-on Vigi module)

Colour code for auxiliary wiring

- | | |
|-------------------|-------------------|
| RD: red | VT: violet |
| WH: white | GY: grey |
| YE: yellow | OR: orange |
| BK: black | BL: blue |
| GN: green | |

Compact NSX 100 to 630

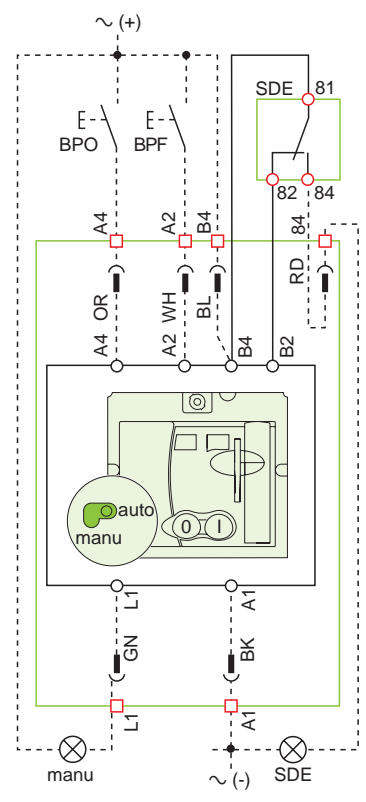
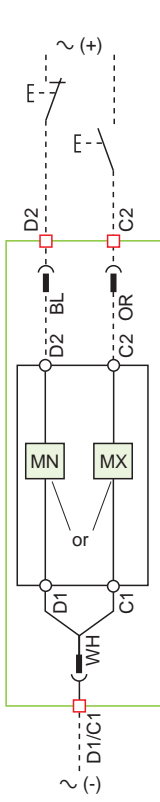
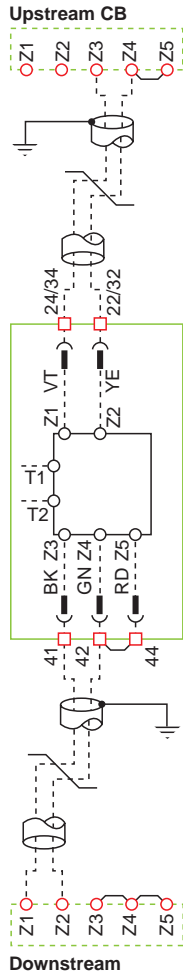
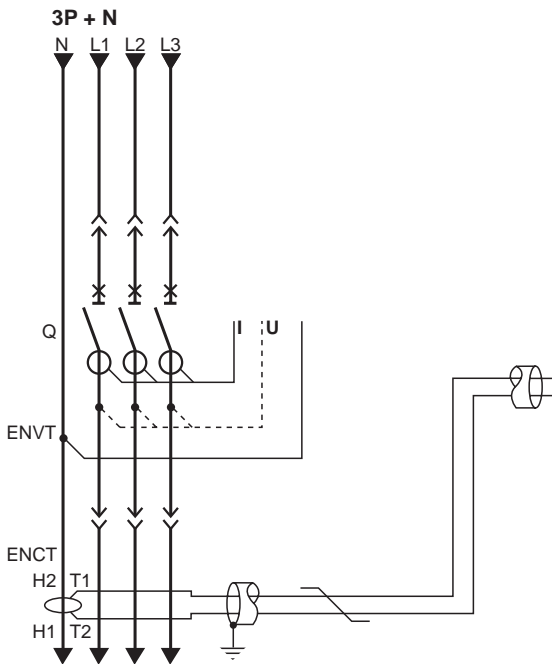
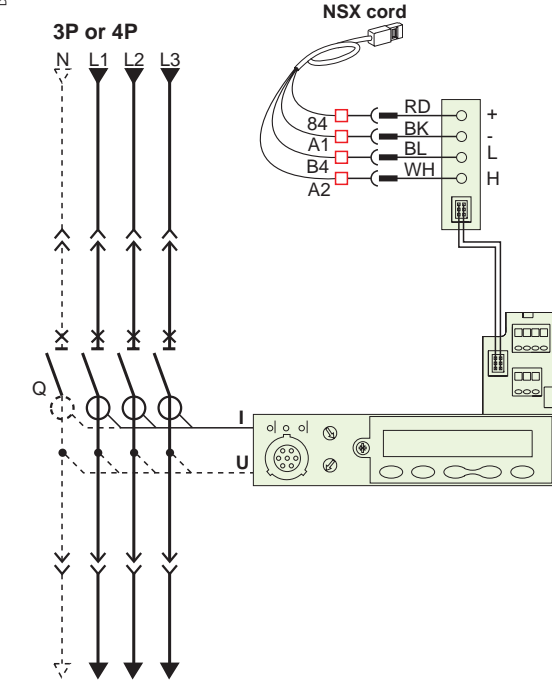
Plug-in / withdrawable circuit breakers

Power

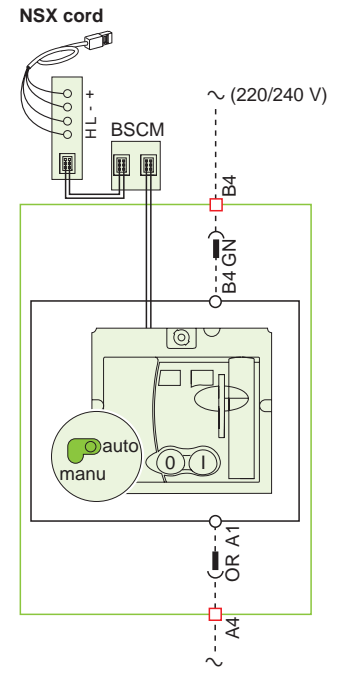
Micrologic

Remote operation

DB115709



Motor mechanism (MT)

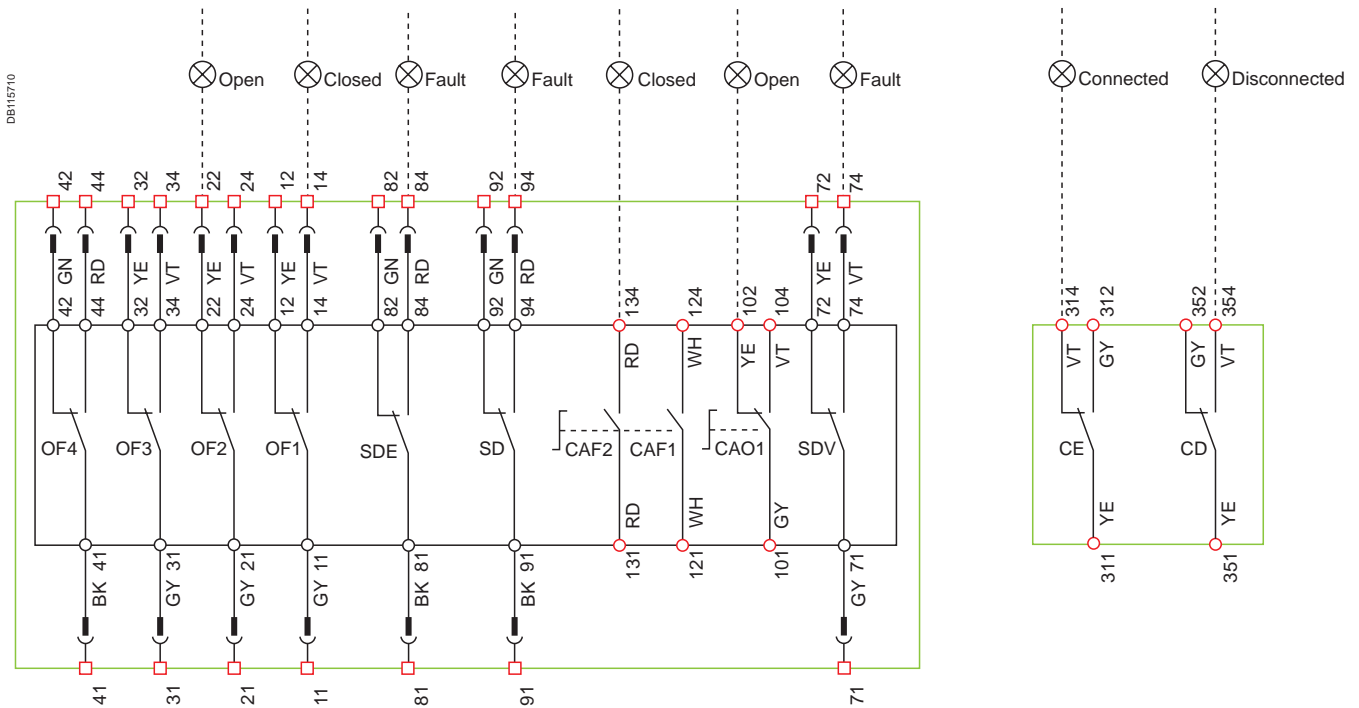


Communicating motor mechanism (MTC)

The diagram is shown with circuits de-energised, all devices open, connected and charged and relays in normal position.

Indication contacts

Carriage switches



Micrologic A or E

A/E Communication

H(WH), L(BL): data
- (BK), + (RD): 24 V DC power supply

A/E ZSI (Zone Selective Interlocking)

Z1: ZSI OUT SOURCE
Z2: ZSI OUT
Z3: ZSI IN SOURCE
Z4: ZSI IN ST (short time)
Z5: ZSI IN GF (ground fault)

Note: Z3, Z4, Z5 for NSX400/630 only.

A/E ENCT: external neutral current transformer:

- shielded cable with 1 twisted pair (T1, T2)
- shielding earthed at one end only (CT end).

Connection L = 30 cm max.
- maximum length of 10 metres
- cable size 0.4 to 1.5 mm²
- recommended cable: Belden 8441 or equivalent.

E ENVT: external neutral voltage tap for connection to the neutral via a 3P circuit breaker.

Colour code for auxiliary wiring

RD: red	VT: violet
WH: white	GY: grey
YE: yellow	OR: orange
BK: black	BL: blue
GN: green	

Terminals shown in red □ / ○ must be connected by the customer.

Remote operation

MN: undervoltage release

or

MX: shunt release

Motor mechanism (MT)

A4: opening order

A2: closing order

B4, A1: motor mechanism power supply

L1: manual position (manu)

B2: SDE interlocking (mandatory for automatic or remote recharging)

BPO: opening pushbutton

BPF: closing pushbutton

Communicating motor mechanism (MTc)

B4, A1: motor mechanism power supply

BSCM: breaker status and control module

Indication contacts

OF2 / OF1: device ON/OFF indication contacts

OF4 / OF3: device ON/OFF indication contacts (NSX400/630)

SDE: fault-trip indication contact

(short-circuit, overload, ground fault, earth leakage)

SD: trip-indication contact

CAF2/CAF1: early-make contact (rotary handle only)

CAO1: early-break contact (rotary handle only)

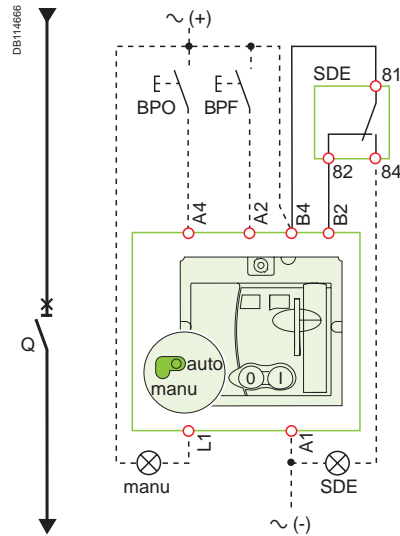
SDV: earth leakage fault trip indication contact (add-on Vigi module)

The diagram is shown with circuits de-energised, all devices open, connected and charged and relays in normal position.

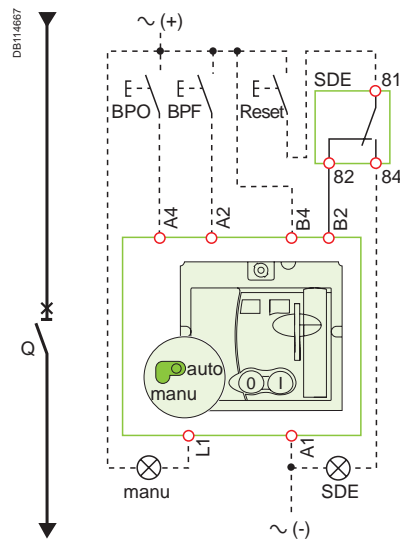
After tripping initiated by the "Push to trip" button or by the undervoltage (MN) release or the shunt (MX) release, device reset can be automatic, remote or manual.

Following tripping due to an electrical fault (with an SDE contact), reset must be carried out manually.

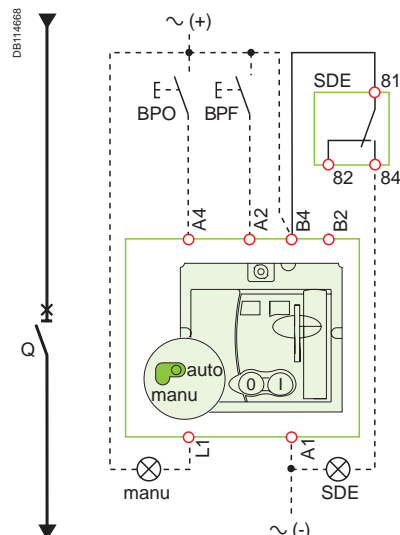
Motor mechanism (MT) with automatic reset



Motor mechanism (MT) with remote reset



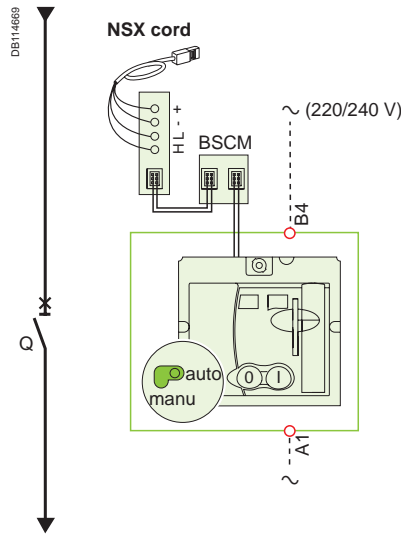
Motor mechanism (MT) with manual reset



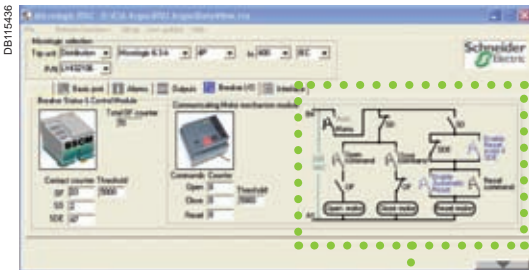
Symbols

- Q:** circuit breaker
- A4 :** opening order
- A2:** closing order
- B4, A1:** motor mechanism power supply
- L1:** manual position (manu)
- B2:** SDE interlocking (mandatory for correct operation)
- BPO:** opening pushbutton
- BPF:** closing pushbutton
- SDE:** fault-trip indication contact (short-circuit, overload, ground fault, earth leakage)

Communicating motor mechanism (MTC)

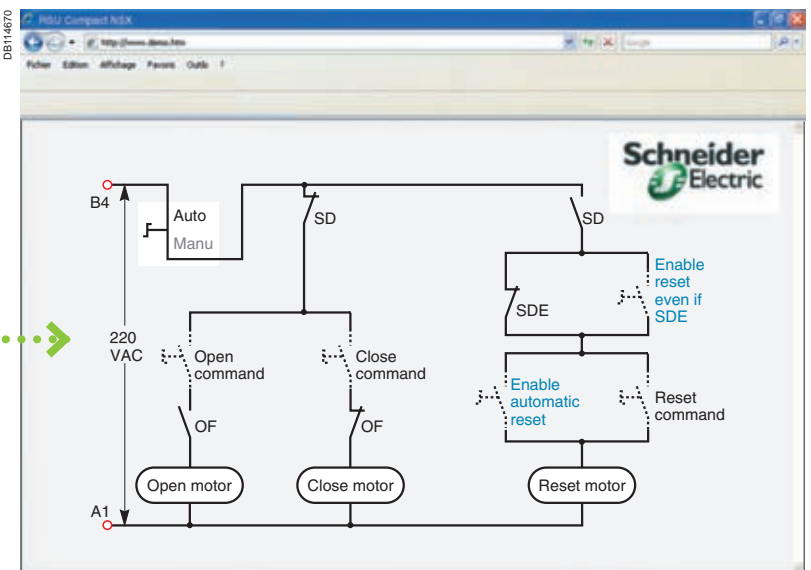


Schematic representation of the communicating motor mechanism (MT).



RSU utility setup screen for the communicating motor mechanism.

RSU screen for the communicating motor mechanism (MTC)



Single-line diagram of communicating motor mechanism

Opening, closing and reset orders are transmitted via the communication network. The "Enable automatic reset" and "Enable reset even if SDE" parameters must be set using the RSU software via the screen by clicking the blue text.

"Auto/manu" is a switch on the front of the motor mechanism.

Symbols

- Q:** circuit breaker
- B4, A1:** motor mechanism power supply
- BSCM:** breaker status and control module

Terminals shown in red ○ must be connected by the customer.

Compact NSX100 to 630 SDx module with Micrologic

The diagram is shown with circuits de-energised, all devices open, connected and charged and relays in normal position.

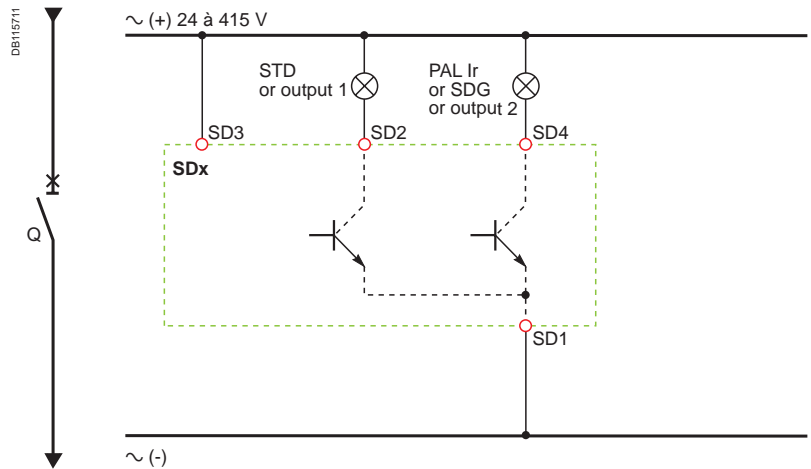
Symbols

- SD1, SD3:** SDx-module power supply
- SD2:** output 1 (80 mA max.)
- SD4:** output 2 (80 mA max.)

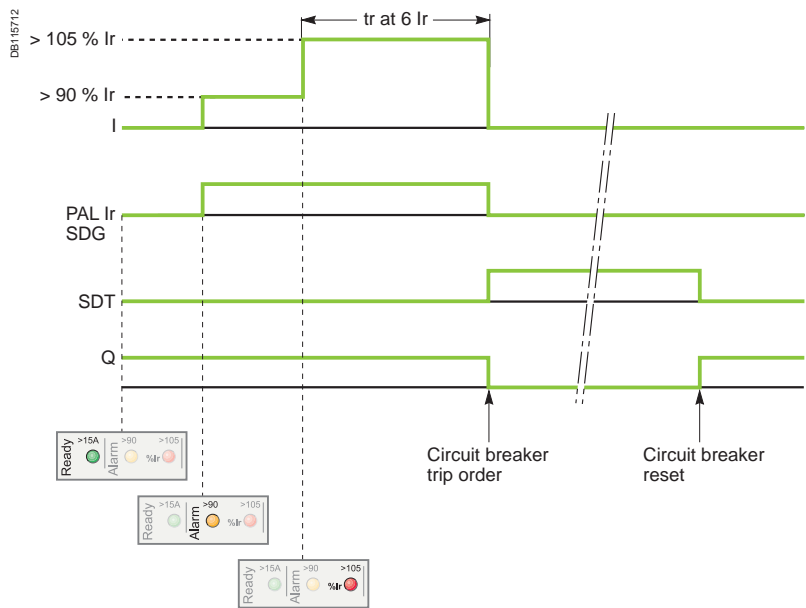
	SD2	SD4
Micrologic 2	SDT	-
Micrologic 5	SDT or output 1	PAL Ir or output 2
Micrologic 6	SDT or output 1	SDG or output 2

Terminals shown in red ○ must be connected by the customer.

Connection



Operation



- I:** charge current
- PAL Ir:** thermal overload pre-alarm
- SDG:** ground-fault signal
- SDT:** thermal-fault signal
- Q:** circuit breaker

SDTAM module with Micrologic M

The diagram is shown with circuits de-energised, all devices open, connected and charged and relays in normal position.

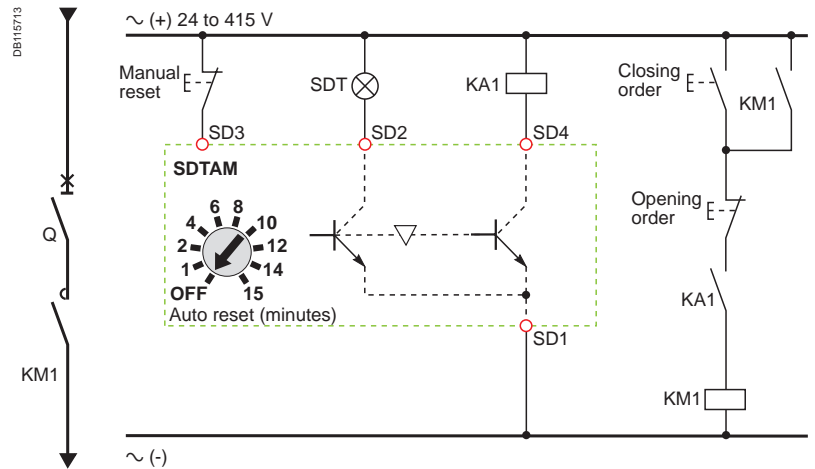
Symbols

- SD1, SD3:** SDTAM-module power supply
- SD2:** thermal-fault signal output (80 mA max.)
- SD4:** contactor-control output (80 mA max.)

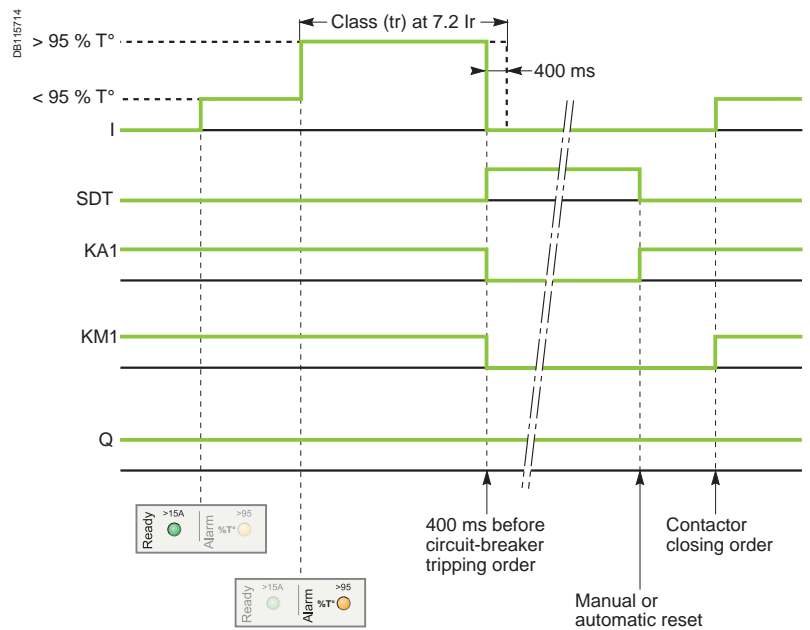
	SD2	SD4
Micrologic 2-M	SDT	KA1
Micrologic 6 E-M	SDT	KA1

Terminals shown in red ○ must be connected by the customer.

Connection



Operation



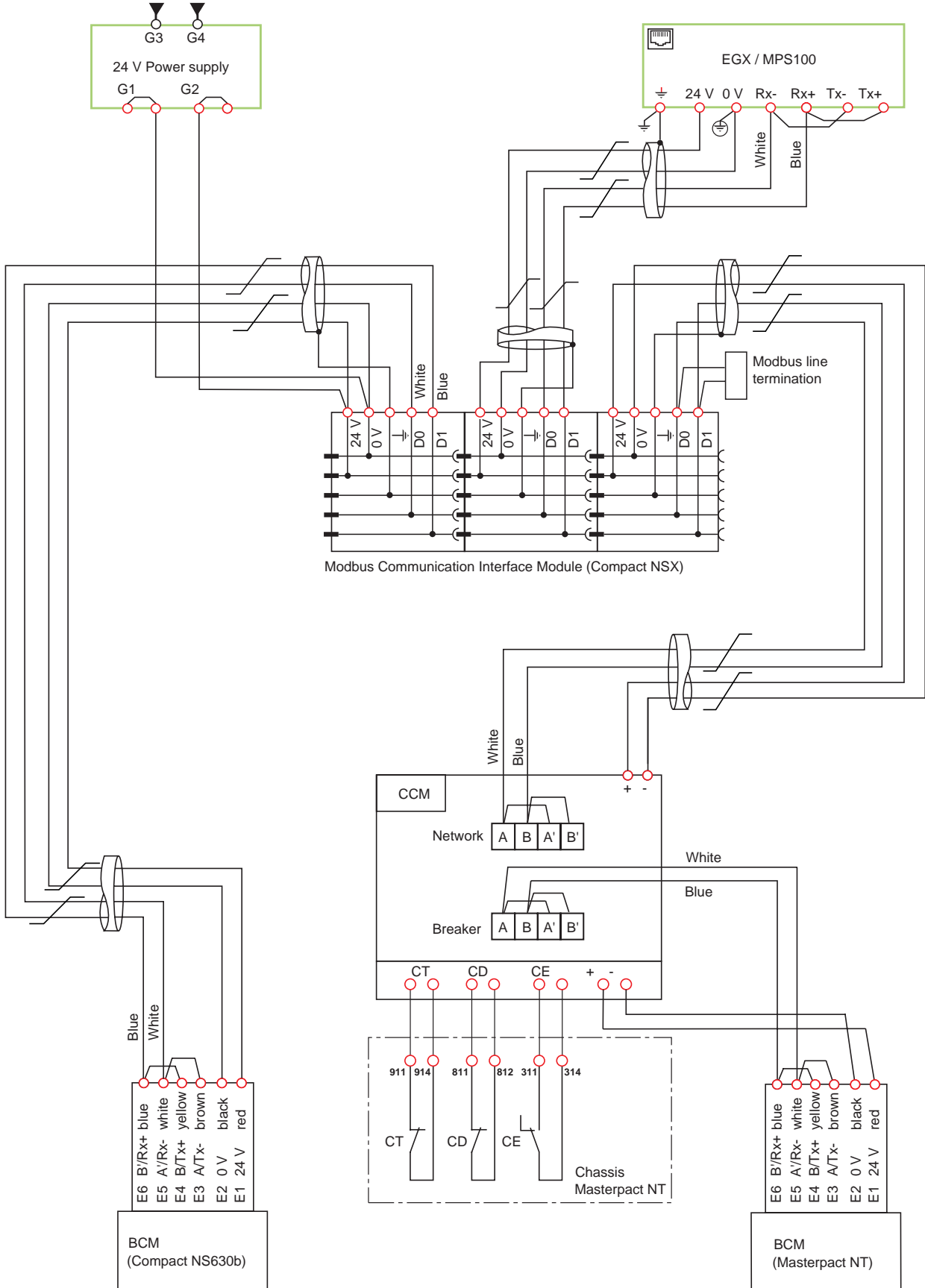
- I:** charge current
- SDT:** thermal-fault signal
- KA1:** auxiliary relay (e.g. RBN or RTBT relay)
- KM1:** motor contactor
- Q:** circuit breaker

Compact NSX100 to 630 Modbus module

Detailed connection of the circuit breakers on communication network Modbus.

Connection

DB124602





Reinforced discrimination



<i>Functions and characteristics</i>	A-1
<i>Installation recommendations</i>	B-1
<i>Dimensions and connection</i>	C-1
<i>Wiring diagrams</i>	D-1
Tripping curves	
Compact NSX100 to 250 protection of distribution systems	E-2
Compact NSX100 to 250 motor protection	E-6
Compact NSX400 to 630 protection of distribution systems	E-8
Compact NSX400 to 630 motor protection	E-10
Compact NSX100 to 630 reflex tripping	E-12
Current and energy limiting curves	E-13
<i>Catalogue numbers</i>	F-1
<i>Glossary</i>	G-1

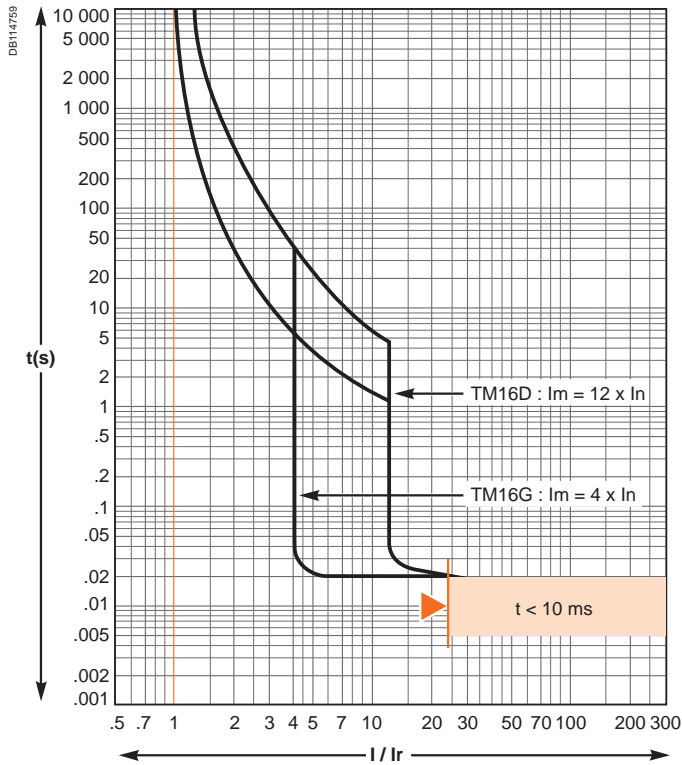
Tripping curves

Compact NSX100 to 250

Protection of distribution systems

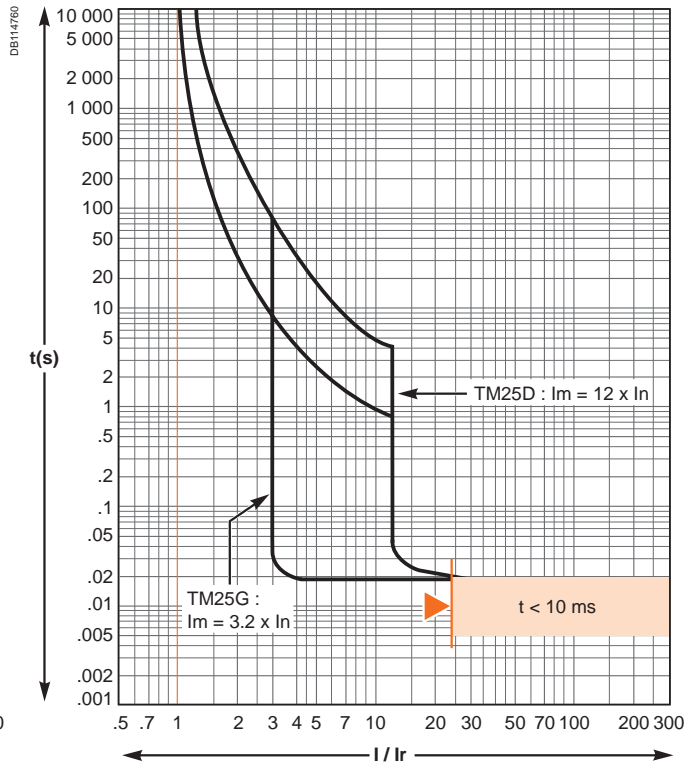
TM magnetic trip units

TM16D / TM16G

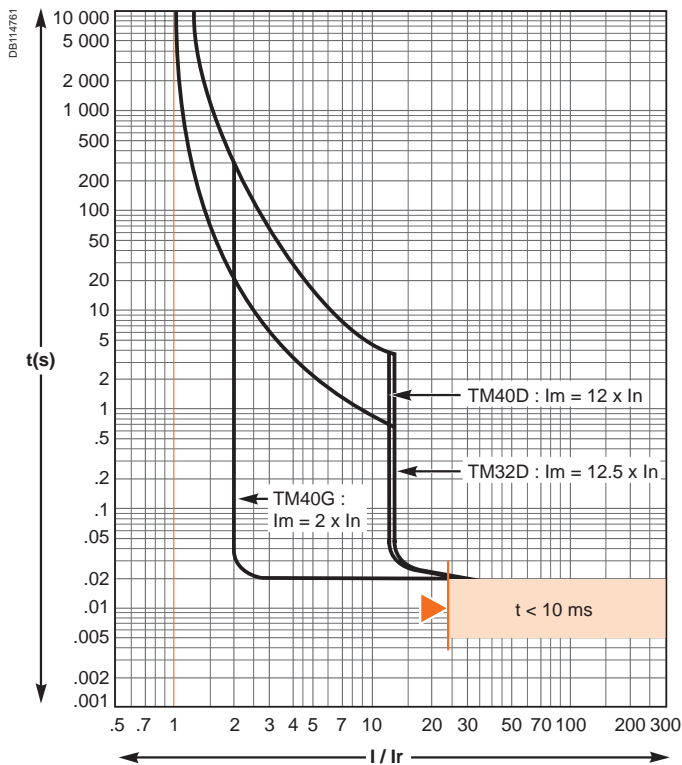


Reflex tripping.

TM25D / TM25G

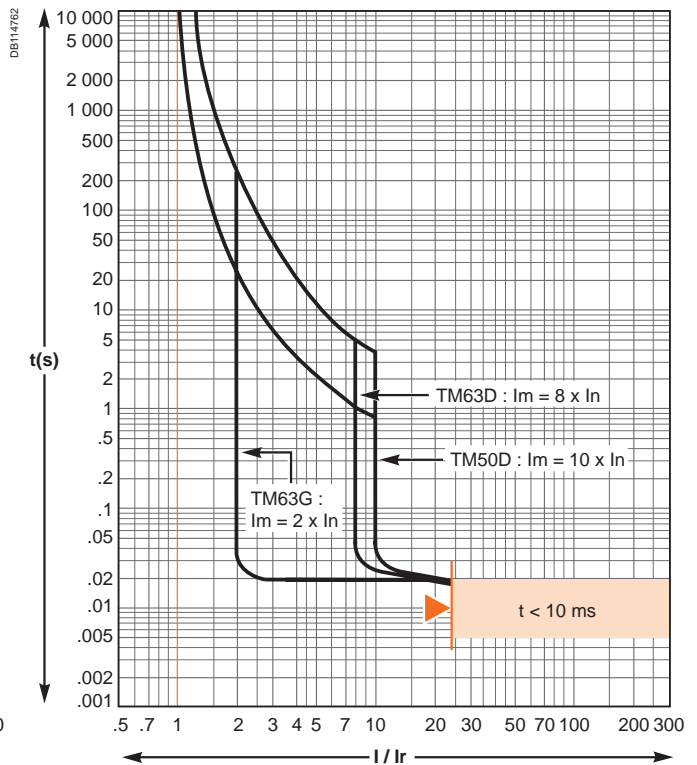


TM32D / TM40D / TM40G



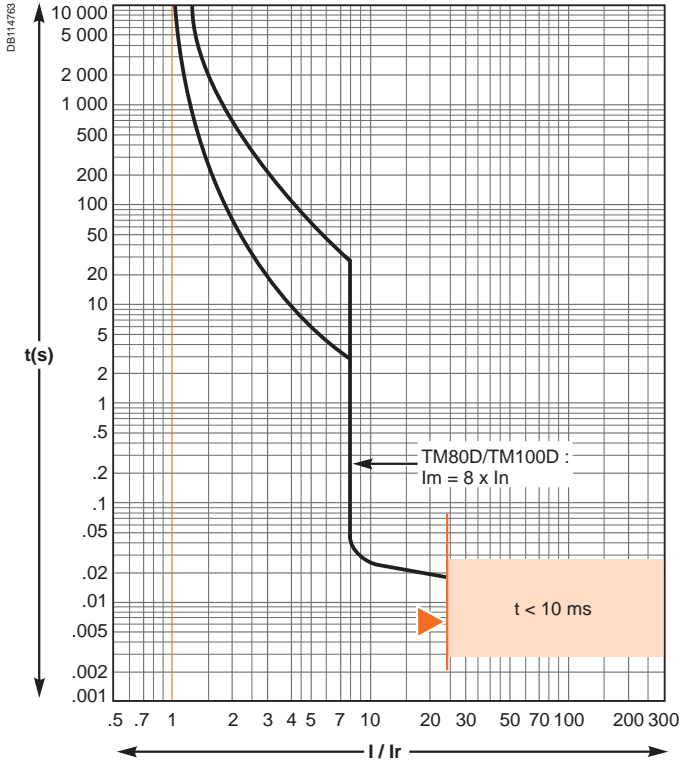
Reflex tripping.

TM50D / TM63D / TM63G



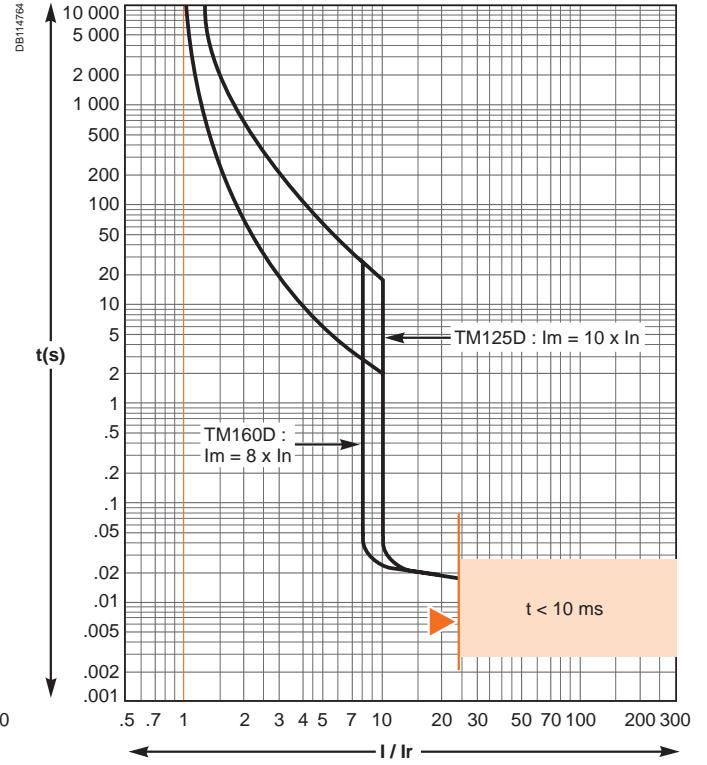
TM magnetic trip units (cont.)

TM80D / TM100D

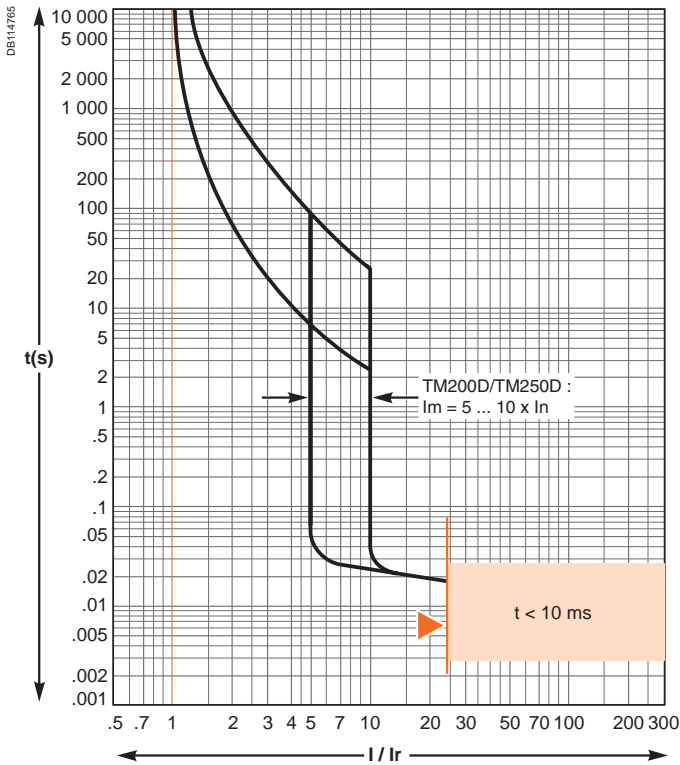


Reflex tripping.

TM125D / TM160D



TM200D / TM250D



Reflex tripping.

Tripping curves

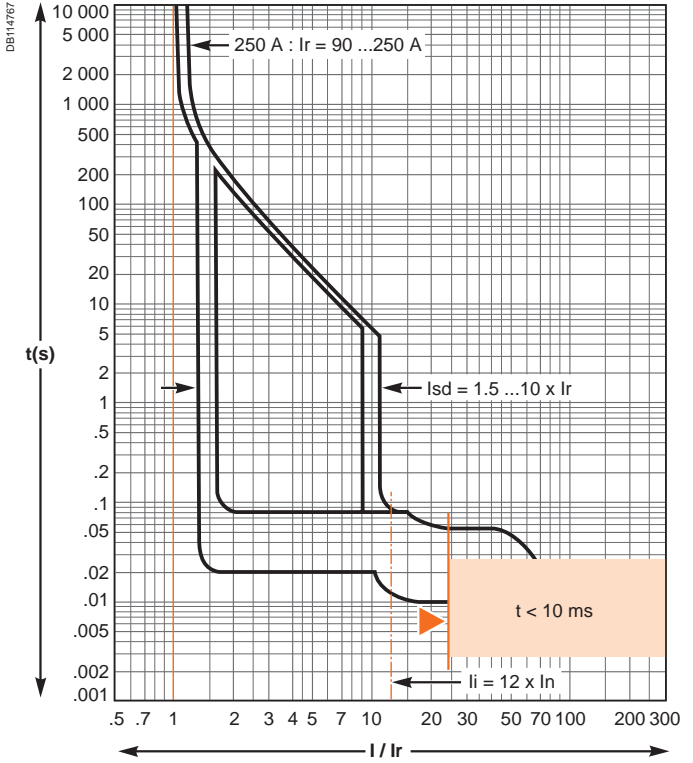
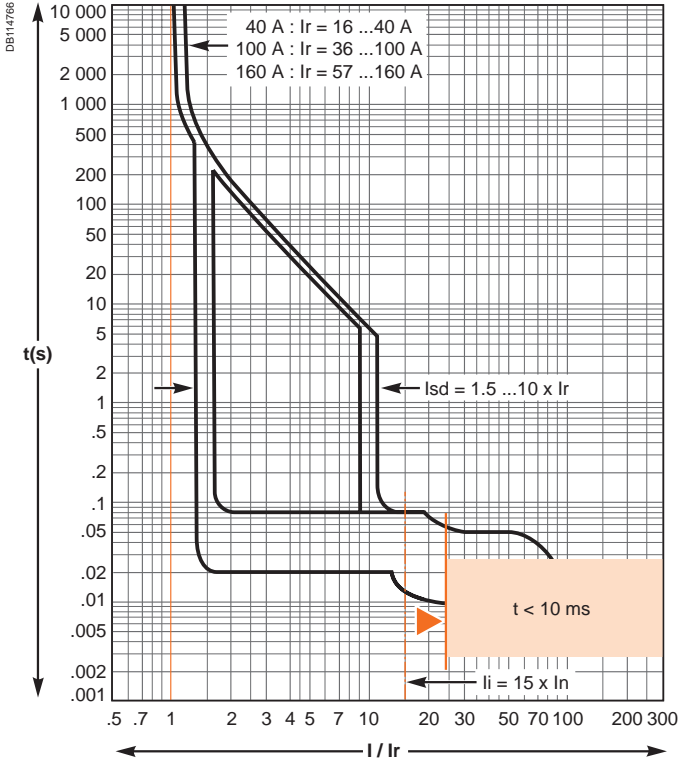
Compact NSX100 to 250

Protection of distribution systems (cont.)

Micrologic 2.2 and 2.2 G electronic trip units

Micrologic 2.2 - 40... 160 A

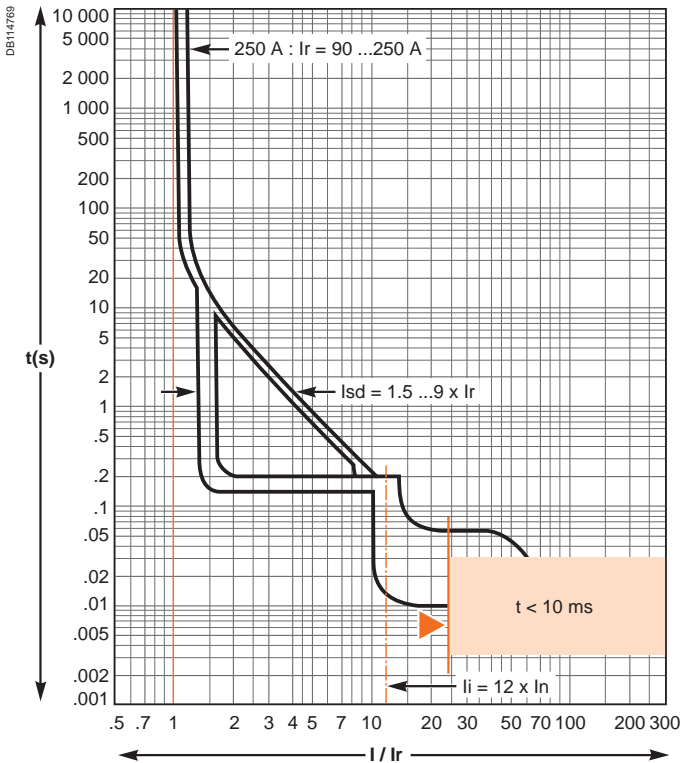
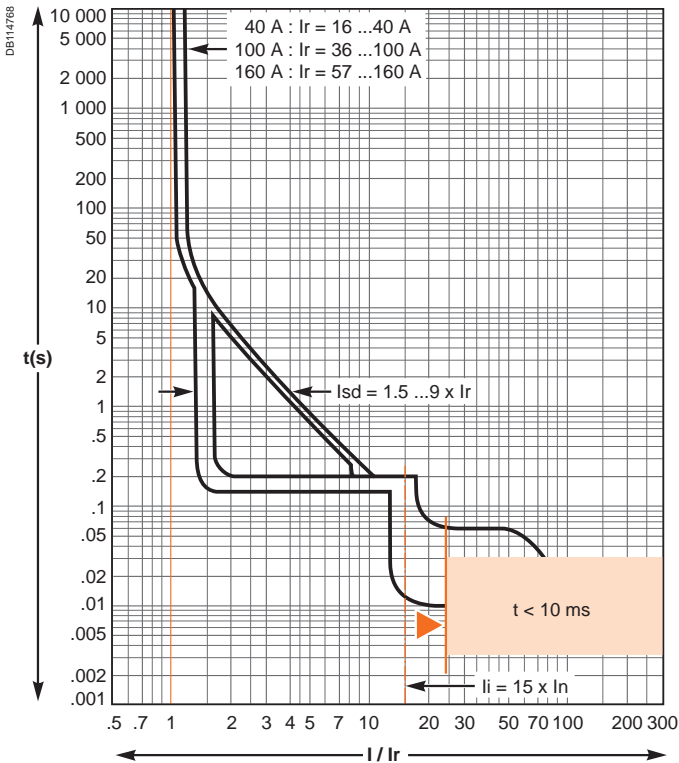
Micrologic 2.2 - 250 A



Reflex tripping.

Micrologic 2.2 G - 40... 160 A

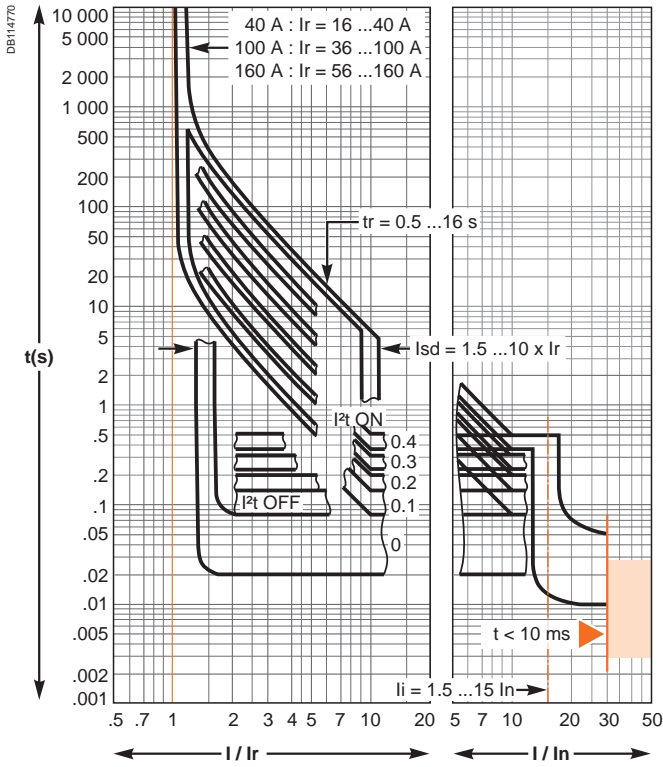
Micrologic 2.2 G - 250 A



Reflex tripping.

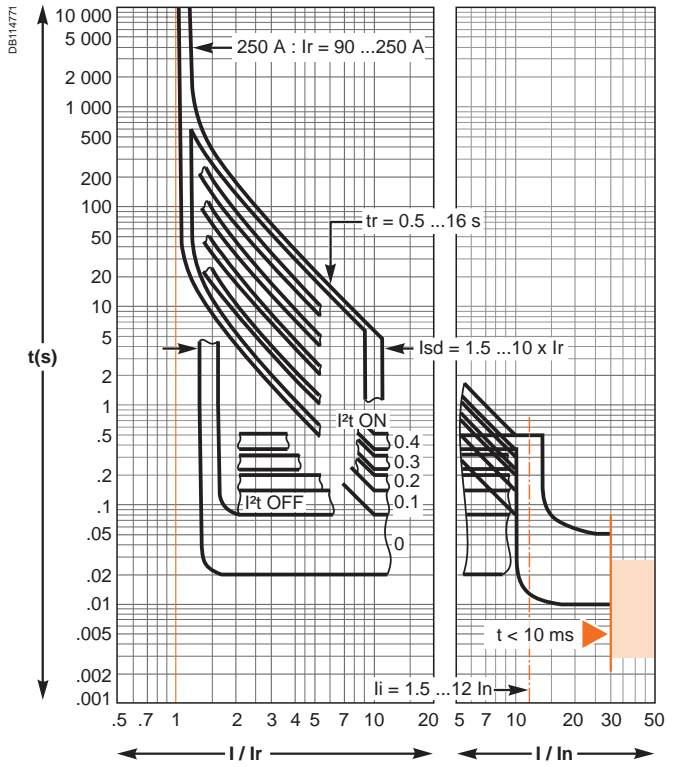
Micrologic 5.2 and 6.2 A or E electronic trip units

Micrologic 5.2 and 6.2 A or E - 40... 160 A

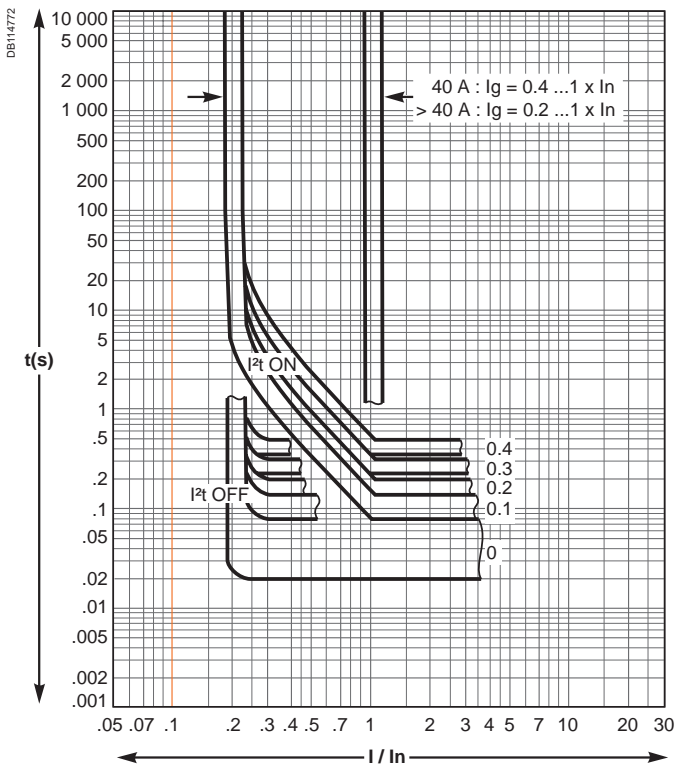


Reflex tripping.

Micrologic 5.2 and 6.2 A or E - 250 A



Micrologic 6.2 A or E (ground-fault protection)



Tripping curves

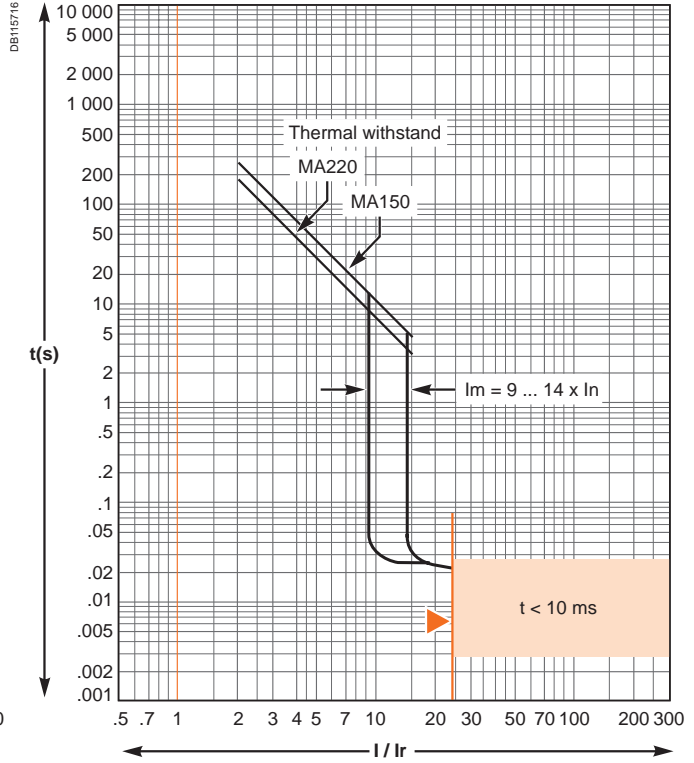
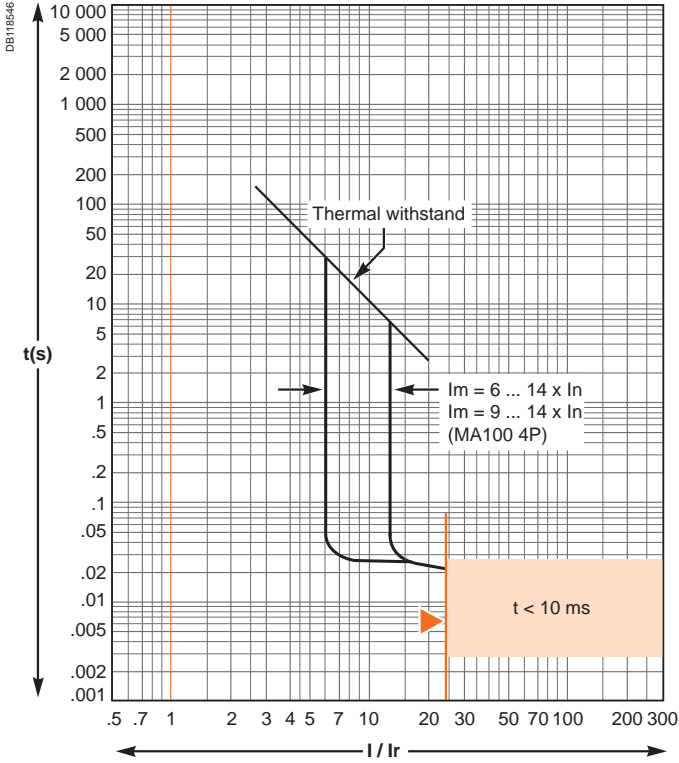
Compact NSX100 to 250

Motor protection

MA magnetic trip units

MA2.5... MA100

MA150 and MA220

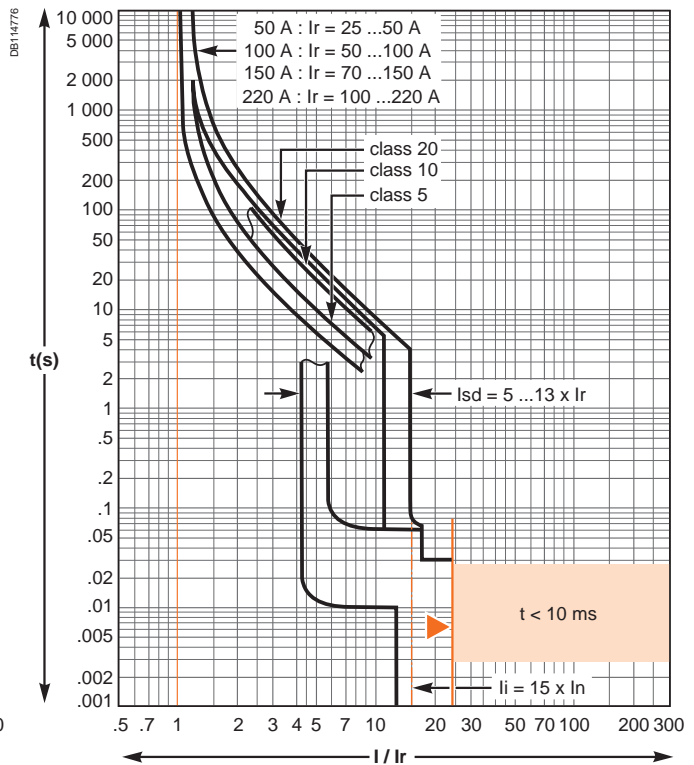
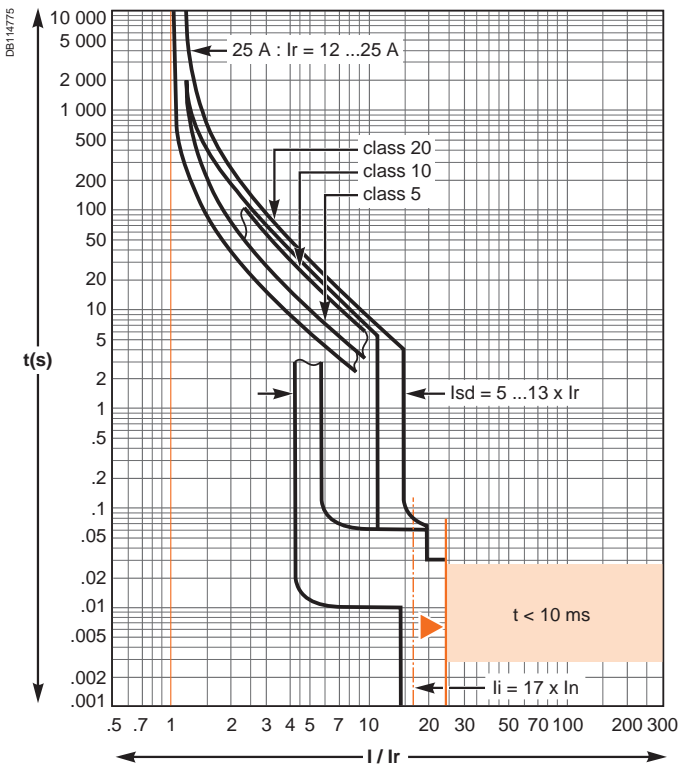


Reflex tripping.

Micrologic 2.2 M electronic trip units

Micrologic 2.2 M - 25 A

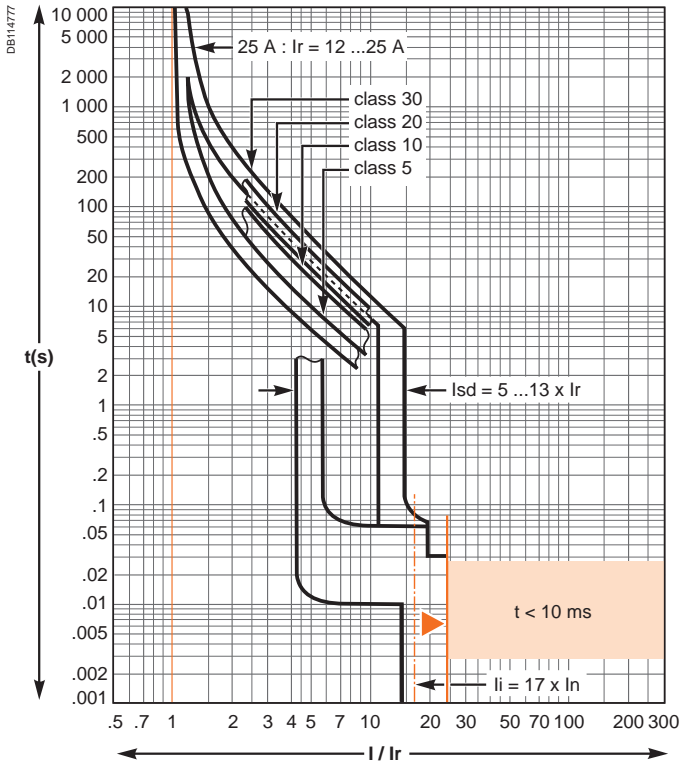
Micrologic 2.2 M - 50... 220 A



Reflex tripping.

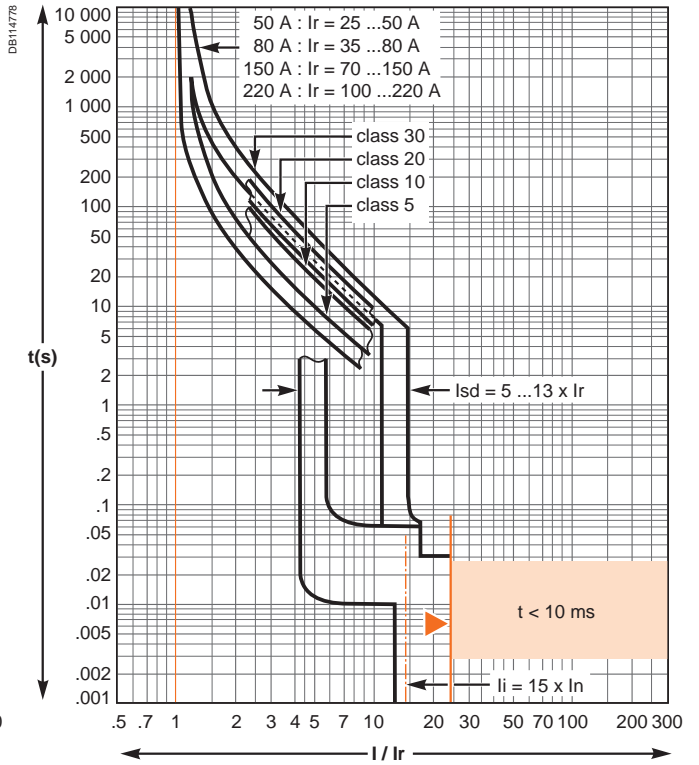
Micrologic 6.2 E-M electronic trip units

Micrologic 6.2 E-M - 25 A

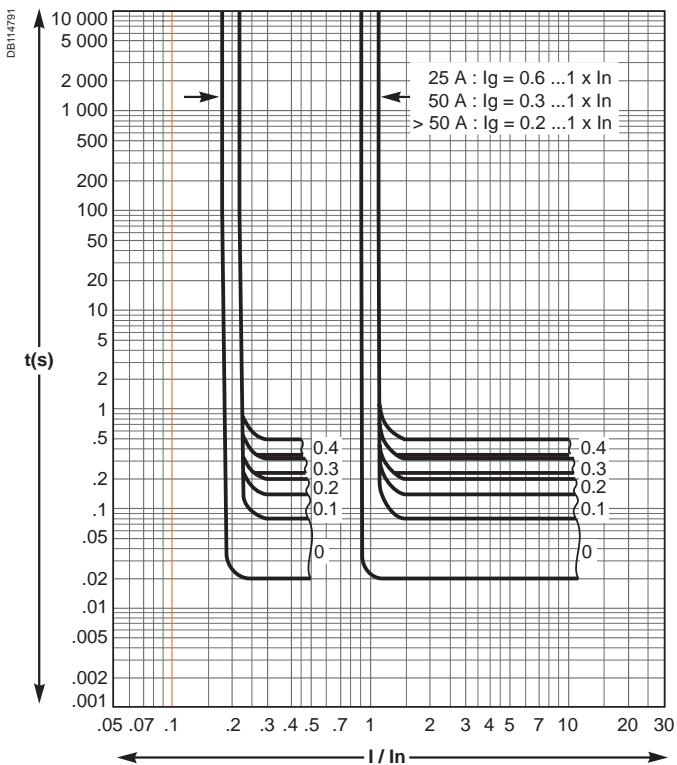


Reflex tripping.

Micrologic 6.2 E-M - 50... 220 A



Micrologic 6.2 E-M (ground-fault protection)



Tripping curves

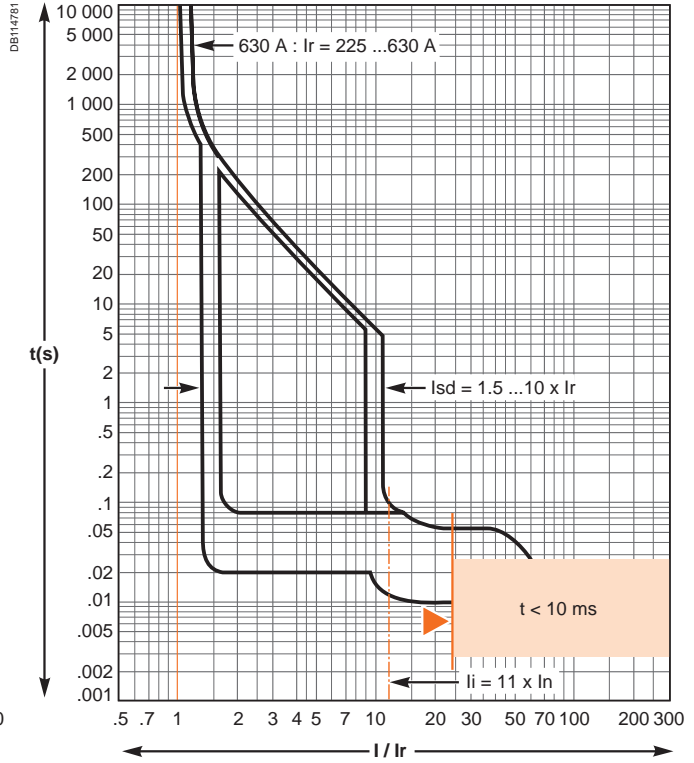
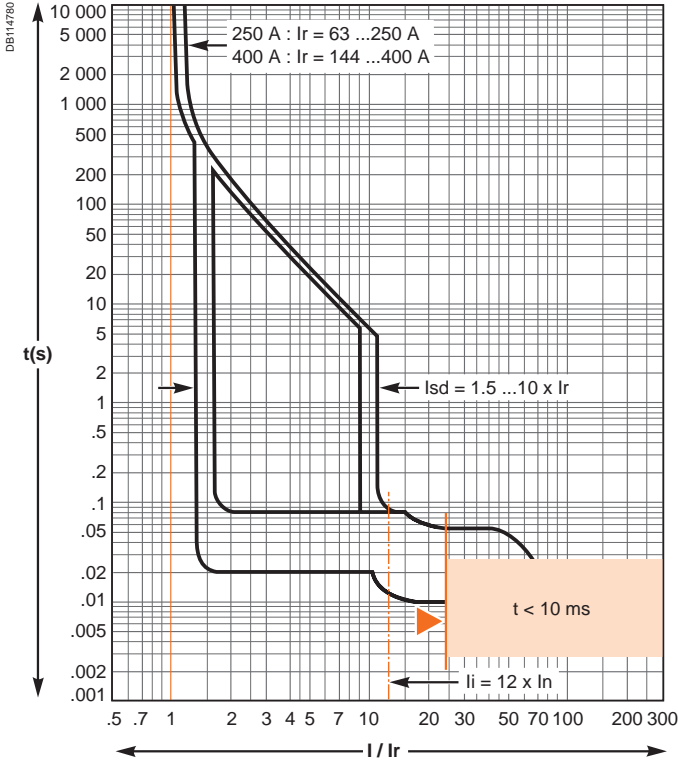
Compact NSX400 to 630

Protection of distribution systems

Micrologic 2.3, 5.3 and 6.3 A or E electronic trip units

Micrologic 2.3 - 250... 400 A

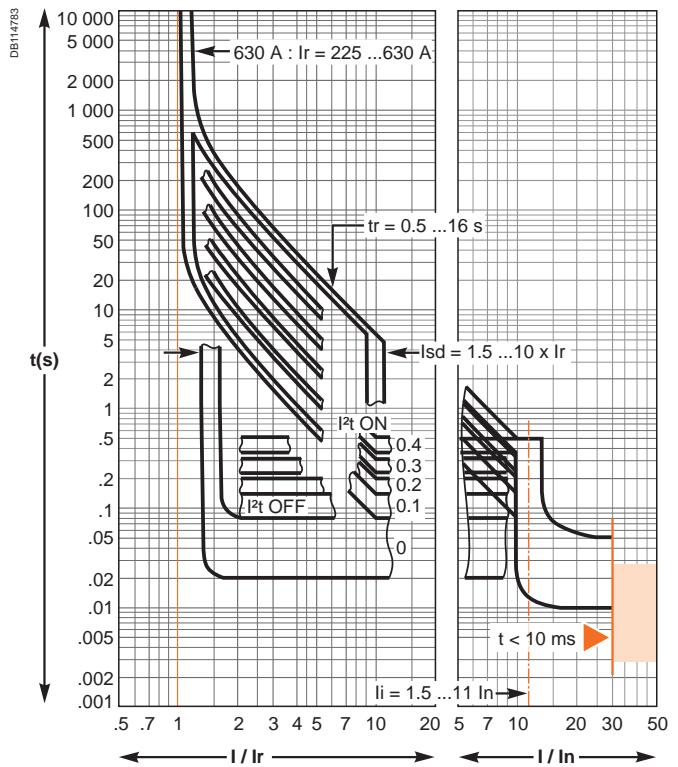
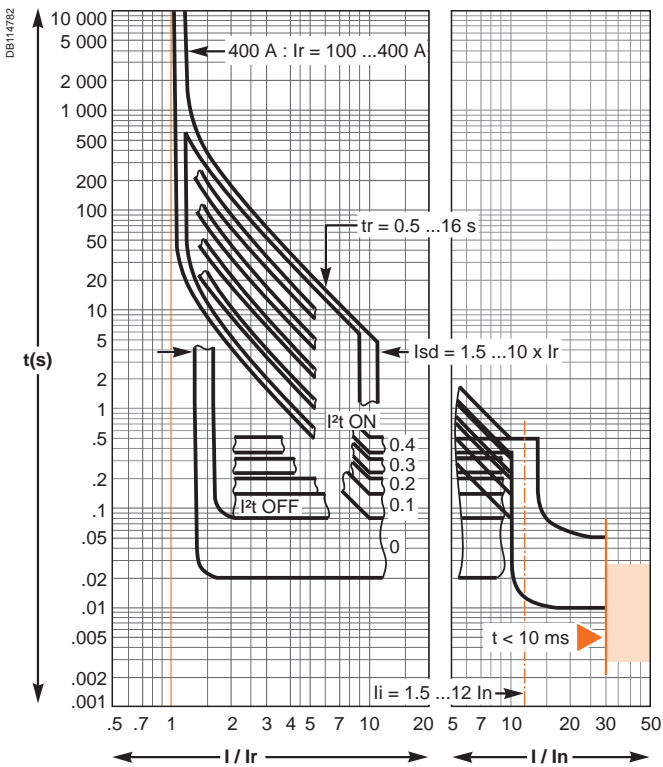
Micrologic 2.3 - 630 A



Reflex tripping.

Micrologic 5.3 and 6.3 A or E - 400 A

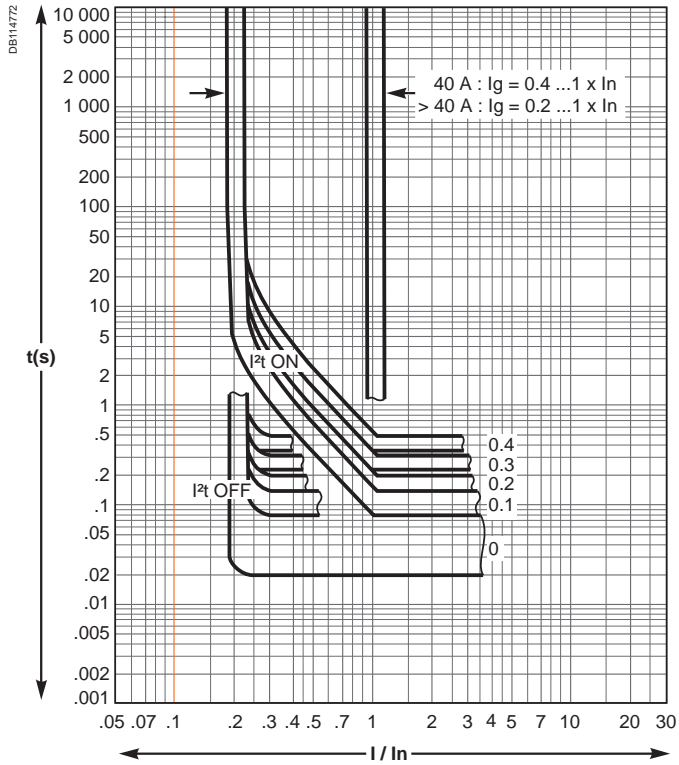
Micrologic 5.3 and 6.3 A or E - 630 A



Reflex tripping.

Micrologic 6.3 A or E electronic trip units (cont.)

Micrologic 6.3 A or E (ground-fault protection)



Tripping curves

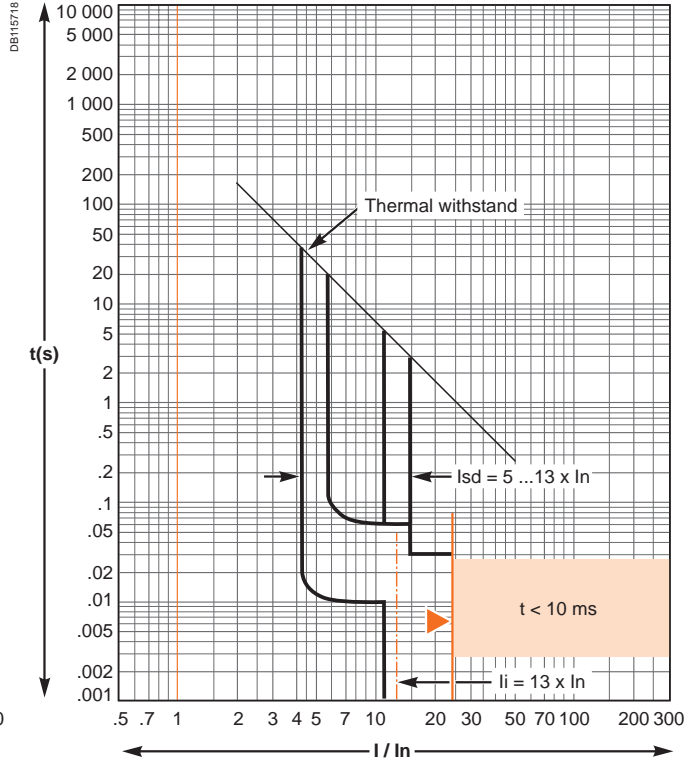
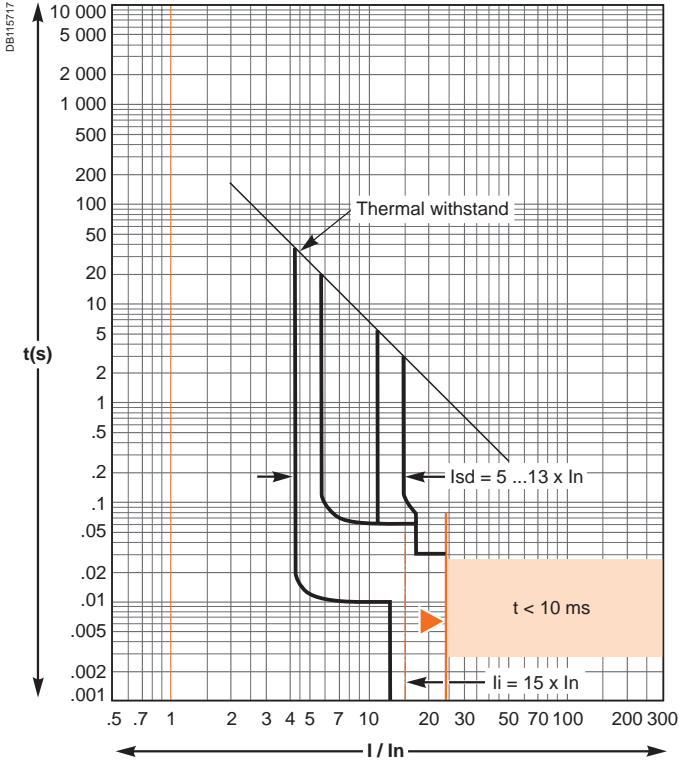
Compact NSX400 to 630

Motor protection

Micrologic 1.3 M and 2.3 M electronic trip units

Micrologic 1.3 M - 320 A

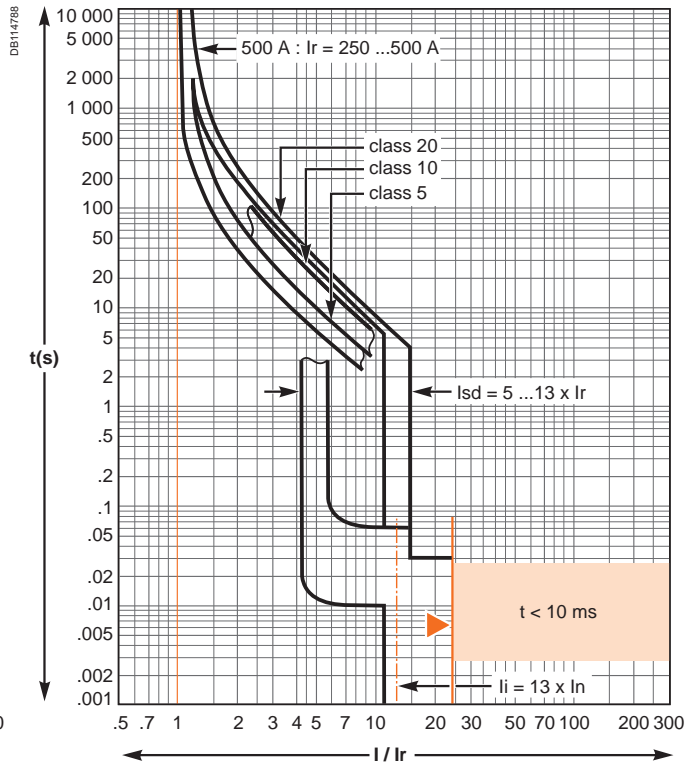
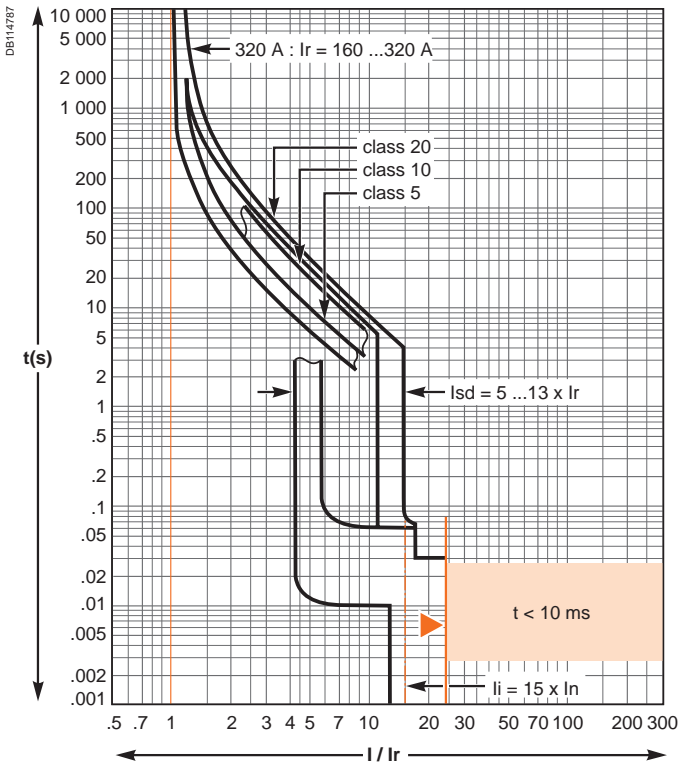
Micrologic 1.3 M - 500 A



Reflex tripping.

Micrologic 2.3 M - 320 A

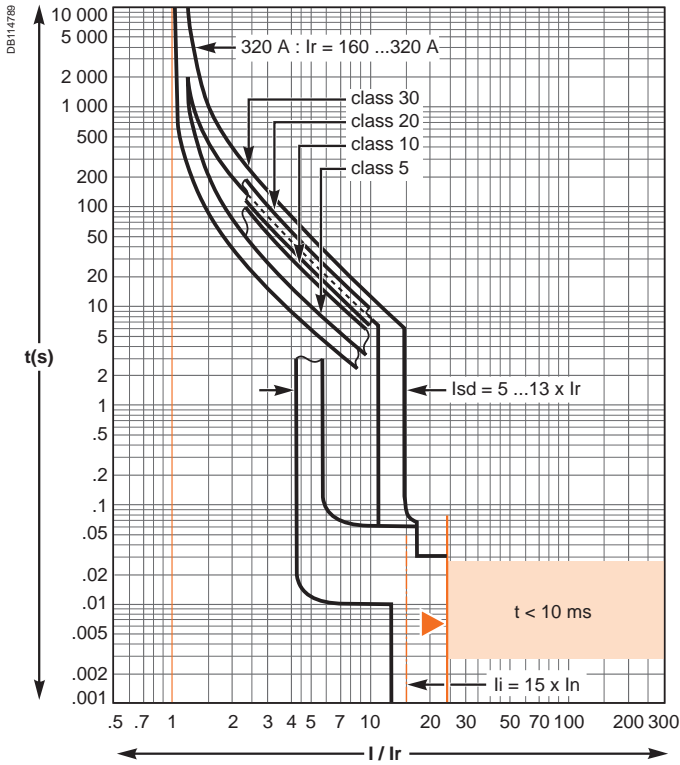
Micrologic 2.3 M - 500 A



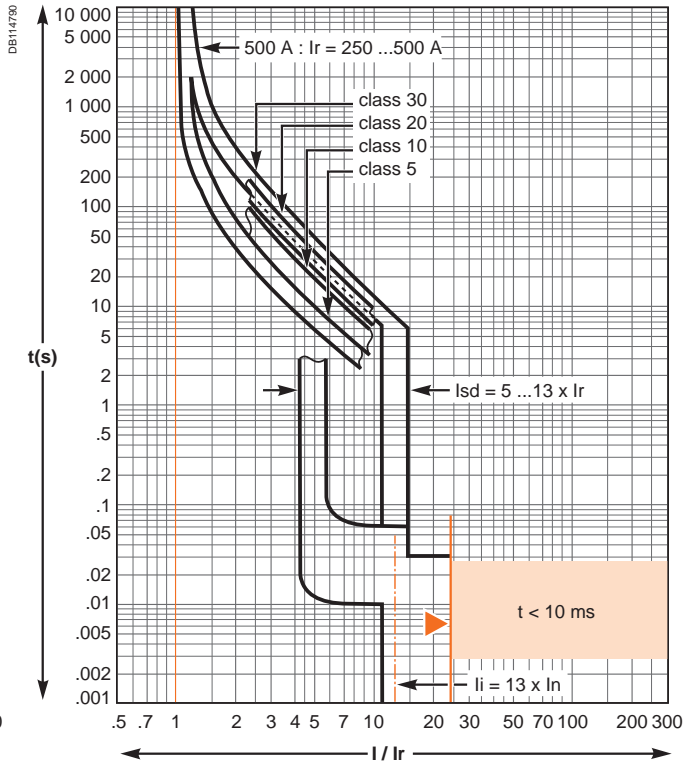
Reflex tripping.

Micrologic 6.3 E-M electronic trip units

Micrologic 6.3 E-M - 320 A

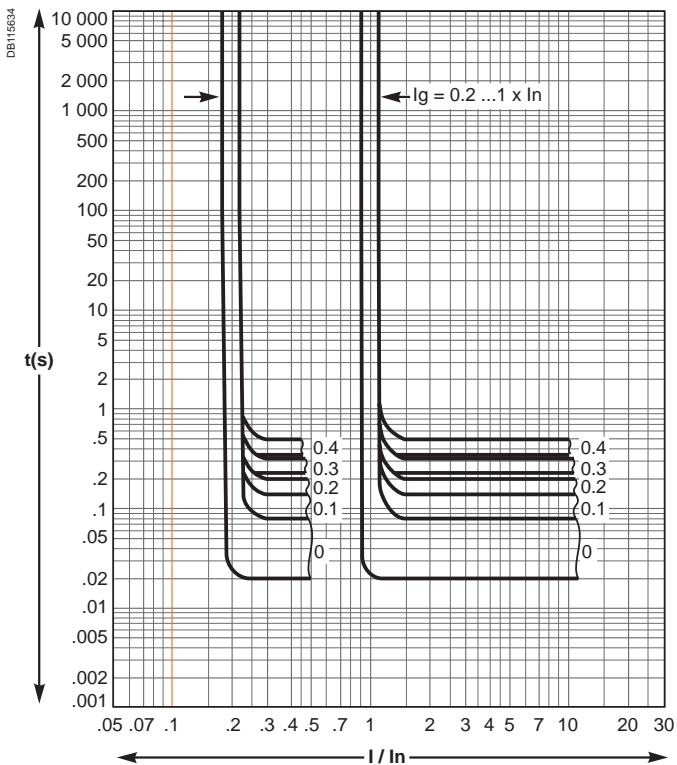


Micrologic 6.3 E-M - 500 A



Reflex tripping.

Micrologic 6.3 E-M (ground fault protection)

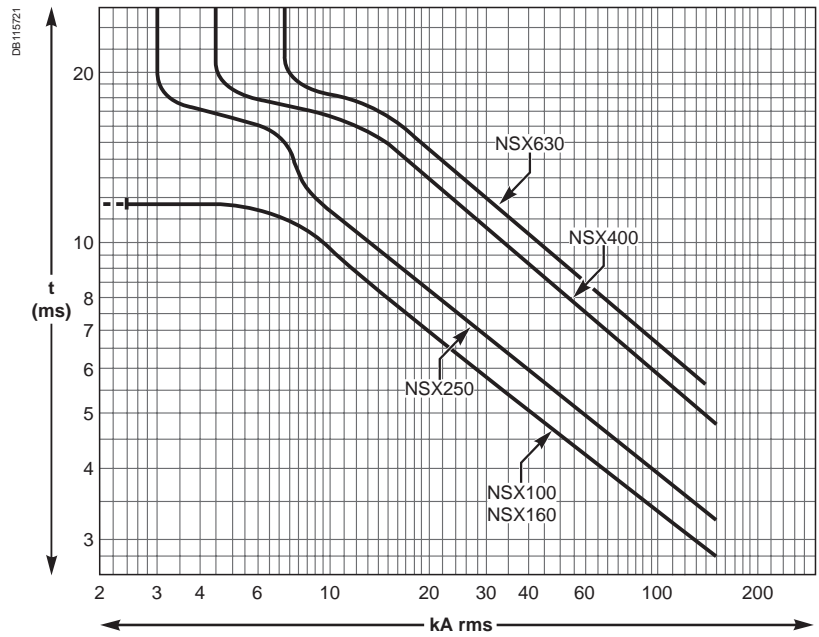


Tripping curves

Compact NSX100 to 630

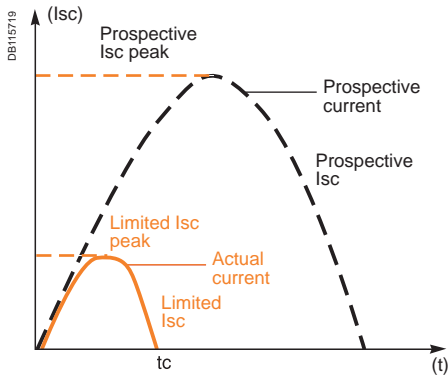
Reflex tripping

Compact NSX100 to 630 devices incorporate the exclusive reflex-tripping system. This system breaks very high fault currents. The device is mechanically tripped via a "piston" actuated directly by the pressure produced in the breaking units by the short-circuit. For high short-circuits, this system provides a faster break, thereby ensuring discrimination. Reflex-tripping curves are exclusively a function of the circuit-breaker rating.



Current and energy limiting curves

The limiting capacity of a circuit breaker is its aptitude to let through a current, during a short-circuit, that is less than the prospective short-circuit current.



The exceptional limiting capacity of the Compact NSX range is due to the rotating double-break technique (very rapid natural repulsion of contacts and the appearance of two arc voltages in-series with a very steep wave front).

Ics = 100 % Icu

The exceptional limiting capacity of the Compact NSX range greatly reduces the forces created by fault currents in devices.

The result is a major increase in breaking performance.

In particular, the service breaking capacity Ics is equal to 100 % of Icu.

The Ics value, defined by IEC standard 60947-2, is guaranteed by tests comprising the following steps:

- break three times consecutively a fault current equal to 100% of Icu
- check that the device continues to function normally, that is:
 - it conducts the rated current without abnormal temperature rise
 - protection functions perform within the limits specified by the standard
 - suitability for isolation is not impaired.

Longer service life of electrical installations

Current-limiting circuit breakers greatly reduce the negative effects of short-circuits on installations.

Thermal effects

Less temperature rise in conductors, therefore longer service life for cables.

Mechanical effects

Reduced electrodynamic forces, therefore less risk of electrical contacts or busbars being deformed or broken.

Electromagnetic effects

Fewer disturbances for measuring devices located near electrical circuits.

Economy by means of cascading

Cascading is a technique directly derived from current limiting. Circuit breakers with breaking capacities less than the prospective short-circuit current may be installed downstream of a limiting circuit breaker. The breaking capacity is reinforced by the limiting capacity of the upstream device. It follows that substantial savings can be made on downstream equipment and enclosures.

Current and energy limiting curves

The limiting capacity of a circuit breaker is expressed by two curves which are a function of the prospective short-circuit current (the current which would flow if no protection devices were installed):

- the actual peak current (limited current)
- thermal stress (A²s), i.e. the energy dissipated by the short-circuit in a conductor with a resistance of 1 Ω.

Example

What is the real value of a 150 kA rms prospective short-circuit (i.e. 330 kA peak) limited by an NSX250L upstream ?

The answer is 30 kA peak (curve [page E-14](#)).

Maximum permissible cable stresses

The table below indicates the maximum permissible thermal stresses for cables depending on their insulation, conductor (Cu or Al) and their cross-sectional area (CSA). CSA values are given in mm² and thermal stresses in A²s.

CSA		1.5 mm ²	2.5 mm ²	4 mm ²	6 mm ²	10 mm ²
PVC	Cu	2.97x10 ⁴	8.26x10 ⁴	2.12x10 ⁵	4.76x10 ⁵	1.32x10 ⁶
	Al					5.41x10 ⁵
PRC	Cu	4.10x10 ⁴	1.39x10 ⁵	2.92x10 ⁵	6.56x10 ⁵	1.82x10 ⁶
	Al					7.52x10 ⁵
CSA		16 mm ²	25 mm ²	35 mm ²	50 mm ²	
PVC	Cu	3.4x10 ⁶	8.26x10 ⁶	1.62x10 ⁷	3.31x10 ⁷	
	Al	1.39x10 ⁶	3.38x10 ⁶	6.64x10 ⁶	1.35x10 ⁷	
PRC	Cu	4.69x10 ⁶	1.39x10 ⁷	2.23x10 ⁷	4.56x10 ⁷	
	Al	1.93x10 ⁶	4.70x10 ⁶	9.23x10 ⁶	1.88x10 ⁷	

Example

Is a Cu/PVC cable with a CSA of 10 mm² adequately protected by an NSX160F?

The table above indicates that the permissible stress is 1.32x10⁶ A²s.

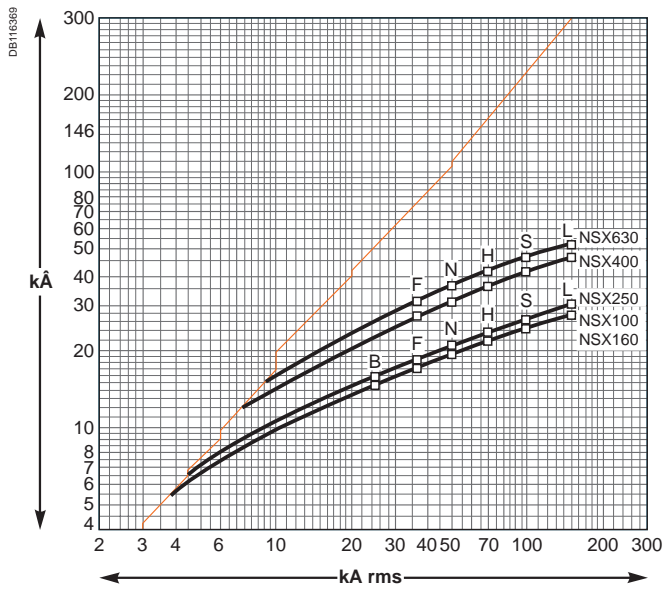
All short-circuit currents at the point where an NSX160F (Icu = 35 kA) is installed are limited with a thermal stress less than 6x10⁵ A²s (curve [page E-14](#)).

Cable protection is therefore ensured up to the limit of the breaking capacity of the circuit breaker.

Current-limiting curves

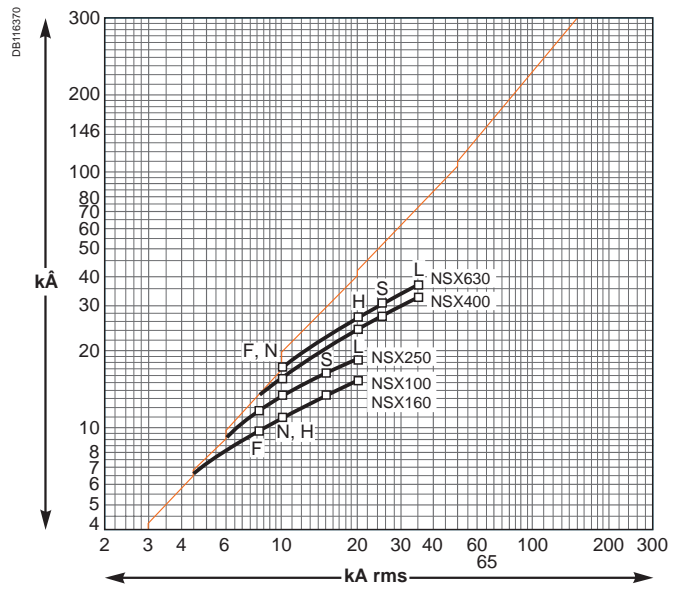
Voltage 400/440 V AC

Limited short-circuit current (kA peak)



Voltage 660/690 V AC

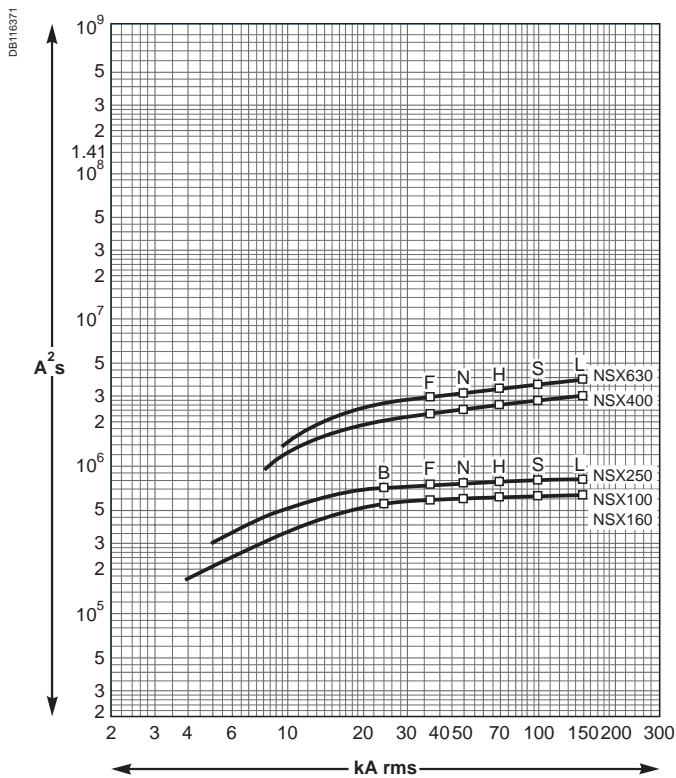
Limited short-circuit current (kA peak)



Energy-limiting curves

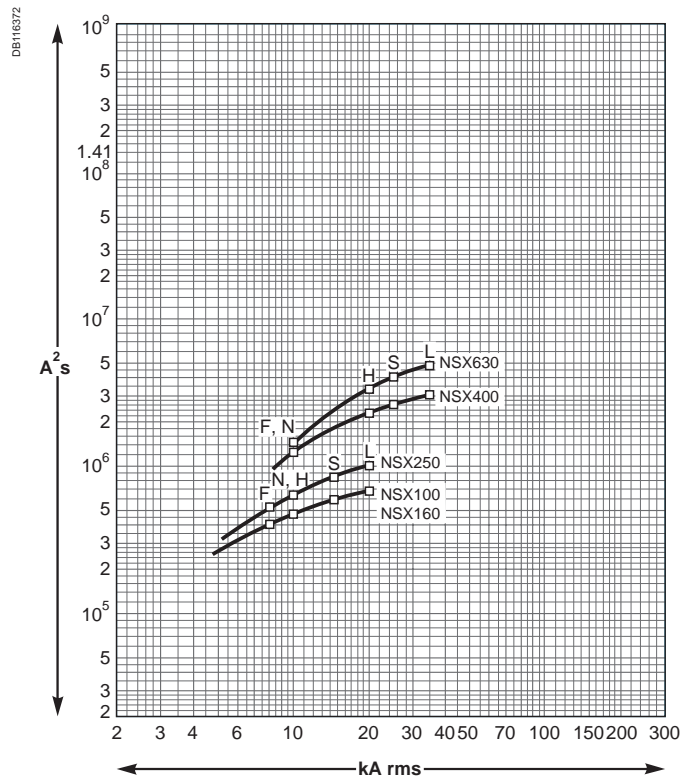
Voltage 400/440 V AC

Limited energy



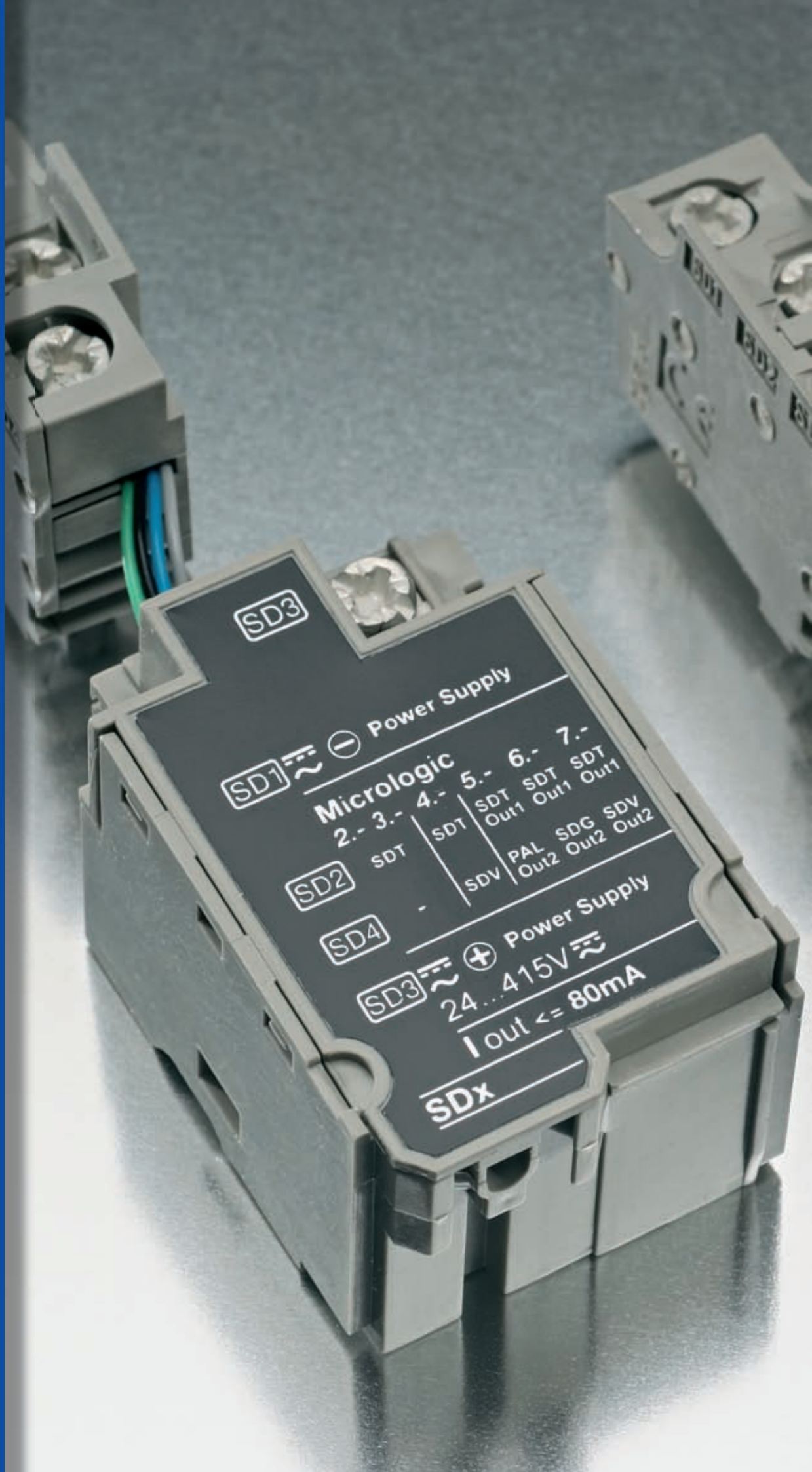
Voltage 660/690 V AC

Limited energy





Simplicity of catalogue numbers



Catalogue numbers

Contents

<i>Functions and characteristics</i>	A-1
<i>Installation recommendations</i>	B-1
<i>Dimensions and connection</i>	C-1
<i>Wiring diagrams</i>	D-1
<i>Additional characteristics</i>	E-1
NSX100 to 250	F-3
NSX400 to 630	F-29
Order form Compact NSX100 to 630	F-52
<i>Glossary</i>	G-1

NSX100/160/250B: complete fixed/FC device	F-4
Compact NSX100/160/250B (25 kA 380/415 V)	F-4
Vigicompact NSX100/160/250B (25 kA 380/415 V)	F-5
NSX100/160/250F: complete fixed/FC device	F-6
Compact NSX100/160/250F (36 kA 380/415 V)	F-6
Vigicompact NSX100/160/250F (36 kA 380/415 V)	F-8
NSX100/160/250N: complete fixed/FC device	F-9
Compact NSX100/160/250N (50 kA 380/415 V)	F-9
NSX100/160/250H: complete fixed/FC device	F-11
Compact NSX100/160/250H (70 kA 380/415 V)	F-11
NSX100/160/250NA: complete fixed/FC device	F-13
Compact NSX100/160/250NA	F-13
NSX100/160/250B/F/N/H/S/L: fixed/FC device based on separate components	F-14
Compact and Vigicompact	F-14
Trip unit accessories	F-16
Compact and Vigicompact NSX100/160/250	F-16
Installation and connection	F-17
Compact and Vigicompact NSX100/160/250	F-17
Accessories	F-18
Compact and Vigicompact NSX100/160/250	F-18
Monitoring and control, test tools	F-27
Compact and Vigicompact NSX100/160/250	F-27

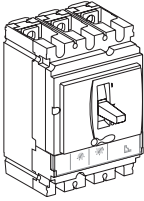
NSX100/160/250B: complete fixed/FC device

Compact NSX100/160/250B
(25 kA 380/415 V)

Compact NSX100/160/250B

With thermal-magnetic trip unit TM-D

DB112222



Compact NSX100B (25 kA at 380/415 V)

Rating	3P 2d	3P 3d	4P 3d	4P 4d
TM16D	LV429547	LV429557	LV429567	LV429577
TM25D	LV429546	LV429556	LV429566	LV429576
TM32D	LV429545	LV429555	LV429565	LV429575
TM40D	LV429544	LV429554	LV429564	LV429574
TM50D	LV429543	LV429553	LV429563	LV429573
TM63D	LV429542	LV429552	LV429562	LV429572
TM80D	LV429541	LV429551	LV429561	LV429571
TM100D	LV429540	LV429550	LV429560	LV429570

Compact NSX160B (25 kA at 380/415 V)

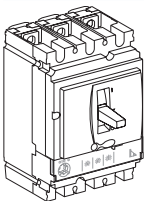
Rating	3P 2d	3P 3d	4P 3d	4P 4d
TM80D	LV430303	LV430313	LV430323	LV430333
TM100D	LV430302	LV430312	LV430322	LV430332
TM125D	LV430301	LV430311	LV430321	LV430331
TM160D	LV430300	LV430310	LV430320	LV430330

Compact NSX250B (25 kA at 380/415 V)

Rating	3P 2d	3P 3d	4P 3d	4P 4d
TM125D	LV431103	LV431113	LV431123	LV431133
TM160D	LV431102	LV431112	LV431122	LV431132
TM200D	LV431101	LV431111	LV431121	LV431131
TM250D	LV431100	LV431110	LV431120	LV431130

With electronic trip unit Micrologic 2.2 (LS_o protection)

DB112223



Compact NSX100B (25 kA at 380/415 V)

Rating	3P 3d	4P 3d, 4d, 3d + N/2
40	LV429777	LV429787
100	LV429775	LV429785

Compact NSX160B (25 kA at 380/415 V)

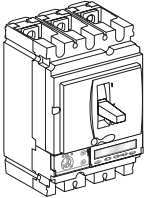
Rating	3P 3d	4P 3d, 4d, 3d + N/2
100	LV430746	LV430751
160	LV430745	LV430750

Compact NSX250B (25 kA at 380/415 V)

Rating	3P 3d	4P 3d, 4d, 3d + N/2
100	LV431142	LV431152
160	LV431141	LV431151
250	LV431140	LV431150

With electronic trip unit Micrologic 5.2 A (LSI protection, ammeter)

DB112224



Compact NSX100B (25 kA at 380/415 V)

Rating	3P 3d	4P 3d, 4d, 3d + N/2, 3d + OSN
40	LV429872	LV429877
100	LV429870	LV429875

Compact NSX160B (25 kA at 380/415 V)

Rating	3P 3d	4P 3d, 4d, 3d + N/2, 3d + OSN
100	LV430871	LV430876
160	LV430870	LV430875

Compact NSX250B (25 kA at 380/415 V)

Rating	3P 3d	4P 3d, 4d, 3d + N/2, 3d + OSN
100	LV431147	LV431157
160	LV431146	LV431156
250	LV431145	LV431155

With electronic trip unit Micrologic 5.2 E (LSI protection, energy meter)

To be ordered with 2 catalogue numbers: 1 basic frame + 1 trip unit

With electronic trip unit Micrologic 6.2 A (LSIG protection, ammeter)

To be ordered with 2 catalogue numbers: 1 basic frame + 1 trip unit

With electronic trip unit Micrologic 6.2 E (LSIG protection, energy meter)

To be ordered with 2 catalogue numbers: 1 basic frame + 1 trip unit

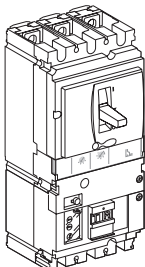
NSX100/160/250B: complete fixed/FC device

Vigicompact NSX100/160/250B (25 kA 380/415 V)

Vigicompact NSX100/160/250B

With thermal-magnetic trip unit TM-D

DB112243



Vigicompact NSX100B (25 kA at 380/415 V) equipped with MH Vigi module (200 to 440 V)

Rating	3P 3d	4P 3d	4P 4d
TM16D	LV429667	LV429707	LV429967
TM25D	LV429666	LV429706	LV429966
TM32D	LV429665	LV429705	LV429965
TM40D	LV429664	LV429704	LV429964
TM50D	LV429663	LV429703	LV429963
TM63D	LV429662	LV429702	LV429962
TM80D	LV429661	LV429701	LV429961
TM100D	LV429660	LV429700	LV429960

Vigicompact NSX160B (25 kA at 380/415 V) equipped with MH Vigi module (200 to 440 V)

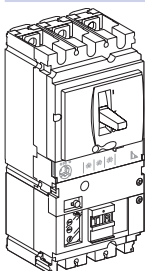
Rating	3P 3d	4P 3d	4P 4d
TM80D	LV430343	LV430353	LV430363
TM100D	LV430342	LV430352	LV430362
TM125D	LV430341	LV430351	LV430361
TM160D	LV430340	LV430350	LV430360

Vigicompact NSX250B (25 kA at 380/415 V) equipped with MH Vigi module (200 to 440 V)

Rating	3P 3d	4P 3d	4P 4d
TM125D	LV431903	LV431913	LV431963
TM160D	LV431902	LV431912	LV431962
TM200D	LV431901	LV431911	LV431961
TM250D	LV431900	LV431910	LV431960

With electronic trip unit Micrologic 2.2 (LS_oI protection)

DB115674



Vigicompact NSX100B (25 kA at 380/415 V) equipped with MH Vigi module (200 to 440 V)

Rating	3P 3d	4P 3d, 4d, 3d + N/2
40	LV429975	LV429985
100	LV429974	LV429984

Vigicompact NSX160B (25 kA at 380/415 V) equipped with MH Vigi module (200 to 440 V)

Rating	3P 3d	4P 3d, 4d, 3d + N/2
40	LV430962	LV430997
100	LV430961	LV430996
160	LV430960	LV430995

Vigicompact NSX250B (25 kA at 380/415 V) equipped with MH Vigi module (200 to 440 V)

Rating	3P 3d	4P 3d, 4d, 3d + N/2
100	LV431977	LV431987
160	LV431976	LV431986
250	LV431975	LV431985

With electronic trip unit Micrologic 5.2 A or 5.2 E (LSI protection, ammeter or energy meter)

To be ordered with 2 catalogue numbers: 1 basic frame + 1 trip unit

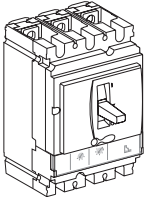
NSX100/160/250F: complete fixed/FC device

Compact NSX100/160/250F
(36 kA 380/415 V)

Compact NSX100/160/250F

With thermal-magnetic trip unit TM-D

DB112222



Compact NSX100F (36 kA at 380/415 V)

Rating	3P 2d	3P 3d	4P 3d	4P 4d
TM16D	LV429627	LV429637	LV429647	LV429657
TM25D	LV429626	LV429636	LV429646	LV429656
TM32D	LV429625	LV429635	LV429645	LV429655
TM40D	LV429624	LV429634	LV429644	LV429654
TM50D	LV429623	LV429633	LV429643	LV429653
TM63D	LV429622	LV429632	LV429642	LV429652
TM80D	LV429621	LV429631	LV429641	LV429651
TM100D	LV429620	LV429630	LV429640	LV429650

Compact NSX160F (36 kA at 380/415 V)

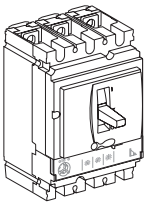
Rating	3P 2d	3P 3d	4P 3d	4P 4d
TM80D	LV430623	LV430633	LV430643	LV430653
TM100D	LV430622	LV430632	LV430642	LV430652
TM125D	LV430621	LV430631	LV430641	LV430651
TM160D	LV430620	LV430630	LV430640	LV430650

Compact NSX250F (36 kA at 380/415 V)

Rating	3P 2d	3P 3d	4P 3d	4P 4d
TM125D	LV431623	LV431633	LV431643	LV431653
TM160D	LV431622	LV431632	LV431642	LV431652
TM200D	LV431621	LV431631	LV431641	LV431651
TM250D	LV431620	LV431630	LV431640	LV431650

With electronic trip unit Micrologic 2.2 (LS_oI protection)

DB112223



Compact NSX100F (36 kA at 380/415 V)

Rating	3P 3d	4P 3d, 4d, 3d + N/2
40	LV429772	LV429782
100	LV429770	LV429780

Compact NSX160F (36 kA at 380/415 V)

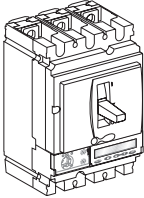
Rating	3P 3d	4P 3d, 4d, 3d + N/2
100	LV430771	LV430781
160	LV430770	LV430780

Compact NSX250F (36 kA at 380/415 V)

Rating	3P 3d	4P 3d, 4d, 3d + N/2
100	LV431772	LV431782
160	LV431771	LV431781
250	LV431770	LV431780

With electronic trip unit Micrologic 5.2 A (LSI protection, ammeter)

DB112224



Compact NSX100F (36 kA at 380/415 V)

Rating	3P 3d	4P 3d, 4d, 3d + N/2, 3d + OSN
40	LV429882	LV429887
100	LV429880	LV429885

Compact NSX160F (36 kA at 380/415 V)

Rating	3P 3d	4P 3d, 4d, 3d + N/2, 3d + OSN
100	LV430881	LV430886
160	LV430880	LV430885

Compact NSX250F (36 kA at 380/415 V)

Rating	3P 3d	4P 3d, 4d, 3d + N/2, 3d + OSN
100	LV431862	LV431867
160	LV431861	LV431866
250	LV431860	LV431865

With electronic trip unit Micrologic 5.2 E (LSI protection, energy meter)

To be ordered with 2 catalogue numbers: 1 basic frame + 1 trip unit

With electronic trip unit Micrologic 6.2 A (LSIG protection, ammeter)

To be ordered with 2 catalogue numbers: 1 basic frame + 1 trip unit

With electronic trip unit Micrologic 6.2 E (LSIG protection, energy meter)

To be ordered with 2 catalogue numbers: 1 basic frame + 1 trip unit

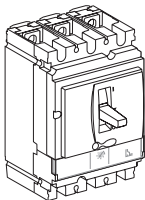
NSX100/160/250F: complete fixed/FC device (cont.)

Compact NSX100/160/250F (36 kA 380/415 V) (cont.)

Compact NSX100/160/250F

With magnetic trip unit MA

DB115664



Compact NSX100F (36 kA at 380/415 V)

Rating	3P 3d
MA2.5	LV429745
MA6.3	LV429744
MA12.5	LV429743
MA25	LV429742
MA50	LV429741
MA100	LV429740

Compact NSX160F (36 kA at 380/415 V)

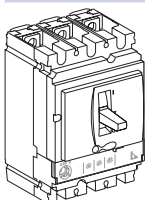
Rating	3P 3d
MA100	LV430831
MA150	LV430830

Compact NSX250F (36 kA at 380/415 V)

Rating	3P 3d
MA150	LV431749
MA220	LV431748

With electronic trip unit Micrologic 2.2-M (LS_oI motor protection)

DB112223



Compact NSX100F (36 kA at 380/415 V)

Rating	3P 3d
25	LV429828
50	LV429827
100	LV429825

Compact NSX160F (36 kA at 380/415 V)

Rating	3P 3d
100	LV430986
150	LV430985

Compact NSX250F (36 kA at 380/415 V)

Rating	3P 3d
150	LV431161
220	LV431160

With electronic trip unit Micrologic 6.2 E-M (LSIG motor protection, energy meter)

To be ordered with 2 catalogue numbers: 1 basic frame + 1 trip unit

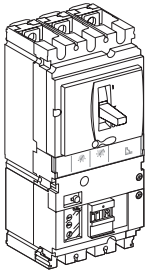
NSX100/160/250F: complete fixed/FC device (cont.)

Vigicompact NSX100/160/250F (36 kA 380/415 V)

Vigicompact NSX100/160/250F

With thermal-magnetic trip unit TM-D

DB112243



Vigicompact NSX100F (36 kA at 380/415 V) equipped with MH Vigi module (200 to 440 V)

Rating	3P 3d	4P 3d	4P 4d
TM16D	LV429937	LV429947	LV429957
TM25D	LV429936	LV429946	LV429956
TM32D	LV429935	LV429945	LV429955
TM40D	LV429934	LV429944	LV429954
TM50D	LV429933	LV429943	LV429953
TM63D	LV429932	LV429942	LV429952
TM80D	LV429931	LV429941	LV429951
TM100D	LV429930	LV429940	LV429950

Vigicompact NSX160F (36 kA at 380/415 V) equipped with MH Vigi module (200 to 440 V)

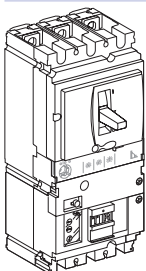
Rating	3P 3d	4P 3d	4P 4d
TM80D	LV430933	LV430943	LV430953
TM100D	LV430932	LV430942	LV430952
TM125D	LV430931	LV430941	LV430951
TM160D	LV430930	LV430940	LV430950

Vigicompact NSX250F (36 kA at 380/415 V) equipped with MH Vigi module (200 to 440 V)

Rating	3P 3d	4P 3d	4P 4d
TM125D	LV431933	LV431943	LV431953
TM160D	LV431932	LV431942	LV431952
TM200D	LV431931	LV431941	LV431951
TM250D	LV431930	LV431940	LV431950

With electronic trip unit Micrologic 2.2 (LS₀I protection)

DB115674



Vigicompact NSX100F (36 kA at 380/415 V) equipped with MH Vigi module (200 to 440 V)

Rating	3P 3d	4P 3d, 4d, 3d + N/2
40	LV429972	LV429982
100	LV429970	LV429980

Vigicompact NSX160F (36 kA at 380/415 V) equipped with MH Vigi module (200 to 440 V)

Rating	3P 3d	4P 3d, 4d, 3d + N/2
40	LV430973	LV430983
100	LV430971	LV430981
160	LV430970	LV430980

Vigicompact NSX250F (36 kA at 380/415 V) equipped with MH Vigi module (200 to 440 V)

Rating	3P 3d	4P 3d, 4d, 3d + N/2
100	LV431972	LV431982
160	LV431971	LV431981
250	LV431970	LV431980

With electronic trip unit Micrologic 5.2 A or 5.2 E (LSI protection, energy meter)

To be ordered with 2 catalogue numbers: 1 basic frame + 1 trip unit

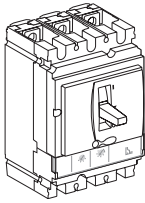
NSX100/160/250N: complete fixed/FC device

Compact NSX100/160/250N
(50 kA 380/415 V)

Compact NSX100/160/250N

With thermal-magnetic trip unit TM-D

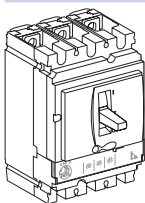
DB112222



Compact NSX100N (50 kA at 380/415 V)			
Rating	3P 3d	4P 3d	4P 4d
TM16D	LV429847	LV429857	LV429867
TM25D	LV429846	LV429856	LV429866
TM32D	LV429845	LV429855	LV429865
TM40D	LV429844	LV429854	LV429864
TM50D	LV429843	LV429853	LV429863
TM63D	LV429842	LV429852	LV429862
TM80D	LV429841	LV429851	LV429861
TM100D	LV429840	LV429850	LV429860
Compact NSX160N (50 kA at 380/415 V)			
Rating	3P 3d	4P 3d	4P 4d
TM80D	LV430843	LV430853	LV430863
TM100D	LV430842	LV430852	LV430862
TM125D	LV430841	LV430851	LV430861
TM160D	LV430840	LV430850	LV430860
Compact NSX250N (50 kA at 380/415 V)			
Rating	3P 3d	4P 3d	4P 4d
TM125D	LV431833	LV431843	LV431853
TM160D	LV431832	LV431842	LV431852
TM200D	LV431831	LV431841	LV431851
TM250D	LV431830	LV431840	LV431850

With electronic trip unit Micrologic 2.2 (LS_oI protection)

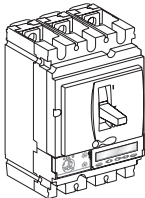
DB112223



Compact NSX100N (50 kA at 380/415 V)			
Rating	3P 3d	4P 3d	4P 3d, 4d, 3d + N/2
40	LV429797	LV429797	LV429807
100	LV429795	LV429795	LV429805
Compact NSX160N (50 kA at 380/415 V)			
Rating	3P 3d	4P 3d	4P 3d, 4d, 3d + N/2
100	LV430776	LV430776	LV430786
160	LV430775	LV430775	LV430785
Compact NSX250N (50 kA at 380/415 V)			
Rating	3P 3d	4P 3d	4P 3d, 4d, 3d + N/2
100	LV431872	LV431872	LV431877
160	LV431871	LV431871	LV431876
250	LV431870	LV431870	LV431875

With electronic trip unit Micrologic 5.2 A (LSI protection, ammeter)

DB112224



Compact NSX100N (50 kA at 380/415 V)			
Rating	3P 3d	4P 3d	4P 3d, 4d, 3d + N/2, OSN
40	LV429892	LV429892	LV429897
100	LV429890	LV429890	LV429895
Compact NSX160N (50 kA at 380/415 V)			
Rating	3P 3d	4P 3d	4P 3d, 4d, 3d + N/2, OSN
100	LV430891	LV430891	LV430896
160	LV430890	LV430890	LV430895
Compact NSX250N (50 kA at 380/415 V)			
Rating	3P 3d	4P 3d	4P 3d, 4d, 3d + N/2, OSN
100	LV431882	LV431882	LV431887
160	LV431881	LV431881	LV431886
250	LV431880	LV431880	LV431885

With electronic trip unit Micrologic 5.2 E (LSI protection, energy meter)

To be ordered with 2 catalogue numbers: 1 basic frame + 1 trip unit

With electronic trip unit Micrologic 6.2 A (LSIG protection, ammeter)

To be ordered with 2 catalogue numbers: 1 basic frame + 1 trip unit

With electronic trip unit Micrologic 6.2 E (LSIG protection, energy meter)

To be ordered with 2 catalogue numbers: 1 basic frame + 1 trip unit

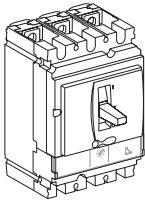
NSX100/160/250N: complete fixed/FC device (cont.)

Compact NSX100/160/250N (50 kA 380/415 V) (cont.)

Compact NSX100/160/250N

With magnetic trip unit MA

DB115864



Compact NSX100N (50 kA at 380/415 V)

Rating	3P 3d
MA2.5	LV429755
MA6.3	LV429754
MA12.5	LV429753
MA25	LV429752
MA50	LV429751
MA100	LV429750

Compact NSX160N (50 kA at 380/415 V)

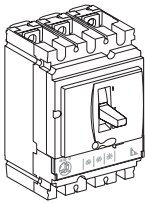
Rating	3P 3d
MA100	LV430833
MA150	LV430832

Compact NSX250N (50 kA at 380/415 V)

Rating	3P 3d
MA150	LV431753
MA220	LV431752

With electronic trip unit Micrologic 2.2-M (LS_oI motor protection)

DB112223



Compact NSX100N (50 kA at 380/415 V)

Rating	3P 3d
25	LV429833
50	LV429832
100	LV429830

Compact NSX160N (50 kA at 380/415 V)

Rating	3P 3d
100	LV430989
150	LV430988

Compact NSX250N (50 kA at 380/415 V)

Rating	3P 3d
150	LV431166
220	LV431165

With electronic trip unit Micrologic 6.2 E-M (LSIG motor protection, energy meter)

To be ordered with 2 catalogue numbers: 1 basic frame + 1 trip unit

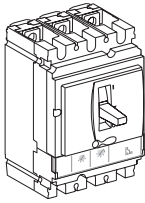
NSX100/160/250H: complete fixed/FC device

Compact NSX100/160/250H
(70 kA 380/415 V)

Compact NSX100/160/250H

With thermal-magnetic trip unit TM-D

DB112222



Compact NSX100H (70 kA at 380/415 V)

Rating	3P 3d	4P 3d	4P 4d
TM16D	LV429677	LV429687	LV429697
TM25D	LV429676	LV429686	LV429696
TM32D	LV429675	LV429685	LV429695
TM40D	LV429674	LV429684	LV429694
TM50D	LV429673	LV429683	LV429693
TM63D	LV429672	LV429682	LV429692
TM80D	LV429671	LV429681	LV429691
TM100D	LV429670	LV429680	LV429690

Compact NSX160H (70 kA at 380/415 V)

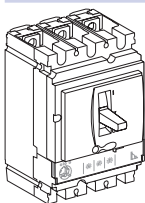
Rating	3P 3d	4P 3d	4P 4d
TM80D	LV430673	LV430683	LV430693
TM100D	LV430672	LV430682	LV430692
TM125D	LV430671	LV430681	LV430691
TM160D	LV430670	LV430680	LV430690

Compact NSX250H (70 kA at 380/415 V)

Rating	3P 3d	4P 3d	4P 4d
TM125D	LV431673	LV431683	LV431693
TM160D	LV431672	LV431682	LV431692
TM200D	LV431671	LV431681	LV431691
TM250D	LV431670	LV431680	LV431690

With electronic trip unit Micrologic 2.2 (LS_oI protection)

DB112223



Compact NSX100H (70 kA at 380/415 V)

Rating	3P 3d	4P 3d, 4d, 3d + N/2
40	LV429792	LV429802
100	LV429790	LV429800

Compact NSX160H (70 kA at 380/415 V)

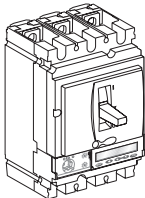
Rating	3P 3d	4P 3d, 4d, 3d + N/2
100	LV430791	LV430801
160	LV430790	LV430800

Compact NSX250H (70 kA at 380/415 V)

Rating	3P 3d	4P 3d, 4d, 3d + N/2
100	LV431792	LV431802
160	LV431791	LV431801
250	LV431790	LV431800

With electronic trip unit Micrologic 5.2 A (LSI protection, ammeter)

DB112224



Compact NSX100H (70 kA at 380/415 V)

Rating	3P 3d	4P 3d, 4d, 3d + N/2, OSN
40	LV429794	LV429804
100	LV429793	LV429803

Compact NSX160H (70 kA at 380/415 V)

Rating	3P 3d	4P 3d, 4d, 3d + N/2, OSN
100	LV430795	LV430805
160	LV430794	LV430804

Compact NSX250H (70 kA at 380/415 V)

Rating	3P 3d	4P 3d, 4d, 3d + N/2, OSN
100	LV431797	LV431807
160	LV431796	LV431806
250	LV431795	LV431805

With electronic trip unit Micrologic 5.2 E (LSI protection, energy meter)

To be ordered with 2 catalogue numbers: 1 basic frame + 1 trip unit

With electronic trip unit Micrologic 6.2 A (LSIG protection, ammeter)

To be ordered with 2 catalogue numbers: 1 basic frame + 1 trip unit

With electronic trip unit Micrologic 6.2 E (LSIG protection, energy meter)

To be ordered with 2 catalogue numbers: 1 basic frame + 1 trip unit

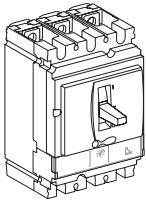
NSX100/160/250H: complete fixed/FC device (cont.)

Compact NSX100/160/250H
(70 kA 380/415 V) (cont.)

Compact NSX100/160/250H

With magnetic trip unit MA

DB115864



Compact NSX100H (70 kA at 380/415 V)

Rating	3P 3d
MA2.5	LV429765
MA6.3	LV429764
MA12.5	LV429763
MA25	LV429762
MA50	LV429761
MA100	LV429760

Compact NSX160H (70 kA at 380/415 V)

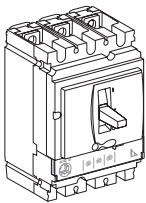
Rating	3P 3d
MA100	LV430835
MA150	LV430834

Compact NSX250H (70 kA at 380/415 V)

Rating	3P 3d
MA150	LV431757
MA220	LV431756

With electronic trip unit Micrologic 2.2-M (LS₀I motor protection)

DB112223



Compact NSX100H (70 kA at 380/415 V)

Rating	3P 3d
25	LV429838
50	LV429837
100	LV429835

Compact NSX160H (70 kA at 380/415 V)

Rating	3P 3d
100	LV430992
150	LV430991

Compact NSX250H (70 kA at 380/415 V)

Rating	3P 3d
150	LV431171
220	LV431170

With electronic trip unit Micrologic 6.2 E-M (LSIG motor protection, energy meter)

To be ordered with 2 catalogue numbers: 1 basic frame + 1 trip unit

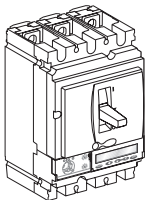
NSX100/160/250NA: complete fixed/FC device

Compact NSX100/160/250NA

Compact NSX100/160/250NA switch-disconnector

With NA switch-disconnector unit

DB112244

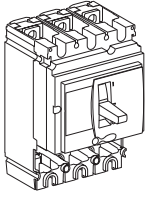


Compact NSX100NA			
Rating	2P	3P	4P
100	LV429619	LV429629	LV429639
Compact NSX160NA			
Rating	2P	3P	4P
160	LV430619	LV430629	LV430639
Compact NSX250NA			
Rating	2P	3P	4P
250	LV431619	LV431629	LV431639

NSX100/160/250B/F/N/H/S/L: fixed/FC device based on separate components Compact and Vigicompact

Basic frame

DB112245



Compact NSX100

	3P	4P
NSX100B (25 kA 380/415 V)	LV429014	LV429015
NSX100F (36 kA 380/415 V)	LV429003	LV429008
NSX100N (50 kA 380/415 V)	LV429006	LV429011
NSX100H (70 kA 380/415 V)	LV429004	LV429009
NSX100S (100 kA 380/415 V)	LV429018	LV429019
NSX100L (150 kA 380/415 V)	LV429005	LV429010

Compact NSX160

	3P	4P
NSX160B (25 kA 380/415 V)	LV430390	LV430395
NSX160F (36 kA 380/415 V)	LV430403	LV430408
NSX160N (50 kA 380/415 V)	LV430406	LV430411
NSX160H (70 kA 380/415 V)	LV430404	LV430409
NSX160S (100 kA 380/415 V)	LV430391	LV430396
NSX160L (150 kA 380/415 V)	LV430405	LV430410

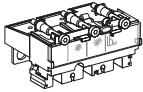
Compact NSX250

	3P	4P
NSX250B (25 kA 380/415 V)	LV431390	LV431395
NSX250F (36 kA 380/415 V)	LV431403	LV431408
NSX250N (50 kA 380/415 V)	LV431406	LV431411
NSX250H (70 kA 380/415 V)	LV431404	LV431409
NSX250S (100 kA 380/415 V)	LV431391	LV431396
NSX250L (150 kA 380/415 V)	LV431405	LV431410

+ Trip unit

Distribution protection

DB112246



Thermal-magnetic TM-D

Rating	3P 3d	4P 3d	4P 4d
TM16D	LV429037	LV429047	LV429057
TM25D	LV429036	LV429046	LV429056
TM32D	LV429035	LV429045	LV429055
TM40D	LV429034	LV429044	LV429054
TM50D	LV429033	LV429043	LV429053
TM63D	LV429032	LV429042	LV429052
TM80D	LV429031	LV429041	LV429051
TM100D	LV429030	LV429040	LV429050
TM125D	LV430431	LV430441	LV430451
TM160D ⁽¹⁾	LV430430	LV430440	LV430450
TM160D ⁽²⁾	LV431432	LV431442	LV431452
TM200D	LV431431	LV431441	LV431451
TM250D	LV431430	LV431440	LV431450

Micrologic 2.2 (LS_oI protection)

Rating	3P 3d	4P 3d, 4d, 3d + N/2
Micrologic 2.2 40 A	LV429072	LV429082
Micrologic 2.2 100 A	LV429070	LV429080
Micrologic 2.2 160 A	LV430470	LV430480
Micrologic 2.2 250 A	LV431470	LV431480

Micrologic 5.2 A (LSI protection, ammeter)

Rating	3P 3d	4P 3d, 4d, 3d + N/2, 3d + OSN
Micrologic 5.2 A 40 A	LV429091	LV429101
Micrologic 5.2 A 100 A	LV429090	LV429100
Micrologic 5.2 A 160 A	LV430490	LV430495
Micrologic 5.2 A 250 A	LV431490	LV431495

Micrologic 5.2 E (LSI protection, energy meter)

Rating	3P 3d	4P 3d, 4d, 3d + N/2, 3d + OSN
Micrologic 5.2 E 40 A	LV429096	LV429106
Micrologic 5.2 E 100 A	LV429095	LV429105
Micrologic 5.2 E 160 A	LV430491	LV430496
Micrologic 5.2 E 250 A	LV431491	LV431496

Micrologic 6.2 A (LSIG protection, ammeter)

Rating	3P 3d	4P 3d, 4d, 3d + N/2, 3d + OSN
Micrologic 6.2 A 40 A	LV429111	LV429136
Micrologic 6.2 A 100 A	LV429110	LV429135
Micrologic 6.2 A 160 A	LV430505	LV430515
Micrologic 6.2 A 250 A	LV431505	LV431515

Micrologic 6.2 E (LSIG protection, energy meter)

Rating	3P 3d	4P 3d, 4d, 3d + N/2, 3d + OSN
Micrologic 6.2 E 40 A	LV429116	LV429141
Micrologic 6.2 E 100 A	LV429115	LV429140
Micrologic 6.2 E 160 A	LV430506	LV430516
Micrologic 6.2 E 250 A	LV431506	LV431516

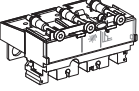
(1) For NSX160.

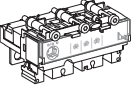
(2) For NSX250.

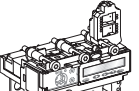
NSX100/160/250B/F/N/H/S/L: fixed/FC device based on separate components (cont.) Compact and Vigicomact (cont.)

+ Trip unit (cont.)

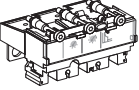
Motor protection

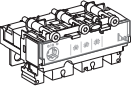
DB115666 	Magnetic MA (I protection)		
	Rating	3P 3d	4P 3d
	MA2.5	LV429125	
	MA6.3	LV429124	
	MA12.5	LV429123	
	MA25	LV429122	
	MA50	LV429121	
	MA100	LV429120	LV429130
	MA150	LV430500	LV430510
MA220	LV431500	LV431510	

DB112247 	Micrologic 2.2-M (LS_oI protection)		
	Rating	3P 3d	
	Micrologic 2.2-M 25 A	LV429174	
	Micrologic 2.2-M 50 A	LV429172	
	Micrologic 2.2-M 100 A	LV429170	
	Micrologic 2.2-M 150 A	LV430520	
Micrologic 2.2-M 220 A	LV431520		

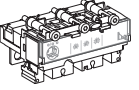
DB112248 	Micrologic 6.2 E-M (LSIG protection, energy meter)		
	Rating	3P 3d	
	Micrologic 6.2 E-M 25 A	LV429184	
	Micrologic 6.2 E-M 50 A	LV429182	
	Micrologic 6.2 E-M 80 A	LV429180	
	Micrologic 6.2 E-M 150 A	LV430521	
	Micrologic 6.2 E-M 220 A	LV431521	

Generator protection

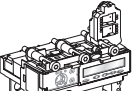
DB112246 	Thermal-magnetic TM-G		
	Rating	3P 3d	4P 4d
	TM16G	LV429155	LV429165
	TM25G	LV429154	LV429164
	TM40G	LV429153	LV429163
	TM63G	LV429152	LV429162

DB112247 	Micrologic 2.2 G (LS_oI protection)		
	Rating	3P 3d	4P 3d, 4d, 3d + N/2
	Micrologic 2.2-G 40 A	LV429076	LV429086
	Micrologic 2.2-G 100 A	LV429075	LV429085
	Micrologic 2.2-G 160 A	LV430475	LV430485
	Micrologic 2.2-G 250 A	LV431475	LV431485


Protection of public distribution systems

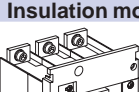
DB112247 	Micrologic 2.2 AB (LS_oI protection)		
	Rating		4P 3d, 4d, 3d + N/2
	Micrologic 2.2-AB 100 A		LV434550
	Micrologic 2.2-AB 160 A		LV434551
	Micrologic 2.2-AB 240 A		LV434554

16 Hz 2/3 network protection

DB112248 	Micrologic 5.2 A-Z (LSI protection, ammeter)		
	Rating	3P 3d	
	Micrologic 5.2 A-Z 100 A	LV429089	
	Micrologic 5.2 A-Z 250 A	LV431489	

+ Vigi module or insulation monitoring module

DB112249 	Vigi module		
		3P	4P
	ME type for NSX100/160 (200 to 440 V)	LV429212	LV429213
	MH type for NSX100/160 (200 to 440 V)	LV429210	LV429211
	MH type for NSX250 (200 to 440 V)	LV431535	LV431536
	MH type for NSX100/160 (440 to 550 V)	LV429215	LV429216
	MH type for NSX250 (440 to 550 V)	LV431533	LV431534
Connection for a 4P Vigi on a 3P breaker		LV429214	

DB112249 	Insulation monitoring module		
		3P	4P
	200 to 440 V AC	LV429459	LV429460
Connection for a 4P insulation monitoring module on a 3P breaker		LV429214	

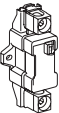
Trip unit accessories

Compact and Vigicompact NSX100/160/250

Trip unit accessories

External neutral CT for 3 pole breaker with Micrologic 5/6

DB112733



25-100 A	LV429521
150-250 A	LV430563

24 V DC wiring accessory for Micrologic 5/6

DB112730



24 V DC power supply connector	LV434210
--------------------------------	----------

ZSI wiring accessory for NS630b NW with NSX

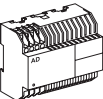
DB115685



ZSI module	LV434212
------------	----------

External power supply module (24 V DC - 1 A), class 4

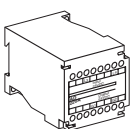
DB112736



24-30 V DC	54440
48-60 V DC	54441
100-125 V DC	54442
110-130 V AC	54443
200-240 V AC	54444
380-415 V AC	54445

Battery module

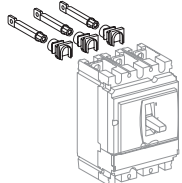
DB112729



24 V DC battery module	54446
------------------------	-------

Fixed/RC device = fixed/FC device + rear connection kit

DB112251

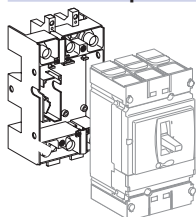


Short RC kit			
Kit 3P		3 x	LV429235
Kit 4P		4 x	LV429235
Mixed RC kit			
Kit 3P	Short RCs	2 x	LV429235
	Long RCs	1 x	LV429236
Kit 4P	Short RCs	2 x	LV429235
	Long RCs	2 x	LV429236

Plug-in version = fixed/FC device + plug-in kit

Kit for Compact

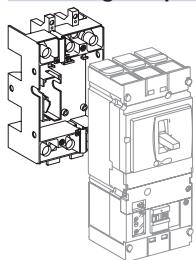
DB112252



	2P (3P)	3P	4P
Plug-in kit	LV429288	LV429289	LV429290
Comprising:			
Base	= 1 x LV429265	= 1 x LV429266	= 1 x LV429267
Power connections	+ 2 x LV429268	+ 3 x LV429268	+ 4 x LV429268
Short terminal shields	+ 2 x LV429515	+ 2 x LV429515	+ 2 x LV429516
Safety trip interlock	+ 1 x LV429270	+ 1 x LV429270	+ 1 x LV429270

Kit for Vigicompact

DB112253

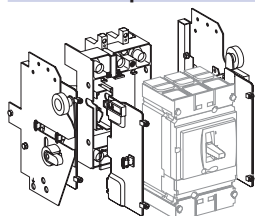


	3P	4P
Vigicompact plug-in kit	LV429291	LV429292
Comprising:		
Base	= 1 x LV429266	= 1 x LV429267
Power connections	+ 3 x LV429269	+ 4 x LV429269
Short terminal shields	+ 2 x LV429515	+ 2 x LV429516
Safety trip interlock	+ 1 x LV429270	+ 1 x LV429270

Withdrawable version = fixed/FC device + withdrawable kit

Kit for Compact

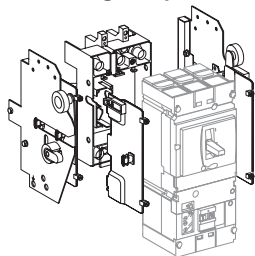
DB112731



	2P (3P)	3P	4P
	Kit for Compact	Kit for Compact	Kit for Compact
Plug-in kit	= 1 x LV429288	= 1 x LV429289	= 1 x LV429290
Chassis side plates for base	+ 1 x LV429282	+ 1 x LV429282	+ 1 x LV429282
Chassis side plates for breaker	+ 1 x LV429283	+ 1 x LV429283	+ 1 x LV429283

Kit for Vigicompact

DB112732



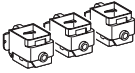
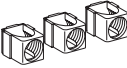

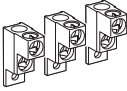
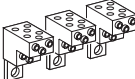

	3P	4P
	Kit for Vigicompact	Kit for Vigicompact
Plug-in kit	= 1 x LV429291	= 1 x LV429292
Chassis side plates for base	+ 1 x LV429282	+ 1 x LV429282
Chassis side plates for breaker	+ 1 x LV429283	+ 1 x LV429283

Connection accessories (Cu or Al)


Rear connections

DB112225		2 short		LV429235
		2 long		LV429236

Bare cable connectors

DB112226		Steel connectors	1 x (1.5 to 95 mm ²) ; ≤ 160 A	Set of 3	LV429242
				Set of 4	LV429243
DB112225		Aluminium connectors	1 x (25 to 95 mm ²) ; ≤ 250 A	Set of 3	LV429227
				Set of 4	LV429228
			1 x (120 to 185 mm ²) ; ≤ 250 A	Set of 3	LV429259
DB112726		Clips for connectors		Set of 4	LV429260
				Set of 10	LV429241
DB112227		Aluminium connectors for 2 cables ⁽¹⁾	2 x (50 to 120 mm ²) ; ≤ 250 A	Set of 3	LV429218
				Set of 4	LV429219
DB112228		Aluminium connectors ⁽¹⁾ for 6 cables	6 x (1.5 to 35 mm ²) ; ≤ 250 A	Set of 3	LV429248
				Set of 4	LV429249
DB112724		6.35 mm voltage tap for steel or aluminium connectors		Set of 10	LV429348

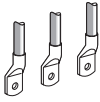
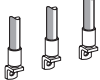
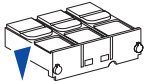
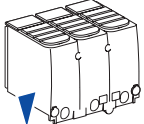
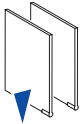
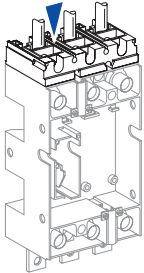
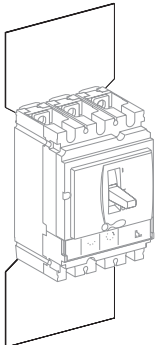
"Polybloc" distribution block (for bare cable)

DB115613		160 A (40 °C) 6 cables S ≤ 10 mm ²	1P	04031
		250 A (40 °C) 9 cables S ≤ 10 mm ²	3P	04033
			4P	04034

Terminal extensions

DB112230		45° terminal extension ⁽¹⁾		Set of 3	LV429223
				Set of 4	LV429224
DB112231		Edgewise terminal extensions ⁽¹⁾		Set of 3	LV429308
				Set of 4	LV429309
DB112232		Right-angle terminal extensions ⁽¹⁾		Set of 3	LV429261
				Set of 4	LV429262
DB112233		Straight terminal extensions ⁽¹⁾		Set of 3	LV429263
				Set of 4	LV429264
DB112234		Double-L terminal extensions ⁽¹⁾		Set of 3	LV429221
				Set of 4	LV429222
DB112235		Spreaders from 35 to 45 mm pitch ⁽¹⁾		3P	LV431563
				4P	LV431564
DB112236		One-piece spreader from 35 to 45 mm pitch		3P	LV431060
				4P	LV431061
				3P/4P	LV431064

⁽¹⁾ Supplied with 2 or 3 interphase barriers.

Crimp lugs for copper cable ⁽¹⁾			
	For cable 120 mm ²	Set of 3	LV429252
		Set of 4	LV429256
	For cable 150 mm ²	Set of 3	LV429253
		Set of 4	LV429257
	For cable 185 mm ²	Set of 3	LV429254
		Set of 4	LV429258
Crimp lugs for aluminium cable ⁽¹⁾			
	For cable 150 mm ²	Set of 3	LV429504
		Set of 4	LV429505
	For cable 185 mm ²	Set of 3	LV429506
		Set of 4	LV429507
Insulation accessories			
	1 short terminal shield for breaker or plug-in base	3 P	LV429515
		4 P	LV429516
	1 long terminal shield for breaker or plug-in base	3 P	LV429517
		4 P	LV429518
	Interphase barriers for breaker or plug-in base	Set of 6	LV429329
	Connection adapter for plug-in base	3P	LV429306
		4P	LV429307
	2 insulating screens for breaker (45 mm pitch)	3P	LV429330
		4P	LV429331

⁽¹⁾ Supplied with 2 or 3 interphase barriers.

Electrical auxiliaries

Auxiliary contacts (changeover)

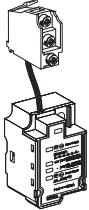
DB11254



OF or SD or SDE or SDV	29450
OF or SD or SDE or SDV low level	29452
SDE adapter, mandatory for trip unit TM, MA or Micrologic 2	LV429451

SDx output module for Micrologic

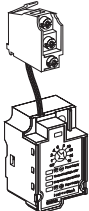
DB11275



SDx module 24/415 V AC/DC	LV429532
---------------------------	----------

SDTAM contactor tripping module (early-break thermal fault signal) for Micrologic 2.2-M/6.2 E-M

DB11276



SDTAM 24/415 V AC/DC overload fault indication	LV429424
--	----------

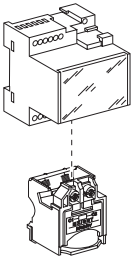
Voltage releases

DB11454



	Voltage	MX	MN
AC	24 V 50/60 Hz	LV429384	LV429404
	48 V 50/60 Hz	LV429385	LV429405
	110-130 V 50/60 Hz	LV429386	LV429406
	220-240 V 50/60 Hz and 208-277 V 60 Hz	LV429387	LV429407
	380-415 V 50 Hz and 440-480 V 60 Hz	LV429388	LV429408
	525 V 50 Hz and 600 V 60 Hz	LV429389	LV429409
DC	12 V	LV429382	LV429402
	24 V	LV429390	LV429410
	30 V	LV429391	LV429411
	48 V	LV429392	LV429412
	60 V	LV429383	LV429403
	125 V	LV429393	LV429413
	250 V	LV429394	LV429414
	MN 48 V 50/60 Hz with fixed time delay		
Composed of:	MN 48 V DC		LV429412
	Delay unit 48 V 50/60 Hz		LV429426
MN 220-240 V 50/60 Hz with fixed time delay			
Composed of:	MN 250 V DC		LV429414
	Delay unit 220-240 V 50/60 Hz		LV429427
MN 48 V DC/AC 50/60 Hz with adjustable time delay			
Composed of:	MN 48 V DC		LV429412
	Delay unit 48 V 50/60 Hz		33680
MN110-130 V DC/AC 50/60 Hz with adjustable time delay			
Composed of:	MN 125 V DC		LV429413
	Delay unit 110-130 V 50/60 Hz		33681
MN 220-250 V 50/60 Hz with adjustable time delay			
Composed of:	MN 250 V DC		LV429414
	Delay unit 220-250 V 50/60 Hz		33682

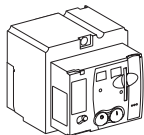
DB11531



Motor mechanism

Motor mechanism module supplied with SDE adapter

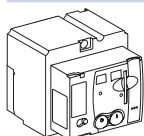
DB125554



	Voltage	MT100/160	MT250
AC	48-60 V 50/60 Hz	LV429440	LV431548
	110-130 V 50/60 Hz	LV429433	LV431540
	220-240 V 50/60 Hz and	LV429434	LV431541
	208-277 V 60 Hz		
	380-415 V 50/60 Hz and	LV429435	LV431542
DC	440-480 V 60 Hz		
	24-30 V	LV429436	LV431543
	48-60 V	LV429437	LV431544
	110-130 V	LV429438	LV431545
	250 V	LV429439	LV431546

Communicating motor mechanism module supplied with SDE adapter

DB112265



Motor mechanism module	MTc 100/160	220-240 V 50/60 Hz	LV429441
	MTc 250	220-240 V 50/60 Hz	LV431549

+

Breaker and Status
Communication Module

BSCM	LV434205
------	----------

+

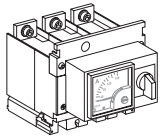
NSX cord

Wire length L = 0.35 m	LV434200
Wire length L = 1.3 m	LV434201
Wire length L = 3 m	LV434202
U > 480 V AC wire length L = 0.35 m	LV434204

Indication and measurement modules

Ammeter module

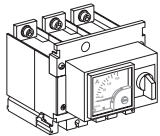
DB112256



Rating (A)	100	160	250
3P	LV429455	LV430555	LV431565
4P	LV429456	LV430556	LV431566

I max. ammeter module

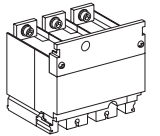
DB112256



Rating (A)	100	160	250
3P	LV434849	LV434850	LV434851

Current transformer module

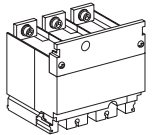
DB112257



Rating (A)	125	150	250
3P	LV429457	LV430557	LV431567
4P	LV429458	LV430558	LV431568

Current transformer module and voltage output

DB112257



Rating (A)	125	150	250
3P	LV429461	LV430561	LV431569
4P	LV429462	LV430562	LV431570

Voltage presence indicator

DB112258

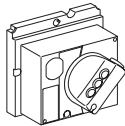


3P/4P	LV429325
-------	----------

Rotary handles

Direct rotary handle

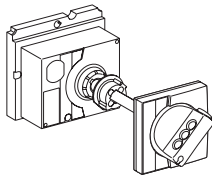
DB112259



With black handle	LV429337
With red handle on yellow front	LV429339
MCC conversion accessory	LV429341
CNOMO conversion accessory	LV429342

Extended rotary handle

DB112260



With black handle	LV429338
With red handle on yellow front	LV429340
With telescopic handle for withdrawable device	LV429343

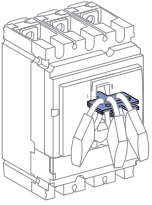
Accessories for direct or extended rotary handle

Indication auxiliary	1 early-break contact	LV429345
	2 early-make contacts	LV429346

Locks

Toggle locking device for 1 to 3 padlocks

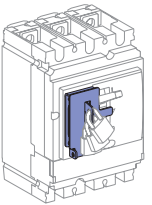
DB112261



By removable device

29370

DB112262

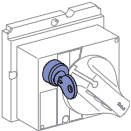


By fixed device

LV429371

Locking of rotary handle

DB112263



Keylock adapter (keylock not included)

LV429344

Keylock (keylock adapter not included)

Ronis 1351B.500

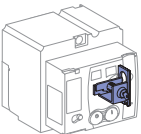
41940

Profalux KS5 B24 D4Z

42888

Locking of motor mechanism module

DB112264

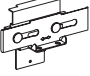


Keylock adapter + Ronis keylock (special)

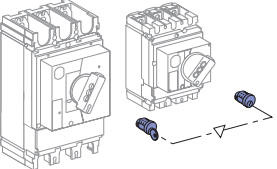
LV429449

Interlocking

Mechanical interlocking for circuit breakers

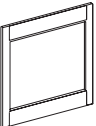
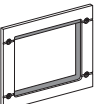
DB11486 	With toggles	LV429354
	With rotary handles	LV429369

Interlocking with key (2 keylocks / 1 key) for rotary handles

DB11288 	Keylock kit (keylock not included) ⁽¹⁾	LV429344	
	1 set of 2 keylocks	Ronis 1351B.500	41950
	(1 key only, keylock kit not included)	Profalux KS5 B24 D4Z	42878

Installation accessories

Front-panel escutcheons

DB11289 	IP30 escutcheon for all control types	LV429525
	IP30 trip unit access escutcheon for toggle	LV429526
	IP30 escutcheon for Vigi module	LV429527
DB11287 	IP40 escutcheon for all control types	LV429317
	IP40 escutcheon for Vigi module	LV429316
	IP40 escutcheon for Vigi or ammeter module	LV429318

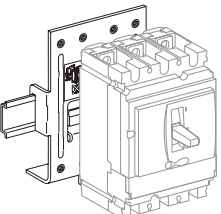
IP43 rubber toggle cover

DB11278 	1 toggle cover	LV429319
--	----------------	----------

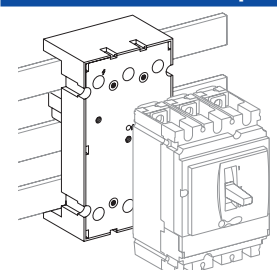
Lead-sealing accessories

DB115615 	Bag of accessories	LV429375
---	--------------------	----------

Din rail adapter

DB11279 	1 adapter	LV429305
--	-----------	----------

60 mm busbar adapter

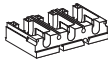
DB11428 	3P 60 mm busbar adapter	29372
--	-------------------------	-------

⁽¹⁾ For only 1 device.

Plug-in/withdrawable version accessories

Insulation accessories

DB117159



1 connection adapter for plug-in base	3P	LV429306
	4P	LV429307

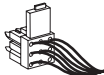
Auxiliary connections

DB117160



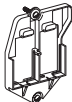
1 9-wire fixed connector (for base)		LV429273
-------------------------------------	--	----------

DB117161



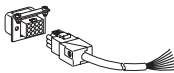
1 9-wire moving connector (for circuit breaker)		LV429274
---	--	----------

DB117162



1 support for 2 moving connectors		LV429275
-----------------------------------	--	----------

DB115885



9-wire manual auxiliary connector (fixed + moving)		LV429272
--	--	----------

Plug-in base accessories

DB117164



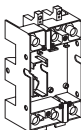
2 long insulated right angle terminal extensions	Set of 2	LV429276
--	----------	----------

DB117165



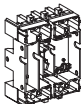
2 IP40 shutters for base		LV429271
--------------------------	--	----------

DB117166



Base	2P	LV429265
	3P	LV429266

DB117167



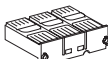
Base	4P	LV429267
------	----	----------

DB117168



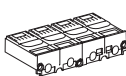
2 power connections	2/3/4P	LV429268
---------------------	--------	----------

DB117169



1 short terminal shield	2/3P	LV429515
-------------------------	------	----------

DB117170



1 short terminal shield	4P	LV429516
-------------------------	----	----------

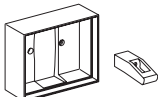
DB117171



1 safety trip interlock	2/3/4P	LV429270
-------------------------	--------	----------

Chassis accessories

DB117172



Escutcheon collar	Toggle	LV429284
-------------------	--------	----------

DB117173



Escutcheon collar	Vigi module	LV429285
-------------------	-------------	----------

DB117163



Locking kit (keylock not included)		LV429286
------------------------------------	--	----------

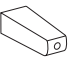
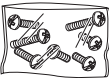

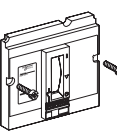


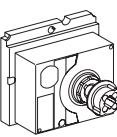

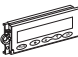
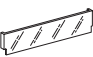
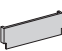
Keylock (keylock adapter not included)	Ronis 1351B.500	41940
	Profalux KS5 B24 D4Z	42888

DB11426



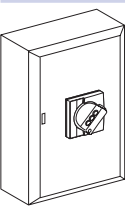
2 carriage switches (connected/disconnected position indication)		LV429287
--	--	----------

Spare parts

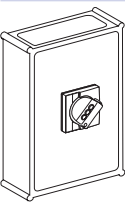
DB111430		10 spare toggle extensions (NSX250)		LV429313
DB111620		Bag of screws		LV429312
DB111431		12 snap-in nuts (fixed/FC)	M6 for NSX100N/H/L M8 for NSX160/250N/H/L	LV429234 LV430554
DB111432		NS retrofit escutcheon	Small cut-out	LV429528
DB111433		IP40 toggle escutcheon	Compact NS type/small cut-out	29315
DB111438		1 set of 10 identification labels		LV429226
DB111429		1 base for extended rotary handle		LV429502
DB111434		Torque limiting screws (set of 12)	3P/4P Compact NSX100-250	LV429513
DB111435		LCD display for electronic trip unit	Micrologic 5 Micrologic 6 Micrologic 6 E-M	LV429483 LV429484 LV429486
DB111436		5 transparent covers for trip unit	TM, MA, NA Micrologic 2 Micrologic 5/6	LV429481 LV429481 LV429478 LV429479
DB115886		5 opaque covers for Micrologic 5/6		LV429479

Individual enclosures

IP55 steel enclosure

DB112270		Compact NSX100/160 with black extended rotary handle		LV431215
		Compact NSX100/160 with red and yellow extended rotary handle		LV431216
		Compact NSX250 or Vigicompact NSX100-250 with black extended rotary handle		LV431217
		Compact NSX250 or Vigicompact NSX100-250 with red and yellow extended rotary handle		LV431218

IP55 insulating enclosure

DB112271		Compact NXS100/160 with black extended rotary handle		LV429465
		Vigicompact NXS100/160 with black extended rotary handle		LV429466
		Compact NXS250 with black extended rotary handle		LV431573
		Vigicompact NXS250 with black extended rotary handle		LV431574

Visible break disconnect function

See catalogue dealing with "Interpact INV products (visible break)" and the associated accessories.
The visible break disconnection function is compatible with fixed front-connected/rear-connected Compact NSX devices.

Monitoring and control (remote operation)

Circuit breaker accessories

DB111439		Breaker Status Control Module	BSCM ⁽¹⁾	LV434205
----------	---	-------------------------------	---------------------	----------

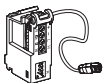
ULP display module⁽²⁾

DB111440		Switchboard front display module FDM121		TRV00121
		FDM mounting accessory (diameter 22 mm)		TRV00128

ULP communication module

DB111441		Modbus interface	Modbus SL communication interface module	TRV00210
----------	---	------------------	--	----------


ULP wiring accessories

DB111442		NSX cord L = 0.35 m		LV434200
		NSX cord L = 1.3 m		LV434201
		NSX cord L = 3 m		LV434202
		NSX cord for U > 480 V AC L = 1.3 m		LV434204

DB115621		10 stacking connectors for communication interface modules		TRV00217
----------	---	--	--	----------

DB111443		10 Modbus line terminators		VW3A8306DRC ⁽³⁾
----------	---	----------------------------	--	----------------------------

DB115622		RS 485 roll cable (4 wires, length 60 m)		50965
----------	---	--	--	-------

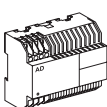
DB115623		5 RJ45 connectors female/female		TRV00870
----------	---	---------------------------------	--	----------

DB111444		10 ULP line terminators		TRV00880
----------	---	-------------------------	--	----------

DB111445		10 RJ45/RJ45 male cord L = 0.3 m		TRV00803
		10 RJ45/RJ45 male cord L = 0.6 m		TRV00806
		5 RJ45/RJ45 male cord L = 1 m		TRV00810
		5 RJ45/RJ45 male cord L = 2 m		TRV00820
		5 RJ45/RJ45 male cord L = 3 m		TRV00830
		1 RJ45/RJ45 male cord L = 5 m		TRV00850

Power supply modules

DB112278		External power supply module 100-240 V AC 110-230 V DC / 24 V DC-3 A class 2		ABL8RPS24030 ⁽³⁾
----------	---	--	--	-----------------------------

DB112276		External power supply module 24 V DC-1 A OVC IV		
		24-30 V DC		54440
		48-60 V DC		54441
		100-125 V AC		54442
		110-130 V AC		54443
		200-240 V AC		54444
		380-415 V AC		54445


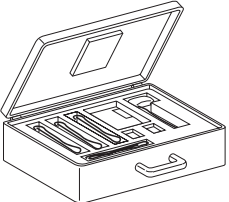

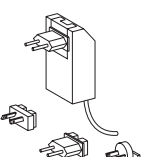


Battery module

DB112729		24 V DC battery module		54446
----------	---	------------------------	--	-------


(1) SDE adapter mandatory for trip unit TM, MA or Micrologic 2 (LV429451).
 (2) For measurement display with Micrologic A and E or status display with BSCM.
 (3) See Telemecanique catalogue.

Test tool, software, demo

Test tool

DB111449		Pocket battery for Micrologic NSX100-630	LV434206
DB111451		Maintenance case Comprising: - USB maintenance interface - Power supply - Micrologic cord - USB cord - RJ45/RJ45 male cord	TRV00910
DB111460		Spare USB maintenance interface	TRV00911
DB111452		Spare power supply 110-240 V AC	TRV00915
DB111453		Spare Micrologic cord for USB maintenance interface	TRV00917
DB111448		Bluetooth/Modbus option for USB maintenance interface	VW3A8114 ⁽¹⁾

Software

DB117169		Configuration and setting software RSU	LV4ST100 ⁽²⁾
		Test software LTU	LV4ST121 ⁽²⁾
		Monitoring software RCU	LV4SM100 ⁽²⁾

Demo tool

Demo case for Compact NSX	LV434207
---------------------------	----------

⁽¹⁾ See *Telemecanique catalogue*.
⁽²⁾ Downloadable from <http://schneider-electric.com>.

NSX400/630F: complete fixed/FC device	F-30
Compact NSX400/630F (36 kA 380/415 V)	F-30
Vigicompact NSX400/630F (36 kA 380/415 V)	F-31
NSX400/630N: complete fixed/FC device	F-32
Compact NSX400/630N (50 kA 380/415 V)	F-32
Vigicompact NSX400/630N (50 kA 380/415 V)	F-33
NSX400/630H: complete fixed/FC device	F-34
Compact NSX400/630H (70 kA 380/415 V)	F-34
NSX400/630NA: complete fixed/FC device	F-35
Compact NSX400/630NA	F-35
NSX400/630F/N/H/S/L: fixed/FC device based on separate components	F-36
Compact and Vigicompact	F-36
Trip unit accessories	F-37
Compact and Vigicompact NSX400/630	F-37
Installation and connection	F-38
Compact and Vigicompact NSX400/630	F-38
Accessories	F-40
Compact and Vigicompact NSX400/630	F-40
Monitoring and control, test tools	F-49
Compact and Vigicompact NSX400/630	F-49
Spare Parts	F-51
User manuals	F-51

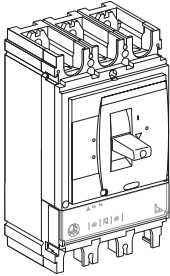
NSX400/630F: complete fixed/FC device

Compact NSX400/630F (36 kA 380/415 V)

Compact NSX400/630F

Electronic trip unit Micrologic 2.3 (LS_oI protection)

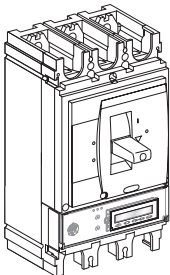
DB11455



		3P 3d	4P 3d, 4d, 3d + N/2
Compact NSX400F (36 kA at 380/415 V)	250 A	LV432682	LV432683
	400 A	LV432676	LV432677
Compact NSX630F (36 kA at 380/415 V)	630 A	LV432876	LV432877

Electronic trip unit Micrologic 5.3 A (LSI protection, ammeter)

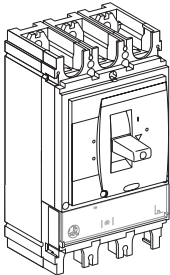
DB11456



		3P 3d	4P 3d, 4d, 3d + N/2, 3d + OSN
Compact NSX400F (36 kA at 380/415 V)	400 A	LV432678	LV432679
	630 A	LV432878	LV432879

Electronic trip unit Micrologic 1.3-M (I motor protection)

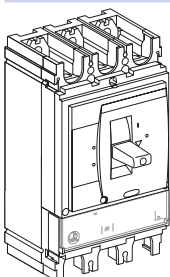
DB11457



		3P 3d
Compact NSX400F 1.3-M (36 kA at 380/415V)	320 A	LV432748
Compact NSX630F 1.3-M (36 kA at 380/415V)	500 A	LV432948

Electronic trip unit Micrologic 2.3-M (LS_oI motor protection)

DB11457



		3P 3d
Compact NSX400F 2.3-M (36 kA at 380/415V)	320 A	LV432775
Compact NSX630F 2.3-M (36 kA at 380/415V)	500 A	LV432975

With electronic trip unit Micrologic 5.3 E (LSI protection, energy meter)

To be ordered with 2 catalogue numbers: 1 basic frame + 1 trip unit

With electronic trip unit Micrologic 6.3 A (LSIG protection, ammeter)

To be ordered with 2 catalogue numbers: 1 basic frame + 1 trip unit

With electronic trip unit Micrologic 6.3 E (LSIG protection, energy meter)

To be ordered with 2 catalogue numbers: 1 basic frame + 1 trip unit

With electronic trip unit Micrologic 6.3 E-M (LSIG motor protection, energy meter)

To be ordered with 2 catalogue numbers: 1 basic frame + 1 trip unit

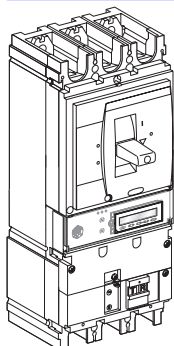
NSX400/630F: complete fixed/FC device

Vigicompact NSX400/630F (36 kA 380/415 V)

Vigicompact NSX400/630F

Electronic trip unit Micrologic 2.3 (LS₀I protection)

DB11469



Vigicompact NSX400F (36 kA at 380/415 V)	400 A	3P 3d LV432731	4P 3d, 4d, 3d + N/2 LV432732
Vigicompact NSX630F (36 kA at 380/415 V)	630 A	LV432931	LV432932

With electronic trip unit Micrologic 5.3 E (LSI protection, energy meter)

To be ordered with 2 catalogue numbers: 1 basic frame + 1 trip unit

With electronic trip unit Micrologic 6.3 A (LSIG protection, ammeter)

To be ordered with 2 catalogue numbers: 1 basic frame + 1 trip unit

With electronic trip unit Micrologic 6.3 E (LSIG protection, energy meter)

To be ordered with 2 catalogue numbers: 1 basic frame + 1 trip unit

With electronic trip unit Micrologic 6.3 E-M (LSIG motor protection, energy meter)

To be ordered with 2 catalogue numbers: 1 basic frame + 1 trip unit

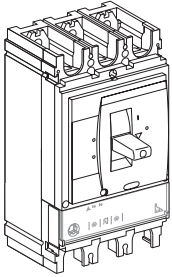
NSX400/630N: complete fixed/FC device

Compact NSX400/630N (50 kA 380/415 V)

Compact NSX400/630N

Electronic trip unit Micrologic 2.3 (LS_oI protection)

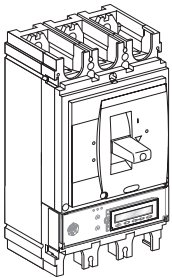
DB111455



Compact NSX400N (50 kA at 380/415 V)	250 A	3P 3d LV432707	4P 3d, 4d, 3d + N/2 LV432708
	400 A	LV432693	LV432694
Compact NSX630N (50 kA at 380/415 V)	630 A	LV432893	LV432894

Electronic trip unit Micrologic 5.3 A (LSI protection, ammeter)

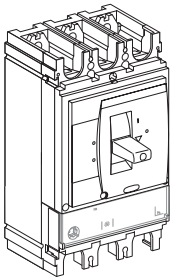
DB111456



Compact NSX400N (50 kA at 380/415 V)	400 A	3P 3d LV432699	4P 3d, 4d, 3d + N/2, 3d + OSN LV432700
Compact NSX630N (50 kA at 380/415 V)	630 A	LV432899	LV432900

Electronic trip unit Micrologic 1.3-M A (I motor protection)

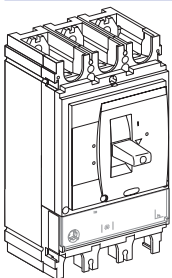
DB111457



Compact NSX400N 1.3-M (50 kA at 380/415V)	320 A	3P 3d LV432749	
Compact NSX630N 1.3-M (50 kA at 380/415V)	500 A	LV432949	

Electronic trip unit Micrologic 2.3-M (LS_oI motor protection)

DB111457



Compact NSX400N 2.3-M (50 kA at 380/415V)	320 A	3P 3d LV432776	
Compact NSX630N 2.3-M (50 kA at 380/415V)	500 A	LV432976	

With electronic trip unit Micrologic 5.3 E (LSI protection, energy meter)

To be ordered with 2 catalogue numbers: 1 basic frame + 1 trip unit

With electronic trip unit Micrologic 6.3 A (LSIG protection, ammeter)

To be ordered with 2 catalogue numbers: 1 basic frame + 1 trip unit

With electronic trip unit Micrologic 6.3 E (LSIG protection, energy meter)

To be ordered with 2 catalogue numbers: 1 basic frame + 1 trip unit

With electronic trip unit Micrologic 6.3 E-M (LSIG motor protection, energy meter)

To be ordered with 2 catalogue numbers: 1 basic frame + 1 trip unit

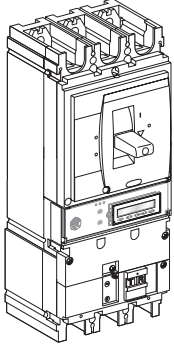
NSX400/630N: complete fixed/FC device

Vigicompact NSX400/630N
(50 kA 380/415 V)

Vigicompact NSX400/630N

Electronic trip unit Micrologic 2.3 (LS_oI protection)

DB11468



Vigicompact NSX400N (50 kA at 380/415 V)	400 A	3P 3d LV432733	4P 3d, 4d, 3d + N/2 LV432734
Vigicompact NSX630N (50 kA at 380/415 V)	630 A	LV432933	LV432934

With electronic trip unit Micrologic 5.3 E (LSI protection, energy meter)

To be ordered with 2 catalogue numbers: 1 basic frame + 1 trip unit

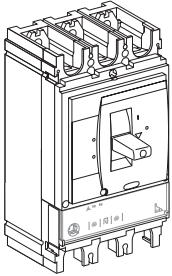
NSX400/630H: complete fixed/FC device

Compact NSX400/630H
(70 kA 380/415 V)

Compact NSX400/630H

Electronic trip unit Micrologic 2.3 (LS₀I protection)

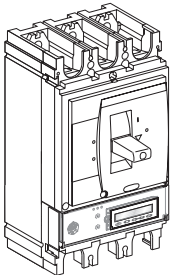
DB11465



Compact NSX400H (70 kA at 380/415 V)	250 A	3P 3d LV432709	4P 3d, 4d, 3d + N/2 LV432710
	400 A	LV432695	LV432696
Compact NSX630H (70 kA at 380/415 V)	630 A	LV432895	LV432896

Electronic trip unit Micrologic 5.3 A (LSI protection, ammeter)

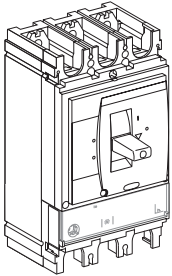
DB11466



Compact NSX400H (70 kA at 380/415 V)	400 A	3P 3d LV432701	4P 3d, 4d, 3d + N/2, 3d + OSN LV432702
	Compact NSX630H (70 kA at 380/415 V)	630 A	LV432901 LV432902

Electronic trip unit Micrologic 1.3-M (I motor protection)

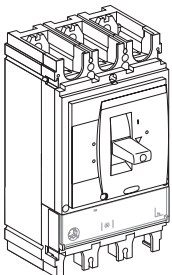
DB11467



Compact NSX400H 1.3-M (70 kA at 380/415V)	320 A	3P 3d LV432750	
	Compact NSX630H 1.3-M (70 kA at 380/415V)	500 A	LV432950

Electronic trip unit Micrologic 2.3-M (LS₀I motor protection)

DB11467



Compact NSX400H 2.3-M (70 kA at 380/415V)	320 A	3P 3d LV432777	
	Compact NSX630H 2.3-M (70 kA at 380/415V)	500 A	LV432977

With electronic trip unit Micrologic 6.3 E (LSIG protection, energy meter)

Only available as separate components.

With electronic trip unit Micrologic 6.3 E-M (LSIG motor protection, energy meter)

Only available as separate components.

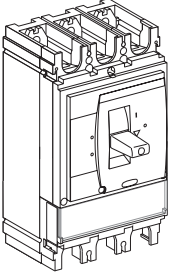
NSX400/630NA: complete fixed/FC device

Compact NSX400/630NA

Compact NSX400/630 0.3 NA switch-disconnector

With 0.3 NA switch-disconnector unit

DE111459



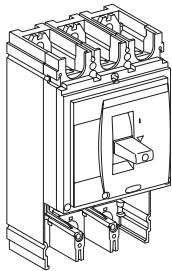
Compact NSX400 0.3 NA	3P LV432756	4P LV432757
Compact NSX630 0.3 NA, 45 mm pitch	LV432956	LV432957

NSX400/630F/N/H/S/L: fixed/ FC device based on separate components

Compact and Vigicompact

Basic frame

DB111460



Compact NSX400

	3P	4P
NSX400F (36 kA 380/415 V)	LV432413	LV432415
NSX400N (50 kA 380/415 V)	LV432403	LV432408
NSX400H (70 kA 380/415 V)	LV432404	LV432409
NSX400S (100 kA 380/415 V)	LV432414	LV432416
NSX400L (150 kA 380/415 V)	LV432405	LV432410

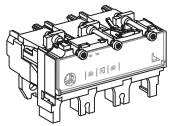
Compact NSX630

	3P	4P
NSX630F (36 kA 380/415 V)	LV432813	LV432815
NSX630N (50 kA 380/415 V)	LV432803	LV432808
NSX630H (70 kA 380/415 V)	LV432804	LV432809
NSX630S (100 kA 380/415 V)	LV432814	LV432816
NSX630L (150 kA 380/415 V)	LV432805	LV432810

+ Trip unit

Distribution protection

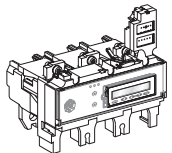
DB111461



Micrologic 2.3 (LS₀I protection)

Rating	3P 3d	4P 3d, 4d, 3d + N/2
Micrologic 2.3 250 A	LV432082	LV432086
Micrologic 2.3 400 A	LV432081	LV432085
Micrologic 2.3 630 A	LV432080	LV432084

DB111462



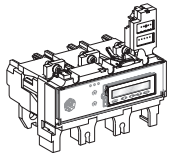
Micrologic 5.3 A (LSI protection, ammeter)

Rating	3P 3d	4P 3d, 4d, 3d + N/2, 3d + OSN
Micrologic 5.3 A 400 A	LV432091	LV432094
Micrologic 5.3 A 630 A	LV432090	LV432093

Micrologic 5.3 E (LSI protection, energy meter)

Rating	3P 3d	4P 3d, 4d, 3d + N/2, 3d + OSN
Micrologic 5.3 E 400 A	LV432097	LV432100
Micrologic 5.3 E 630 A	LV432096	LV432099

DB111462



Micrologic 6.3 A (LSIG protection, ammeter)

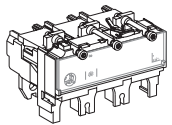
Rating	3P 3d	4P 3d, 4d, 3d + N/2, 3d + OSN
Micrologic 6.3 A 400 A	LV432103	LV432106
Micrologic 6.3 A 630 A	LV432102	LV432105

Micrologic 6.3 E (LSIG protection, energy meter)

Rating	3P 3d	4P 3d, 4d, 3d + N/2, 3d + OSN
Micrologic 6.3 E 400 A	LV432109	LV432112
Micrologic 6.3 E 630 A	LV432108	LV432111

Motor protection

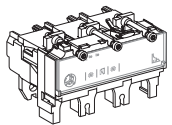
DB111463



Micrologic 1.3-M (I protection)

Rating	3P 3d	4P 3d
Micrologic 1.3-M 320 A	LV432069	LV432078
Micrologic 1.3-M 500 A	LV432068	LV432077

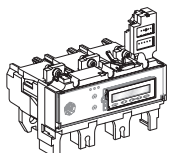
DB111461



Micrologic 2.3-M (LS₀I protection)

Rating	3P 3d	
Micrologic 2.3-M 320 A	LV432072	
Micrologic 2.3-M 500 A	LV432071	

DB111462



Micrologic 6.3 E-M (LSIG protection, energy meter)

Rating	3P 3d	
Micrologic 6.3 E-M 320 A	LV432075	
Micrologic 6.3 E-M 500 A	LV432074	

Protection of public distribution systems

Micrologic 2.3-AB (LS₀I protection)

Rating	4P 3d, 4d, 3d + N/2
Micrologic 2.3 400 A	LV434557

16 Hz 2/3 network protection

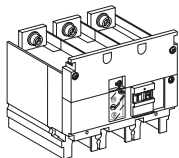
Micrologic 5.3 A-Z (LSI protection, ammeter)

Rating	3P 3d
Micrologic 5.3 A-Z 630 A	LV432089

+ Vigi module or insulation monitoring module

Vigi module

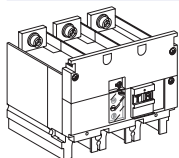
DB111464



Type MB	200 to 440 V	3P	4P
	440 to 550 V	LV432455	LV432456
Connection for a 4P Vigi on a 3P breaker		LV432453	LV432454
			LV432457

Insulation monitoring module

DB111464

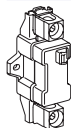


200 to 440 V AC	3P	4P
Connection for a 4P insulation monitoring module on a 3P breaker	LV432659	LV432660
		LV432457

Trip unit accessories

External neutral CT for 3 pole breaker with Micrologic 5/6

DB112277



400-630 A	LV432575
-----------	----------

24 V DC wiring accessory for Micrologic 5/6

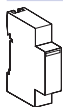
DB112730



24 V DC power supply connector	LV434210
--------------------------------	----------

ZSI accessory for NS630b-NW with NSX

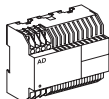
DB115685



ZSI module	LV434212
------------	----------

External power supply module (24 V DC - 1 A), class 4

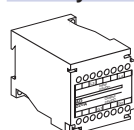
DB112736



24-30 V DC	54440
48-60 V DC	54441
100-125 V DC	54442
110-130 V AC	54443
200-240 V AC	54444
380-415 V AC	54445

Battery module

DB112729

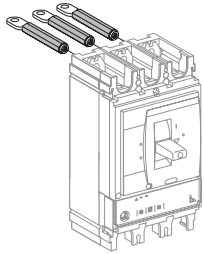


24 V DC battery module	54446
------------------------	-------

Fixed/RC device = fixed/FC device + rear connection kit

Mixed RC kit

DB111465



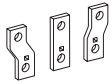
Kit 3P	Short RCs	2 x	LV432475
	Long RCs	1 x	LV432476
Kit 4P	Short RCs	2 x	LV432475
	Long RCs	2 x	LV432476

Fixed/FC device with 52.5 mm or 70 mm pitch = fixed/FC device with 45 mm pitch + spreaders

The pitch of all Compact and Vigicompact NSX400/630 devices is 45 mm. Spreaders are available for fixed front, plug-in or withdrawable connection with pitch of 52.5 mm or 70 mm.

Upstream or downstream spreaders ⁽¹⁾

DB111466

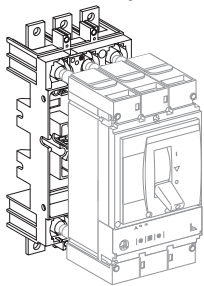


52.5 mm	3P		LV432490
	4P		LV432491
70 mm	3P		LV432492
	4P		LV432493

Plug-in version = fixed/FC device + plug-in kit

Kit for Compact

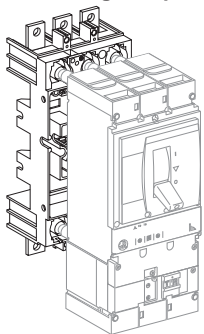
DB111467



	3P	4P
Plug-in kit	LV432538	LV432539
Comprising:		
Base	= 1 x LV432516	= 1 x LV432517
Power connections	+ 3 x LV432518	+ 4 x LV432518
Short terminal shields	+ 2 x LV432591	+ 2 x LV432592
Safety trip interlock	+ 1 x LV432520	+ 1 x LV432520

Kit for Vigicompact

DB111468



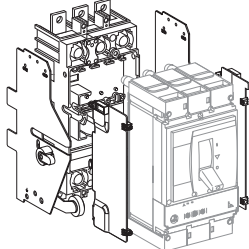
	3P	4P
Vigi plug-in kit	LV432540	LV432541
Comprising:		
Base	= 1 x LV432516	= 1 x LV432517
Power connections	+ 3 x LV432519	+ 4 x LV432519
Short terminal shields	+ 2 x LV432591	+ 2 x LV432592
Safety trip interlock	+ 1 x LV432520	+ 1 x LV432520

⁽¹⁾ Supplied with 2 or 3 interphase barriers.

Withdrawable version = fixed/FC device + withdrawable kit

Kit for Compact

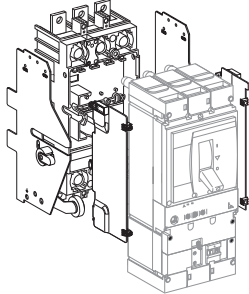
DBE117468



	3P	4P
	Kit for Compact	Kit for Compact
	=	=
Plug-in kit:	1 x LV432538	1 x LV432539
	+	+
Chassis side plates for base	1 x LV432532	1 x LV432532
	+	+
Chassis side plates for breaker	1 x LV432533	1 x LV432533

Kit for Vigicompact

DBE117174



	3P	4P
	Kit for Vigicompact	Kit for Vigicompact
	=	=
Plug-in kit:	1 x LV432540	1 x LV432541
	+	+
Chassis side plates for base	1 x LV432532	1 x LV432532
	+	+
Chassis side plates for breaker	1 x LV432533	1 x LV432533

Connection accessories (Cu or Al)


Rear connections

DB111471		2 short			LV432475
		2 long			LV432476

Bare cable connectors⁽¹⁾

DB115624		Aluminium connectors	1 x (35 to 300 mm ²)	Set of 3	LV432479
				Set of 4	LV432480

DB115625		Aluminium connectors for 2 cables	2 x (35 to 300 mm ²)	Set of 3	LV432481
				Set of 4	LV432482


DB112724		6.35 mm voltage tap for steel or aluminium connectors		Set of 10	LV429348
----------	---	---	--	-----------	----------

Terminal extensions⁽¹⁾

DB115649		45° terminal extensions		Set of 3	LV432586
				Set of 4	LV432587

DB115650		Edgewise terminal extensions		Set of 3	LV432486
				Set of 4	LV432487

DB115651		Right-angle terminal extensions		Set of 3	LV432484
				Set of 4	LV432485

DB115652		Spreaders	52.5 mm	3P	LV432490
				4P	LV432491
				3P	LV432492
				4P	LV432493

Crimp lugs for copper cable⁽¹⁾

DB112237		For cable 240 mm ²		Set of 3	LV432500
				Set of 4	LV432501
				Set of 3	LV432502
				Set of 4	LV432503

Supplied with 2 or 3 interphase barriers

Crimp lugs for aluminium cable⁽¹⁾

DB112238		For cable 240 mm ²		Set of 3	LV432504
				Set of 4	LV432505
				Set of 3	LV432506
				Set of 4	LV432507

Supplied with 2 or 3 interphase barriers

⁽¹⁾ Supplied with 2 or 3 interphase barriers.

Insulation accessories

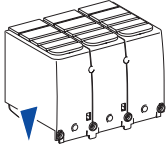
DB11472



Short terminal shield, 45 mm (1 piece)

3 P	LV432591
4 P	LV432592

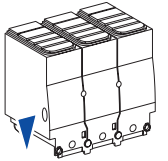
DB11473



Long terminal shield, 45 mm (1 piece)

3 P	LV432593
4 P	LV432594

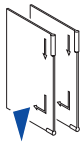
DB115626



Long terminal shield for spreaders, 52.5 mm (1 piece) (supplied with insulating plate)

3 P	LV432595
4 P	LV432596

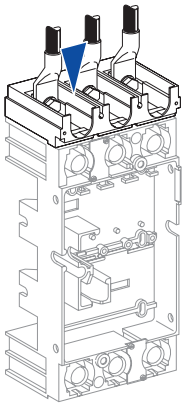
DB115632



Interphase barriers

Set of 6	LV432570
----------	----------

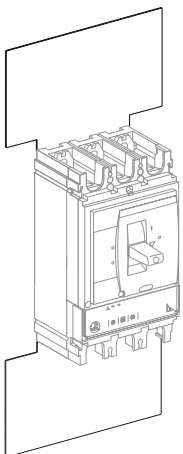
DB115627



Connection adapter for plug-in base

3P	LV432584
4P	LV432585

DB115628



2 insulating screens (70 mm pitch)

3P	LV432578
4P	LV432579

Electrical auxiliaries

Auxiliary contacts (changeover)

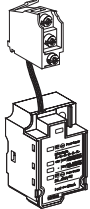
DB112254



OF or SD or SDE or SDV	29450
OF or SD or SDE or SDV low level	29452

SDx output module for Micrologic electronic trip unit

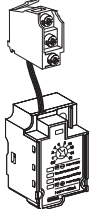
DB112275



SDx module 24/415 V AC/DC	LV429532
---------------------------	----------

SDTAM contactor tripping module (early-break thermal fault signal) for Micrologic 2.3-M/6.3 E-M

DB112276



SDTAM 24/415 V AC/DC overload fault indication	LV429424
--	----------

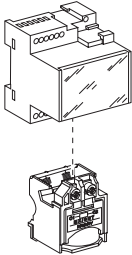
Voltage releases

DB11454



	Voltage	MX	MN	
AC	24 V 50/60 Hz	LV429384	LV429404	
	48 V 50/60 Hz	LV429385	LV429405	
	110-130 V 50/60 Hz	LV429386	LV429406	
	220-240 V 50/60 Hz and 208-277 V 60 Hz	LV429387	LV429407	
	380-415 V 50 Hz and 440-480 V 60 Hz	LV429388	LV429408	
	525 V 50 Hz and 600 V 60 Hz	LV429389	LV429409	
DC	12 V	LV429382	LV429402	
	24 V	LV429390	LV429410	
	30 V	LV429391	LV429411	
	48 V	LV429392	LV429412	
	60 V	LV429383	LV429403	
	125 V	LV429393	LV429413	
	250 V	LV429394	LV429414	
	MN 48 V 50/60 Hz with fixed time delay			
	Composed of:	MN 48 V DC		LV429412
		Delay unit 48 V 50/60 Hz		LV429426
MN 220-240 V 50/60 Hz with fixed time delay				
Composed of:	MN 250 V DC		LV429414	
	Delay unit 220-240 V 50/60 Hz		LV429427	
MN 48 V DC/AC 50/60 Hz with adjustable time delay				
Composed of:	MN 48 V DC		LV429412	
	Delay unit 48 V 50/60 Hz		33680	
MN110-130 V DC/AC 50/60 Hz with adjustable time delay				
Composed of:	MN 125 V DC		LV429413	
	Delay unit 110-130 V 50/60 Hz		33681	
MN 220-250 V 50/60 Hz with adjustable time delay				
Composed of:	MN 250 V DC		LV429414	
	Delay unit 220-250 V 50/60 Hz		33682	

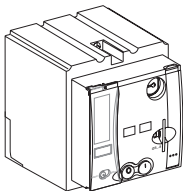
DB115631



Motor mechanism

Motor mechanism module

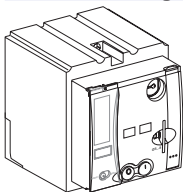
DB111475



AC	Voltage	MT400-630
	48-60 V 50/60 Hz	LV432639
	110-130 V 50/60 Hz	LV432640
	220-240 V 50/60 Hz and 208-277 V 60 Hz	LV432641
	380-415 V 50 Hz	LV432642
	440-480 V 60 Hz	LV432647
DC	24-30 V	LV432643
	48-60 V	LV432644
	110-130 V	LV432645
	250 V	LV432646
Operation counter		LV432648

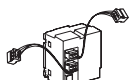
Communicating motor mechanism module

DB111476



Motor mechanism module	MTC 400/630	220-240 V 50/60 Hz	LV432652
------------------------	-------------	--------------------	----------

+



Breaker status Communication Module	BSCM		LV434205
-------------------------------------	------	--	----------

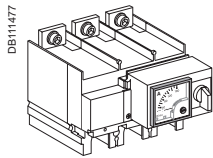
+



NSX cord	Wire length L = 0.35 m	LV434200
	Wire length L = 1.3 m	LV434201
	Wire length L = 3 m	LV434202
	U > 480 V AC wire length L = 0.35 m	LV434204

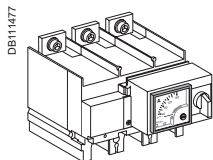
Indication and measurement modules

Ammeter module



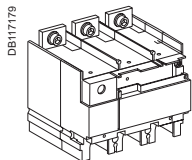
Rating (A)	400	630
3P	LV432655	LV432855
4P	LV432656	LV432856

I max. ammeter module



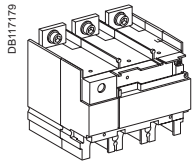
Rating (A)	400	630
3P	LV434852	LV434853

Current transformer module



Rating (A)	400	600
3P	LV432657	LV432857
4P	LV432658	LV432858

Current transformer module and voltage output



Rating (A)	400	600
3P	LV432653	LV432861
4P	LV432654	LV432862

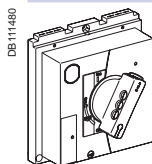
Voltage presence indicator



3P/4P	LV432566
-------	----------

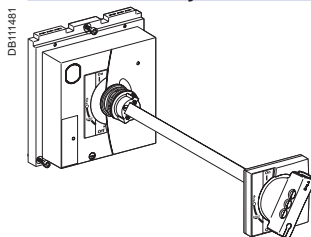
Rotary handles

Direct rotary handle



With black handle	LV432597
With red handle on yellow front	LV432599
MCC conversion accessory	LV432606
CNOMO conversion accessory	LV432602

Extended rotary handle



With black handle	LV432598
With red handle on yellow front	LV432600
With telescopic handle for withdrawable device	LV432603

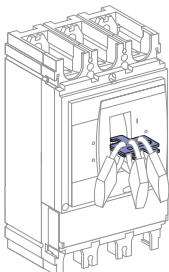
Accessories for direct or extended rotary handle

Indication auxiliary	1 early-break contact	LV432605
	2 early-make contacts	LV429346

Locks

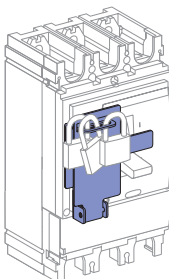
Toggle locking device for 1 to 3 padlocks

DB111483



By removable device	29370
---------------------	-------

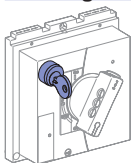
DB111482



By fixed device	LV432631
-----------------	----------

Locking of rotary handle

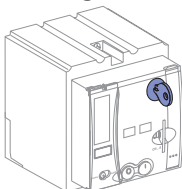
DB111484



Keylock adapter (keylock not included)		LV432604
Keylock (keylock adapter not included)	Ronis 1351B.500	41940
	Profalux KS5 B24 D4Z	42888

Locking of motor mechanism module

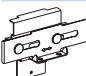
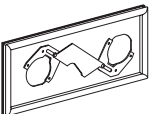
DB111485



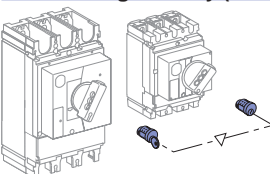
Keylock adapter (keylock not included)		LV432649
Keylock (keylock adapter not included)	Ronis 1351B.500	41940
	Profalux KS5 B24 D4Z	42888

Interlocking

Mechanical interlocking for circuit breakers

DB111486		With toggles	LV432614
	DB111487		With rotary handles

Interlocking with key (2 keylocks / 1 key) for rotary handles

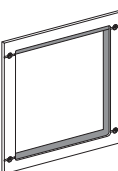
DB112288		Keylock kit (keylock not included) ⁽¹⁾	LV432604	
		1 set of 2 keylocks	Ronis 1351B.500	41950
		(1 key only, keylock kit not included)	Profalux KS5 B24 D4Z	42878

Installation accessories

Front-panel escutcheons


DB111488		IP30 escutcheon for all control types	LV432557
		IP30 trip unit access escutcheon for toggle	LV432559
		IP30 escutcheon for Vigi module	LV429527

IP30

DB111489		IP40 escutcheon for all control types	LV432558
		IP40 escutcheon for Vigi module	LV429316
		IP40 escutcheon for Vigi or ammeter module	LV429318

IP40

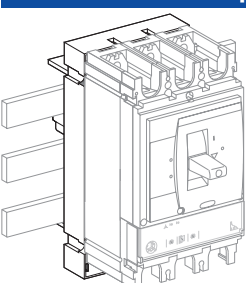
IP43 rubber toggle cover

DB111490		1 toggle cover	LV432560
----------	---	----------------	----------

Lead-sealing accessories

DB115615		Bag of accessories	LV429375
----------	---	--------------------	----------

60 mm busbar adapter

DB111491		3P 60 mm busbar adapter	32623
----------	---	-------------------------	-------

(1) For only 1 device.

Plug-in/withdrawable version accessories

Insulation accessories

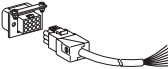
DB117159		Connection adapter for plug-in base	3P	LV432584
			4P	LV432585

Auxiliary connections

DB117160		1 9-wire fixed connector (for base)		LV429273
----------	---	-------------------------------------	--	----------


DB117161		1 9-wire moving connector (for circuit breaker)		LV432523
----------	---	---	--	----------

DB116368		1 support for 3 moving connectors		LV432525
----------	---	-----------------------------------	--	----------

DB115885		9-wire manual auxiliary connector (fixed + moving)		LV429272
----------	---	--	--	----------

Plug-in base accessories

DB117164		Long insulated right angle terminal extensions	Set of 2	LV432526
----------	---	--	----------	----------

DB117165		2 IP40 shutters for base		LV432521
----------	---	--------------------------	--	----------

DB117180		Base	3P	LV432516
----------	---	------	----	----------

DB117181		Base	4P	LV432517
----------	---	------	----	----------

DB117182		Power connections	3/4P	LV432518
----------	---	-------------------	------	----------

DB117183		Short terminal shields	3P	LV432591
----------	---	------------------------	----	----------

DB117184		Short terminal shields	4P	LV432592
----------	---	------------------------	----	----------

DB117171		Safety trip interlock	3/4P	LV432520
----------	---	-----------------------	------	----------

Chassis accessories

DB117172		Escutcheon collar	Toggle	LV432534
----------	---	-------------------	--------	----------

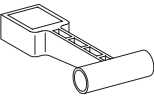
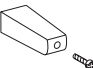

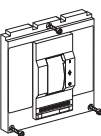
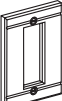
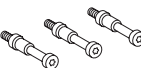

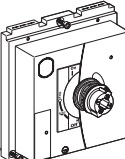



DB117173		Escutcheon collar	Vigi module	LV429285
----------	---	-------------------	-------------	----------

DB117183		Locking kit (keylock not included)		LV429286
----------	---	------------------------------------	--	----------

DB11426		Keylock (keylock adapter not included) Ronis 1351B.500		41940
		Profalux KS5 B24 D4Z		42888

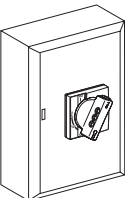
DB11426		2 carriage switches (connected/disconnected position indication)		LV429287
---------	---	--	--	----------

Spare parts

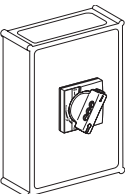
DB115633		Additional toggle extension for NSX400/630		32595
DB111430		5 spare toggle extensions		LV432553
DB115620		Bag of screws		LV432552
DB111493		Compact NS retrofit escutcheon	Small cut-out	LV432571
DB111433		IP40 toggle escutcheon	Compact NS type/small cut-out	32556
DB111434		Torque limiting screws (set of 12)	3P/4P Compact NSX400-630	LV432513
DB111438		1 set of 10 identification labels		LV429226
DB111495		1 base for extended rotary handle		LV432498
DB111435		LCD display for electronic trip unit	Micrologic 5 Micrologic 6 Micrologic E-M	LV429483 LV429484 LV429486
DB111468		5 transparent covers for electronic trip unit	Micrologic 5/6 Micrologic 2	LV432459 LV432461
DB115907		5 opaque covers for Micrologic 5/6		LV432460

Individual enclosures

IP55 steel enclosure

DB111496		Compact NSX400 with black extended rotary handle	LV431219
		Compact NSX400 with red and yellow extended rotary handle	LV431220
		Compact NSX630 or Vigicompact NSX400/630 with black extended rotary handle	LV431221
		Compact NSX630 or Vigicompact NSX400/630 with red and yellow extended rotary handle	LV431222

IP55 insulating enclosure

DB111497		Compact NSX400/630 with black extended rotary handle	LV432665
		Vigicompact NSX400/630 with black extended rotary handle	LV432666

Visible break disconnect function

See catalogue dealing with "Interpact INV products (visible break)" and the associated accessories.
The visible break disconnection function is compatible with fixed front-connected/rear-connected Compact NSX devices.

Monitoring and control (remote operation)

Circuit breaker accessories

DB111439		Breaker Status Control Module	BSCM	LV434205

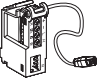



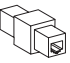


ULP display module ⁽¹⁾

DB111440		Switchboard front display module FDM121		TRV00121
		FDM mounting accessory (diameter 22 mm)		TRV00128

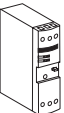
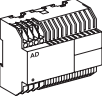
ULP communication module

DB111441		Modbus interface	Modbus SL communication interface module	TRV00210

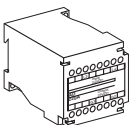
ULP wiring accessories

DB111442		NSX cord L = 0.35 m		LV434200
		NSX cord L = 1.3 m		LV434201
		NSX cord L = 3 m		LV434202
		NSX cord for U > 480 V AC L = 1.3 m		LV434204
		10 stacking connectors for communication interface modules		TRV00217
DB115621				
DB111443		10 Modbus line terminators		VW3A8306DRC ⁽²⁾
DB115622		RS 485 roll cable (4 wires, length 60 m)		50965
DB115623		5 RJ45 connectors female/female		TRV00870
DB111444		10 ULP line terminators		TRV00880
DB111445		10 RJ45/RJ45 male cord L = 0.3 m		TRV00803
		10 RJ45/RJ45 male cord L = 0.6 m		TRV00806
		5 RJ45/RJ45 male cord L = 1 m		TRV00810
		5 RJ45/RJ45 male cord L = 2 m		TRV00820
		5 RJ45/RJ45 male cord L = 3 m		TRV00830
		1 RJ45/RJ45 male cord L = 5 m		TRV00850

Power supply modules

DB112278		External power supply module 100-240 V AC 110-230 V DC / 24 V DC-3 A class 2		ABL8RPS24030 ⁽²⁾
DB112736		External power supply module 24 V DC-1 A OVC IV		
		24-30 V DC		54440
		48-60 V DC		54441
		100-125 V AC		54442
		110-130 V AC		54443
		200-240 V AC		54444
380-415 V AC		54445		


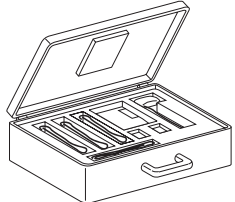

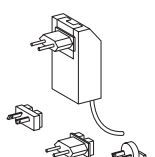


Battery module

DB112729		24 V DC battery module		54446
----------	---	------------------------	--	-------


⁽¹⁾ For measurement display with Micrologic A and E or status display with BSCM.
⁽²⁾ See Telemecanique catalogue.

Test tool, software, demo

Test tool

DB111449		Pocket battery for Micrologic NSX100-630	LV434206
DB111451		Maintenance case Comprising: - USB maintenance interface - Power supply - Micrologic cord - USB cord - RJ45/RJ45 male cord	TRV00910
DB111460		Spare USB maintenance interface	TRV00911
DB111452		Spare power supply 110-240 V AC	TRV00915
DB111453		Spare Micrologic cord for USB maintenance interface	TRV00917
DB111448		Bluetooth/Modbus option for USB maintenance interface	VW3A8114 ⁽¹⁾

Software

DB117169		Configuration and setting software RSU	LV4ST100 ⁽²⁾
		Test software LTU	LV4ST121 ⁽²⁾
		Monitoring software RCU	LV4SM100 ⁽²⁾

Demo tool

Demo case for Compact NSX	LV434207
---------------------------	----------

⁽¹⁾ See *Telemecanique catalogue*.
⁽²⁾ Downloadable from <http://schneider-electric.com>.

Instructions			
User manual			
	Circuit breaker	(French)	LV434100
		(English)	LV434101
	Micrologic 5.6	(French)	LV434103
		(English)	LV434104
	Modbus	(French)	LV434106
		(English)	LV434107
	ULP	(French)	TRV99100
		(English)	TRV99101

Compact NSX100 to NSX630

Circuit breakers and switch-disconnectors

To indicate your choices, check the applicable square boxes or note the quantity and enter the appropriate information in the rectangles

Circuit breaker or switch-disconnector																																													
Compact type	NSX100/160/250 NSX400/630																																												
Rating	A																																												
Circuit breaker	B, F, N, H, S, L																																												
Switch-disconnector	NA																																												
Number of poles	2, 3 or 4																																												
Number of poles tripped	2d, 3d or 4d																																												
Fixed device	Front connections																																												
Plug-in/withdr.	Plug-in <input type="checkbox"/> Withdrawable <input type="checkbox"/>																																												
Earth-leakage protection	ME, MH, MB																																												
Vigi module	Voltage V <input type="checkbox"/> 4P option on 3P NSX																																												
Trip unit																																													
Thermal-mag.	TMD rating (16 ... 250 A) TMG rating (16 ... 63 A) MA rating (2.5 ... 220 A)																																												
Electronic	<table border="0"> <tr> <td>Micrologic 2.2</td> <td><input type="checkbox"/></td> <td>Micrologic 2.3</td> <td><input type="checkbox"/></td> </tr> <tr> <td>Micrologic 2.2-G</td> <td><input type="checkbox"/></td> <td>Micrologic 2.3-AB</td> <td><input type="checkbox"/></td> </tr> <tr> <td>Micrologic 2.2-AB</td> <td><input type="checkbox"/></td> <td>Micrologic 5.3 A</td> <td><input type="checkbox"/></td> </tr> <tr> <td>Micrologic 5.2 A</td> <td><input type="checkbox"/></td> <td>Micrologic 5.3 E</td> <td><input type="checkbox"/></td> </tr> <tr> <td>Micrologic 5.2 E</td> <td><input type="checkbox"/></td> <td>Micrologic 5.3 A-Z</td> <td><input type="checkbox"/></td> </tr> <tr> <td>Micrologic 5.2 A-Z</td> <td><input type="checkbox"/></td> <td>Micrologic 6.3 A</td> <td><input type="checkbox"/></td> </tr> <tr> <td>Micrologic 6.2 A</td> <td><input type="checkbox"/></td> <td>Micrologic 6.3 E</td> <td><input type="checkbox"/></td> </tr> <tr> <td>Micrologic 6.2 E</td> <td><input type="checkbox"/></td> <td>Micrologic 1.3 M</td> <td><input type="checkbox"/></td> </tr> <tr> <td>Micrologic 6.2 M</td> <td><input type="checkbox"/></td> <td>Micrologic 2.3 M</td> <td><input type="checkbox"/></td> </tr> <tr> <td>Micrologic 6.2 E-M</td> <td><input type="checkbox"/></td> <td>Micrologic 6.3 E-M</td> <td><input type="checkbox"/></td> </tr> <tr> <td colspan="4">SDTAM Module</td> </tr> </table>	Micrologic 2.2	<input type="checkbox"/>	Micrologic 2.3	<input type="checkbox"/>	Micrologic 2.2-G	<input type="checkbox"/>	Micrologic 2.3-AB	<input type="checkbox"/>	Micrologic 2.2-AB	<input type="checkbox"/>	Micrologic 5.3 A	<input type="checkbox"/>	Micrologic 5.2 A	<input type="checkbox"/>	Micrologic 5.3 E	<input type="checkbox"/>	Micrologic 5.2 E	<input type="checkbox"/>	Micrologic 5.3 A-Z	<input type="checkbox"/>	Micrologic 5.2 A-Z	<input type="checkbox"/>	Micrologic 6.3 A	<input type="checkbox"/>	Micrologic 6.2 A	<input type="checkbox"/>	Micrologic 6.3 E	<input type="checkbox"/>	Micrologic 6.2 E	<input type="checkbox"/>	Micrologic 1.3 M	<input type="checkbox"/>	Micrologic 6.2 M	<input type="checkbox"/>	Micrologic 2.3 M	<input type="checkbox"/>	Micrologic 6.2 E-M	<input type="checkbox"/>	Micrologic 6.3 E-M	<input type="checkbox"/>	SDTAM Module			
Micrologic 2.2	<input type="checkbox"/>	Micrologic 2.3	<input type="checkbox"/>																																										
Micrologic 2.2-G	<input type="checkbox"/>	Micrologic 2.3-AB	<input type="checkbox"/>																																										
Micrologic 2.2-AB	<input type="checkbox"/>	Micrologic 5.3 A	<input type="checkbox"/>																																										
Micrologic 5.2 A	<input type="checkbox"/>	Micrologic 5.3 E	<input type="checkbox"/>																																										
Micrologic 5.2 E	<input type="checkbox"/>	Micrologic 5.3 A-Z	<input type="checkbox"/>																																										
Micrologic 5.2 A-Z	<input type="checkbox"/>	Micrologic 6.3 A	<input type="checkbox"/>																																										
Micrologic 6.2 A	<input type="checkbox"/>	Micrologic 6.3 E	<input type="checkbox"/>																																										
Micrologic 6.2 E	<input type="checkbox"/>	Micrologic 1.3 M	<input type="checkbox"/>																																										
Micrologic 6.2 M	<input type="checkbox"/>	Micrologic 2.3 M	<input type="checkbox"/>																																										
Micrologic 6.2 E-M	<input type="checkbox"/>	Micrologic 6.3 E-M	<input type="checkbox"/>																																										
SDTAM Module																																													
External neutral CT																																													
24 V DC power supply connector																																													
ZSI wiring accessory for NSX630b NW/NT																																													
External power supply module 24 V DC																																													
24-30 V DC	<input type="checkbox"/>	48-60 V DC	<input type="checkbox"/>																																										
100-125 V AC	<input type="checkbox"/>	110-130 V AC	<input type="checkbox"/>																																										
200-240 V AC	<input type="checkbox"/>	380-415 V AC	<input type="checkbox"/>																																										
Battery module																																													
Connection																																													
Rear-connection kit	Short <input type="checkbox"/> Long <input type="checkbox"/> Mixed <input type="checkbox"/>																																												
NSX100/250 connectors	Snap-on 1.5 ² to 95 ² (< 160 A) Snap-on 25 ² to 95 ² (< 250 A) Snap-on 120 ² to 185 ² (< 250 A) Distribution 6 x 1.5 ² to 35 ² Aluminium 2 cables 50 ² to 120 ²																																												
NSX400/630 connectors	1 cable 35 ² to 300 ² 2 cables 35 ² to 240 ²																																												
Right-angle terminal extensions																																													
Straight extensions	NSX100/250																																												
Edgewise extensions	<input type="checkbox"/> 45° terminal extension <input type="checkbox"/> Double-L terminal extensions																																												
Spreader	NSX100/250 (one piece) <input type="checkbox"/> (45 mm) NSX400/630 (52.5 mm) <input type="checkbox"/> (70 mm)																																												
Cu cable lugs	NSX100/250 120 ² <input type="checkbox"/> 150 ² <input type="checkbox"/> 185 ² <input type="checkbox"/> NSX400/630 240 ² <input type="checkbox"/> 300 ² <input type="checkbox"/>																																												
Al cable lugs	NSX100/250 150 ² <input type="checkbox"/> 185 ² <input type="checkbox"/> NSX400/630 240 ² <input type="checkbox"/> 300 ² <input type="checkbox"/>																																												
Voltage measurement	For lugs NSX100/250 ≤ 185 ²																																												
Input for connector	For lugs NSX400/630																																												
Terminal shields	NSX100/250 Short <input type="checkbox"/> Long <input type="checkbox"/> NSX400/630 Short <input type="checkbox"/> Long <input type="checkbox"/> Long for 52.5 mm spreaders																																												
Interphase barriers	Set of 6																																												
2 insulating screens:	NSX100/250 NSX400/630 70 pitch																																												
Test tool																																													
Pocket battery for Micrologic																																													
Maintenance case																																													
USB maintenance interface																																													
Power supply 110-240 V AC																																													
Spare Micrologic cord																																													

Indication and measurement	
Ammeter module	standard 3P <input type="checkbox"/> 4P <input type="checkbox"/> I max 3P <input type="checkbox"/>
Current-transformer module	3P <input type="checkbox"/> 4P <input type="checkbox"/>
Current-transformer module + TCU	3P <input type="checkbox"/> 4P <input type="checkbox"/>
Insulation-monitoring module	3P <input type="checkbox"/> 4P <input type="checkbox"/>
Voltage-presence indicator	
Auxiliary contact	OF, SD, SDE or SDV Standard <input type="checkbox"/> Low level <input type="checkbox"/>
SDE adapter (TM, MA or Micrologic 2 trip units)	
SDX module	
Remote operation	
Electrical operation	Motor mechanism AC <input type="checkbox"/> DC <input type="checkbox"/> V <input type="checkbox"/>
Voltage releases	Instantaneous MX AC <input type="checkbox"/> DC <input type="checkbox"/> V <input type="checkbox"/> Fixed time delay MN AC <input type="checkbox"/> DC <input type="checkbox"/> V <input type="checkbox"/> Adjust. time delay MN AC <input type="checkbox"/> DC <input type="checkbox"/> V <input type="checkbox"/>
Rotary handles	
Direct	Black <input type="checkbox"/> Red and yellow front <input type="checkbox"/> MCC conversion access. <input type="checkbox"/> CNOMO conversion access. <input type="checkbox"/>
Extended	Black <input type="checkbox"/> Red and yellow front <input type="checkbox"/> Telescopic handle for withdrawable device
Indication auxiliary	1 early-break switch <input type="checkbox"/> 2 early-make switches <input type="checkbox"/>
Locking	
Toggle (1 to 3 padlocks)	Removable <input type="checkbox"/> Fixed <input type="checkbox"/>
Rotary handle	Keylock adapter (keylock not included) <input type="checkbox"/> Keylocks Ronis 1351B.500 <input type="checkbox"/> Profalux KS5 B24 D4Z <input type="checkbox"/>
Motor mechanism	Keylock adapter + keylock Ronis (special) NSX100/250 Keylock adapter (keylock not included) NSX400/630 Keylocks Ronis 1351B.500 <input type="checkbox"/> Profalux KS5 B24 D4Z <input type="checkbox"/>
Interlocking	
Mechanical	Toggle operated <input type="checkbox"/> Rotary Handle <input type="checkbox"/>
By key (2 keylocks, 1 key)	Locking kit without locks
For rotary handle	Keylocks Ronis 1351B.500 <input type="checkbox"/> Profalux KS5 B24 D4Z <input type="checkbox"/>
Installation accessories	
IP30 escutcheon for all types (toggle/rotary handle/motor mechanism)	
IP30 escutcheon (with access to toggle + trip unit)	
IP30 escutcheon for Vigi module	
IP40 escutcheon for all types (toggle/rotary handle/motor mechanism)	
IP40 escutcheon for Vigi module	
IP40 escutcheon for Vigi or ammeter module	
Toggle cover	
Sealing accessories	
DIN rail adapter	NSX100/250
3P 60 mm busbar adapter	
Plug-in / withdrawable configuration accessories	
Auxiliary connections	1 automatic connector fixed part with 9 wires (for base) 1 automatic connector moving part with 9 wires (for circuit breaker) 1 support for 3 automatic connector <input type="checkbox"/> 1 support for 2 automatic connector <input type="checkbox"/> moving parts 9-wire manual auxiliary connector (fixed + moving)
Plug-in base accessories	Long insulated terminals Set of 2 2 IP4 shutters for base
Chassis accessories	Escutcheon collar Toggle <input type="checkbox"/> Vigi <input type="checkbox"/> Locking kit (keylock not included) 2 carriage switches (conn./disconnected position indication)
Parts or plug-in	Plug-in base FC/RC 2P <input type="checkbox"/> 3P <input type="checkbox"/> 4P <input type="checkbox"/>
Withdrawable kits	Set of two power connections Standard <input type="checkbox"/> Vigi <input type="checkbox"/> Safety trip for advanced opening For 3P/4P chassis Moving part Fixed part
Adapter for plug-in base (for terminal shield or interphase barriers)	
Communication	
NSX Cord L = 0.35 m <input type="checkbox"/>	NSX Cord L = 1.3 m <input type="checkbox"/>
NSX Cord U > 480 V AC L = 0.35 m <input type="checkbox"/>	NSX Cord L = 3 m <input type="checkbox"/>
BSCM	
Communicating motor mechanism 220-240V	
Switchboard front display module FDM121	
FDM mounting accessory	
Modbus interface	
Stacking accessory	
ULP line termination	
RJ45 connectors female/female <input type="checkbox"/>	Wire length RJ45 L = 0.3 m <input type="checkbox"/> Wire length RJ45 L = 0.6 m <input type="checkbox"/> Wire length RJ45 L = 1 m <input type="checkbox"/> Wire length RJ45 L = 2 m <input type="checkbox"/> Wire length RJ45 L = 3 m <input type="checkbox"/> Wire length RJ45 L = 5 m <input type="checkbox"/>



Glossary



Glossary

Contents

<i>Functions and characteristics</i>	A-1
<i>Installation recommendations</i>	B-1
<i>Dimensions and connection</i>	C-1
<i>Wiring diagrams</i>	D-1
<i>Additional characteristics</i>	E-1
<i>Catalogue numbers</i>	F-1
Accessories	G-2
Circuit-breaker characteristics (IEC 60947-2)	G-2
Communication	G-4
Components	G-5
Controls	G-5
Discrimination / Cascading	G-6
Environment	G-7
Harmonics	G-8
Measurements	G-8
Protection	G-9
Relays and auxiliary contacts	G-10
Switchgear	G-10
Three-phase asynchronous motors and their protection	G-11
Trip units	G-12

For each major section (Accessories, Switchgear, etc.) and for each item (Adapter for plug-in base, Connection terminal, etc.), this glossary provides:

- the page number in the concerned catalogue
- the reference standard
- the standardised IEC symbol
- the definition.

Text in quotation marks is drawn from the standards.

Accessories

Adapter for plug-in base	▶ A-72	The adapter is a plastic component that can be installed upstream and/or downstream of the plug-in base and enables use of all the connection accessories of the fixed device.
Bare-cable connector	▶ A-71	Conducting part of the circuit breaker intended for connection to power circuits. On Compact NSX, it is an aluminium part that screws to the connection terminals of the circuit breaker. There are one or more holes (single or multiple cable connector) for the ends of bare cables.
Connection terminals	▶ A-70	Flat copper surface, linked to the conducting parts of the circuit breaker and to which power connections are made using bars, connectors or lugs.
One-piece spreader	▶ A-70	The spreader is a plastic component with copper connectors that can be installed upstream and/or downstream of a Compact NSX100 to 250 circuit breaker with a pole pitch of 35 mm. It increases the pitch of the circuit-breaker terminals to the 45 mm pitch of a NSX400/630 device to facilitate connection of large cables.
Spreaders	▶ A-70	Set of three (3P device) or four (4P) flat, conducting parts made of aluminium. They are screwed to the circuit-breaker terminals to increase the pitch between poles.

Circuit-breaker characteristics (IEC 60947-2)


Breaking capacity	▶ A-6	Value of prospective current that a switching device is capable of breaking at a stated voltage under prescribed conditions of use and behaviour. Reference is generally made to the ultimate breaking capacity (I _{cu}) and the service breaking capacity (I _{cs}).
Degree of protection (IP) IEC 60529	▶ A-5	<p>Defines device protection against the penetration of solid objects and liquids, using two digits specified in standard IEC 60259. Each digit corresponds to a level of protection, where 0 indicates no protection.</p> <ul style="list-style-type: none"> ■ First digit (0 to 6): protection against penetration of solid foreign objects. 1 corresponds to protection against objects with a diameter > 50 mm, 6 corresponds to total protection against dust. ■ Second digit (0 to 8): protection against penetration of liquids (water). 1 corresponds to protection against falling drops of water (condensation), 8 corresponds to continuous immersion. <p>The enclosure of Compact NSX circuit breakers provides a minimum of IP40 (protection against objects > 1 mm) and can reach IP56 (protection against dust and powerful water jets) depending on the installation conditions.</p>
Degree of protection against external mechanical impacts (IK)	▶ A-6	<p>Defines the aptitude of an object to resist mechanical impacts on all sides, indicated by a number from 0 to 10 (standard IEC 62262). Each number corresponds to the impact energy (in Joules) that the object can handle according to a standardised procedure.</p> <p>0 corresponds to no protection, 1 to an impact energy of 0.14 Joules, 10 to an impact energy of 20 Joules. Compact NSX provide IK07 (2 Joules) and can provide IK08 (5 Joules) depending on the installation conditions.</p>
Durability	▶ A-6	The term "durability" is used in the standards instead of "endurance" to express the expectancy of the number of operating cycles which can be performed by the equipment before repair or replacement of parts. The term "endurance" is used for specifically defined operational performance.
Electrical durability IEC 60947-1	▶ A-6	With respect to its resistance to electrical wear, equipment is characterised by the number of on-load operating cycles, corresponding to the service conditions given in the relevant product standard, which can be made without replacement.

Frame size	▶ A-70	<p>"A term designating a group of circuit breakers, the external physical dimensions of which are common to a range of current ratings. Frame size is expressed in amperes corresponding to the highest current rating of the group. Within a frame size, the width may vary according to the number of poles. This definition does not imply dimensional standardization."</p> <p>Compact NSX has two frame sizes covering 100 to 250 A and 400 to 630 A.</p>
Insulation class	▶ A-5	<p>Defines the type of device insulation in terms of earthing and the corresponding safety for user, in one of three classes.</p> <ul style="list-style-type: none"> ■ Class I. The device is earthed. Any electrical faults, internal or external, or caused by the load, are cleared via the earthing circuit, thus ensuring user safety. ■ Class II. The device is not connected to a protective conductor. User safety is ensured by reinforced insulation around the live parts (an insulating case and no contact with live parts, i.e. plastic buttons, moulded connections, etc.) or double insulation. ■ Class III. The device may be connected only to SELV (safety extra-low voltage) circuits. The Compact NSX are class II devices (front) and may be installed through the door in class II switchboards (standards IEC 61140 and IEC 60664-1), without reducing insulation, even with a rotary handle or motor mechanism module.
Making capacity		Value of prospective making current that a switching device is capable of making at a stated voltage under prescribed conditions of use and behaviour. Reference is generally made to the short-circuit making capacity I _{cm} .
Maximum break time	▶ A-17	Maximum time after which breaking is effective, i.e. the contacts separated and the current completely interrupted.
Mechanical durability	▶ A-6	With respect to its resistance to mechanical wear, equipment is characterised by the number of no-load operating cycles which can be effected before it becomes necessary to service or replace any mechanical parts.
Non-tripping time	▶ A-17	This is the minimum time during which the protective device does not operate in spite of pick-up overrun, if the duration of the overrun does not exceed the corresponding voluntary time delay.
Pollution degree of environment conditions IEC 60947-1 IEC 60664-1	▶ A-6	<p>"Conventional number based on the amount of conductive or hygroscopic dust, ionized gas or salt and on the relative humidity and its frequency of occurrence, resulting in hygroscopic absorption or condensation of moisture leading to reduction in dielectric strength and/or surface resistivity". Standard IEC 60947-1 distinguishes four pollution degrees.</p> <ul style="list-style-type: none"> ■ Degree 1. No pollution or only dry, non-conductive pollution occurs. ■ Degree 2. Normally, only non-conductive pollution occurs. Occasionally, however, a temporary conductivity caused by condensation may be expected. ■ Degree 3. Conductive pollution occurs, or dry, non-conductive pollution occurs which becomes conductive due to condensation. ■ Degree 4. The pollution generates persistent conductivity caused, for instance, by conductive dust or by rain or snow. Compact NSX meets degree 3, which corresponds to industrial applications.
Prospective short-circuit current	▶ E-13	Current that would flow through the poles if they remained fully closed during the short-circuit.
Rated current (I_n)	▶ A-6	This is the current that the device can carry continuously with the contacts closed and without abnormal temperature rise.
Rated impulse withstand voltage (U_{imp})	▶ A-6	"The peak value of an impulse voltage of prescribed form and polarity which the equipment is capable of withstanding without failure under specified conditions of test and to which the values of the clearances are referred. The rated impulse withstand voltage of an equipment shall be equal to or higher than the values stated for the transient overvoltages occurring in the circuit in which the equipment is fitted".
Rated insulation voltage (U_i)	▶ A-6	"The rated insulation voltage of an equipment is the value of voltage to which dielectric tests and creepage distances are referred. In no case shall the maximum value of the rated operational voltage exceed that of the rated insulation voltage".
Rated operational current (I_e)		"A rated operational current of an equipment is stated by the manufacturer and takes into account the rated operational voltage, the rated frequency, the rated duty, the utilization category and the type of protective enclosure, if appropriate".
Rated operational voltage (U_e)	▶ A-6	<p>"A value of voltage which, combined with a rated operational current, determines the application of the equipment and to which the relevant tests and the utilisation categories are referred. For multipole equipment, it is generally stated as the voltage between phases".</p> <p>This is the maximum continuous voltage at which the equipment may be used.</p>

Rated short-time withstand current (Icw)		"Value of short-time withstand current, assigned to the equipment by the manufacturer, that the equipment can carry without damage, under the test conditions specified in the relevant product standard". Generally expressed in kA for 0.5, 1 or 3 seconds. This is an essential characteristic for air circuit breakers. It is not significant for moulded-case circuit breakers for which the design targets fast opening and high limiting capacity.
Service breaking capacity (Ics)	▶ A-6	Expressed as a percentage of Icu, it provides an indication on the robustness of the device under severe conditions. It is confirmed by a test with one opening and one closing/opening at Ics, followed by a check that the device operates correctly at its rated current, i.e. 50 cycles at In, where temperature rise remains within tolerances and the protection system suffers no damage.
Short-circuit making capacity (Icm)	▶ A-58	Value indicating the capacity of the device to make and carry a high current without repulsion of the contacts. It is expressed in kA peak.
Suitability for isolation (see also Positive contact indication, page G-5)	▶ A-5	This capability means that the circuit breaker meets the conditions below. <ul style="list-style-type: none"> ■ In the open position, it must withstand, without flashover between the upstream and downstream contacts, the impulse voltage specified by the standard as a function of the Uimp indicated on the device. ■ It must indicate contact position by one or more of the following systems: <ul style="list-style-type: none"> □ position of the operating handle □ separate mechanical indicator □ visible break of the moving contacts ■ Leakage current between each pole, with the contacts open, at a test voltage of 1.1 x the rated operating voltage, must not exceed: <ul style="list-style-type: none"> □ 0.5 mA per pole for new devices □ 2 mA per pole for devices already subjected to normal switching operations □ 6 mA, the maximum value that must never be exceeded. ■ It must not be possible to install padlocks unless the contacts are open. Locking in the closed position is permissible for special applications. Compact NSX complies with this requirement by positive contact indication.
Suitable for isolation with positive contact indication (see also Suitability for isolation, page G2)	▶ A-5	Suitability for isolation is defined here by the mechanical reliability of the position indicator of the operating mechanism, where: <ul style="list-style-type: none"> ■ the isolation position corresponds to the O (OFF) position ■ the operating handle cannot indicate the "OFF" position unless the contacts are effectively open. <p>The other conditions for isolation must all be fulfilled:</p> <ul style="list-style-type: none"> ■ locking in the open position is possible only if the contacts are effectively open ■ leakage currents are below the standardised limits ■ overvoltage impulse withstand between upstream and downstream connections.
Ultimate breaking capacity (Icu)	▶ A-6	Expressed in kA, it indicates the maximum breaking capacity of the circuit breaker. It is confirmed by a test with one opening and one closing/opening at Icu, followed by a check that the circuit is properly isolated. This test ensures user safety.

Communication.....

BSCM (Breaker status and control module)	▶ A-27	The optional BSCM for Compact NSX is used to acquire device status indications and control the communicating remote-control function. It includes a memory used to manage the maintenance indicators. It serves as a converter between the analog outputs of the device indication contacts (O/F, SD, SDE) and the digital communicating functions.
Ethernet TCP/IP (Transmission Control Protocol / Internet Protocol)	▶ A-28	Ethernet is a very common network protocol and complies with IEEE standard 802.3. Ethernet TCP/IP is the protocol that brings web functions to Ethernet networks. Most PCs have an Ethernet 10/100 card (10 or 100 Mbit/s) for connection to the internet. Data communicated from Compact NSX via Modbus are accessible on a PC via a TCP/IP-Modbus gateway such as MPS100 or EGX100.
Network		Set of communicating devices that are interconnected by communication lines in order to share data and resources.
Open protocol	▶ 3	A protocol for system communication, interconnection or data exchange for which technical specifications are public, i.e. there are no restrictions on access or implementation. An open protocol is the opposite of a proprietary protocol.
Protocol	▶ A-28	Standardised specification for dialog between digital components that exchange data. It is an operating mode based on the length and structure of binary words and it must be used by all the components exchanging data between themselves. Communication is not possible without using a protocol.

RJ45 connector	▶ A-26	Universal, 8-wire connector that is widely used in digital communication networks. The RJ45 connector is used to interconnect computer equipment (Ethernet, Modbus, etc.), telephones and audiovisual equipment.
RS485 Modbus	▶ A-28	Modbus is the most widely used communication protocol in industrial networks. It operates in master-slave mode. An RS485 multipoint link connects the master and slaves via a pair of wires offering throughputs of up to 38400 bits/second over distances up to 1200 m). The master cyclically polls the slaves which send back the requested information. The Modbus protocol uses frames containing the address of the targeted slave, the function (read, write), the datum and the CRC (cyclical redundancy check).
SDTAM	▶ A-81	Relay module with two static outputs specifically for the motor-protection Micrologic trip units 1 M, 2 M and 6 E-M. An output, linked to the contactor controller, opens the contactor when an overload or other motor fault occurs, thus avoiding opening of the circuit breaker. The other output stores the opening event in memory.
SDx	▶ A-81	Relay module with two outputs that remotes the trip or alarm conditions of Compact NSX circuit breakers equipped with a Micrologic electronic trip unit.
Static output	▶ A-81	Output of a relay made up of a thyristor or triac electronic component. The low switching capability means that a power relay is required. This is the case for the SDx and SDTAM outputs.
ULP (Universal Logic Plug) 	▶ A-31	Connection system used by Compact NSX to communicate information to the Modbus interface via a simple RJ45 cable. Compatible modules are indicated by the symbol opposite.

Components.....

ASIC (Application Specific Integrated Circuit)	▶ A-8	Integrated circuit designed, built and intended for a specific application. It carries out repetitive sequences of instructions engraved in the silicon chip. For that reason, it is extremely reliable because it cannot be modified and is not affected by environment conditions. Micrologic trip units use an ASIC for the protection functions. The ASIC cyclically polls the network status at a high frequency, using the values supplied by captors. Comparison with the settings forms the basis for orders to the electronic trip units.
Microprocessor	▶ A-8	A microprocessor is a more general purpose device than an ASIC. In Micrologic, a microprocessor is used for measurements and it can be programmed. It is not used for the main protection functions that are carried out by the ASIC.

Controls

Communicating motor mechanism	▶ A-82	For Compact NSX remote control via the communication system, a communicating motor mechanism is required. Except for the communication function, it is identical to the standard motor mechanism module and connects to and controlled by the BSCM module.
CNOMO machine-tool rotary handle	▶ A-84	Handle used for machine-tool control enclosures and providing IP54 and IK08.
Direct rotary handle	▶ A-84	This is an optional control handle for the circuit breaker. It has the same three positions I (ON), O (OFF) and TRIPPED as the toggle control. It provides IP40, IK07 and the possibility, due to its extended travel, of using early-make and early-break contacts. It maintains suitability for isolation and offers optional locking using a keylock or a padlock.
Emergency off	▶ A-83	In a circuit equipped with a circuit breaker, this function is carried out by an opening mechanism using an MN undervoltage release or an MX shunt release in conjunction with an emergency off button.
Extended rotary handle	▶ A-84	Rotary handle with an extended shaft to control devices installed at the rear of switchboards. It has the same characteristics as direct rotary handles. It offers multiple locking possibilities using a keylock, a padlock or a door interlock.
Failsafe remote tripping	▶ A-83	Remote tripping is carried out by an opening mechanism using an MN undervoltage release in conjunction with an emergency off button. If power is lost, the protection device opens the circuit breaker.

- Manual toggle control** ▶ A-89 This is the standard control mechanism for the circuit breaker, with a toggle that can be flipped up or down. In a moulded-case circuit breaker (MCCB), there are three positions, I (ON), O (OFF) and TRIPPED. Once in the TRIPPED position, manual reset is required by switching to O (OFF position before reclosing. The TRIPPED position does not offer isolation with positive contact indication. This is guaranteed only by the O (OFF) position.
- MCC rotary handle** ▶ A-84 Handle used for motor control centres and providing IP43 and IK07.
- Motor mechanism module** ▶ A-82 The optional motor mechanism module is used to remotely open, close and recharge the circuit breaker.

Discrimination / Cascading

- Cascading** Cascading implements the current-limiting capacity of a circuit breaker, making it possible to install downstream circuit breakers with lower performance levels. The upstream circuit breaker reduces any high short-circuit currents. This makes it possible to install downstream circuit breakers with breaking capacities less than the prospective short-circuit current at their point of installation. The main advantage of cascading is to reduce the overall cost of switchgear. Because the current is limited throughout the circuit downstream of the limiting circuit breaker, cascading applies to all the devices located downstream.
- Current discrimination** Discrimination based on the difference between the current-protection settings of the circuit breakers. The difference in settings between two successive circuit breakers in a circuit must be sufficient to allow the downstream breaker to clear the fault before the upstream breaker trips.
- Discrimination** ▶ A-8 Discrimination is ensured between upstream and downstream circuit breakers if, when a fault occurs, only the circuit breaker placed immediately upstream of the fault trips. Discrimination is the key to ensuring the continuity of service of an installation.
- Energy discrimination** ▶ A-8 This function is specific to Compact NSX (see Reflex tripping on page G-7) and supplements the other types of discrimination.
- Partial discrimination** ▶ A-8 Discrimination is partial if the conditions for total discrimination are not met up to the ultimate short-circuit current I_{cu}, but only up to a lesser value. This value is called the discrimination limit. If a fault exceeds the discrimination limit, both circuit breakers trip.
- Time discrimination** Discrimination based on the difference between the time-delay settings of the circuit breakers. The upstream trip unit is delayed to provide the downstream breaker the time required to clear the fault.
- Total discrimination** ▶ A-8 Total discrimination is ensured between upstream and downstream circuit breakers if, for all fault values, from overloads up to solid short-circuits, only the downstream circuit breaker trips and the upstream circuit breaker remains closed.
- Zone selective interlocking (ZSI)** ▶ A-18 A number of circuit breakers with Micrologic electronic trip units are interconnected one after another by a pilot wire. In the event of a short-time or ground fault:
 - in the absence of information from downstream, the circuit breaker directly concerned by the fault (i.e. located just upstream of the fault) shifts to the shortest time delay and sends a signal upstream
 - the upstream device, on receiving the signal from the downstream device, maintains its normal time delay.
 In this manner, the fault is cleared rapidly by the circuit breaker closest to the fault.

Environment

- EMC (Electromagnetic compatibility)** ▶ A-5 EMC is the capacity of a device not to disturb its environment during operation (emitted electromagnetic disturbances) and to operate in a disturbed environment (electromagnetic disturbances affecting the device). The standards define various classes for the types of disturbances. Micrologic trip units comply with annexes F and J in standard IEC IEC60947-2.
- Power loss** ▶ B-10 The flow of current through the circuit-breaker poles produces Joule-effect losses caused by the resistance of the poles.
- Pole resistance**

Product environmental profile (PEP) ► A-4

LCA: Life-cycle assessment
ISO 14040

An assessment on the impact of the construction and use of a product on the environment, in compliance with standard ISO 14040, Environmental management, life-cycle assessment (LCA), principles and framework.

For Compact NSX, this assessment is carried out using the standardised EIME (Environmental Impact and Management Explorer) software, which makes possible comparisons between the products of different manufacturers.

It includes all stages, i.e. manufacture, distribution, use and end of life, with set usage assumptions:

- use over 20 years at a percent load of 80% for 14 hours per day and 20% for ten hours

- according to the European electrical-energy model.

It provides the information presented below.

- Materials making up the product: composition and proportions, with a check to make sure no substances forbidden by the RoHS directive are included.

- Manufacture: on Schneider Electric production sites that have set up an environmental management system certified ISO 14001.

- Distribution: packaging in compliance with the 94/62/EC packaging directive (optimised volumes and weights) and optimised distribution flows via local centres.

- Use: no aspects requiring special precautions for use. Power lost through Joule effect in Watts (W) must be < 0.02% of total power flowing through the circuit breaker. Based on the above assumptions, annual consumption from 95 to 200 kWh.

- End of life: products dismantled or crushed. For Compact NSX, 81% of materials can be recycled using standard recycling techniques. Less than 2% of total weight requires special recycling.

Product environmental profile (PEP) ► A-4

Environmental indicators

Environmental indicators are also frequently used for the PEP (sheet available on request for Compact NSX):

- Depletion of natural resources

- Depletion of energy

- Depletion of water

- Potential for atmospheric warming (greenhouse effect)

- Potential for stratospheric ozone depletion

- Creation of atmospheric ozone (ozone layer)

- Acidification of air (acid rain)

- Production of hazardous waste.

RoHS directive ► A-4

(Restriction of Hazardous substances)

European directive 2002/95/EC dated 27 January 2003 aimed at reducing or eliminating the use of hazardous substances. The manufacturer must attest to compliance, without third-party certification. Circuit breakers are not included in the list of concerned products, which are essentially consumer products.

That notwithstanding, Schneider Electric decided to comply with the RoHS directive. Compact NSX products are designed in compliance with RoHS and do not contain (above the authorised levels) lead, mercury, cadmium, hexavalent chromium or flame retardants (polybrominated biphenyls PBB and polybrominated diphenyl ether PBDE).

Safety clearances ► A-4

When installing a circuit breaker, minimum distances (safety clearances) must be maintained between the device and panels, bars and other protection systems installed nearby. These distances, which depend on the ultimate breaking capacity, are defined by tests carried out in accordance with standard IEC 60947-2.

Temperature derating ► B-8

An ambient temperature varying significantly from 40°C can modify operation of magnetic or thermal-magnetic protection functions. It does not affect electronic trip units. However, when electronic trip units are used in high-temperature situations, it is necessary to check the settings to ensure that only the permissible current for the given ambient temperature is let through.

Vibration withstand ► B-2

IEC 60068-2-6

Circuit breakers are tested in compliance with standard IEC 60068-2-6 for the levels required by merchant-marine inspection organisations (Veritas, Lloyd's, etc.):

- 2 to 13.2 Hz: amplitude of ±1 mm

- 13.2 to 100 Hz: constant acceleration of 0.7 g.

WEEE directive ► A-4

(Waste of Electrical and Electronic Equipment)

European directive on managing the waste of electrical and electronic equipment.

Circuit breakers are not included in the list of concerned products.

However, Compact NSX products respect the WEEE directive.

Harmonics.....

- Current harmonics** ▶ **A-20**

Non-linear loads cause harmonic currents that flow in the 50 Hz (or 60 Hz) distribution system. Total harmonic current is the sum of sinusoidal AC currents for which the rms values can be measured and broken down into:

 - the fundamental current at the 50/60 Hz frequency of the distribution system, with an rms value of I_{H_1}
 - harmonic currents with whole, odd multiples (3, 5, 7, etc.) of the 50/60 Hz frequency, called the third-order, fifth-order, etc. harmonics. For example, I_{H_3} , the third-order harmonic at 150/180 Hz, I_{H_5} , the fifth-order harmonic at 250/300 Hz, etc. The presence of harmonics in the system must be monitored and limited because it results in temperature rise, currents in the neutral (caused by the third-order harmonics and multiples), malfunctions of sensitive electronic devices, etc. Micrologic E trip units take into account harmonics up to order 15 in the THDI and THDU calculations.
- Non-linear load**

Systems producing harmonics are present in all industrial, commercial and residential sectors. Harmonics are caused by non-linear loads. A load is said to be non-linear when the current drawn does not have the same waveform as the supply voltage. Typically, loads using power electronics are non-linear. Examples of non-linear loads include computers, rectifiers, variable-speed drives, arc furnaces and fluorescent lighting.
- Total harmonic distortion of current (THDI)** ▶ **A-21**

THDI characterises the distortion of the current wave by harmonics. It indicates the quantity of harmonics in the resulting waveform. It is expressed in percent. The higher the THDI, the more the current is distorted by harmonics. THDI should remain below 10%. Above that level, there is said to be harmonic pollution that is considered severe when it rises above 50%.
- Total harmonic distortion of voltage (THDU)** ▶ **A-21**

THDU characterises the distortion of the voltage wave by harmonics. It indicates the quantity of harmonics in the resulting waveform. It is expressed in percent. The higher the THDU, the more the system voltage is distorted by harmonics. It is advised not to exceed 5% for low-voltage systems.
- Voltage harmonics** ▶ **A-20**

For each current harmonic I_{Hk} , there is a voltage harmonic U_{Hk} of the same order k , where the resulting voltage is the sum of the two waves. The voltage wave is therefore distorted with respect to the standard sinusoidal wave.

Measurements

- Contact wear** ▶ **A-23**

Each time Compact NSX opens, the Micrologic 5 / 6 trip unit measures the interrupted current and increments the contact-wear indicator as a function of the interrupted current, according to test results stored in memory.
- Current transformer with iron-core toroid** ▶ **10**

It is made up of a coil wound around an iron frame through which a power busbar runs. The current flowing in the bar, on passing through the sensor, induces a magnetic field that reverses for each half period. This variation in the field in turn creates an induced current in the coil. This current is proportional to the current flowing in the bar. It is sufficient to supply the measurement electronics. The disadvantage of iron-core measurement current transformers (CT) is that they rapidly saturate for currents > 10 In.
- Current transformer with Rogowski toroid or air-core CT** ▶ **10**

It is made up of a coil without an iron frame, through which a power busbar runs. The output voltage at the coil terminals is proportional to the current flowing through the bar. The result is a current transformer (CT) with a voltage output. The advantage is that it never saturates whatever the primary current and thus enables measurement of high currents. The output is however a very low current that is too low to supply the measurement electronics. For Micrologic, Rogowski CTs measure the current and a second CT, with an iron core, provides the electrical supply.
- Demand current, demand power and peak values** ▶ **A-21**

Average of the instantaneous current or power values over an adjustable fixed or sliding time interval. The highest value observed over the time interval is the peak value. The time interval runs from the last reset.
- Instantaneous current** ▶ **A-21**

True rms value of the current measured by the current transformers over a sliding time interval. Available on Micrologic 5/6 A or E.

Instantaneous voltage	▶ A-21	True rms value of the voltage measured by the voltage sensors over a sliding time interval. Available on Micrologic 5/6 A or E.
Maximeters/minimeters	▶ A-20	Micrologic 5 and 6 A or E can record the minimum and maximum values of electrical parameters over set time periods.
Overvoltage category (OVC - Overvoltage category) IEC 60947-1. Annex H	▶ A-32	Standard IEC 60664-1 stipulates that it is up to the user to select a measurement device with a sufficient overvoltage category, depending on the network voltage and the transient overvoltages likely to occur. Four overvoltage categories define the field of use for a device. ■ Cat. I. Devices supplied by a SELV isolating transformer or a battery. ■ Cat. II. Residential distribution, handheld or laboratory tools and devices connected to standardised 2P + earth electrical outlets (230 V). ■ Cat. III. Industrial distribution, fixed distribution circuits in buildings (main low voltage switchboards, rising mains, elevators, etc.). ■ Cat. IV. Utility substations, overhead lines, certain industrial equipment.
Percent load	▶ A-23	Percentage of current flowing through the circuit breaker with respect to its rated current. Micrologic 6 E-M offers this information and can sum it over the total operating time to provide the load profile for the following ranges, 0 to 49%, 50 to 79%, 80 to 89% and $\geq 90\%$.
Phase sequence	▶ A-23	The order in which the phases are connected (L1, L2, L3 or L1, L3, L2) determines the direction of rotation for three-phase asynchronous motors. Micrologic 6 E-M trip units provide this information.
Power and energy metering (consumption)	▶ A-21	The digital electronics in Micrologic 5/6 E calculate the instantaneous power levels, apparent (S in kVA), active (P in kW) and (Q in kV), and integrate over a time interval to determine the corresponding energies (kVAh, kWh kvarh). Calculations are for each phase and for the total.
Time-stamped histories	▶ A-23	Micrologic trip units store information on events (e.g. alarms and their cause) that are time-stamped to within a millisecond.

Protection.....



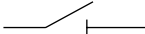

Ground-fault protection G (I_g)	▶ A-19	Protection function specific to electronic circuit breakers, symbolised by G (Ground). This protection can calculate high-threshold residual earth-leakage currents (in the order of tens of Amperes) on the basis of phase-current measurements. Micrologic 5/6 offers this protection function with adjustable pick-up I _g and time delay.
Instantaneous protection I (I_i)	▶ A-19	This protection supplements I _{sd} . It provokes instantaneous opening of the device. The pick-up may be adjustable or fixed (built-in). This value is always lower than the contact-repulsion level.
Long-time protection L (I_r)	▶ A-19	Protection function where the adjustable I _r pick-up determines a protection curve similar to the thermal-protection curve (inverse-time curve I ² t). The curve is generally determined on the basis of the I _r setting which corresponds to a theoretically infinite tripping time (asymptote) and of the point at 6 I _r at which the tripping time depends on the rating.
Magnetic protection (I_m)	▶ A-14	Short-circuit protection provided by magnetic trip units (see this term). The pick-up setting may be fixed or adjustable.
Neutral protection (I_N)	▶ A-16	The neutral is protected because all circuit-breaker poles are interrupted. The setting may be that used for the phases or specific to the neutral, i.e. reduced neutral (0.5 times the phase current) or OSN (oversized neutral) at 1.6 times the phase current. For OSN protection, the maximum device setting is limited to 0.63 I _n .
Residual-current earth-leakage protection (IΔn)	▶ A-34	Protection provided by Vigi modules, in which the residual-current toroids directly detect low-threshold earth-leakage currents (in the order of tens of mA) caused by insulation faults.
Short-delay protection S (I_{sd})	▶ A-19	Protection function specific to electronic circuit breakers, symbolised by S (Short delay or short time). This protection supplements thermal protection. The reaction time is very short, but has a slight time delay to enable discrimination with the upstream device. The short-delay pick-up I _{sd} is adjustable from approximately 1.5 to 10 I _r .
Short-delay protection with fixed time delay S_o (I_{sd})	▶ A-17	Short-delay protection, but with a fixed time delay. This function is available on Micrologic 2. It is symbolised by S _o . It ensures discrimination with downstream devices.

Thermal protection (Ir) ▶ A-15 Overload protection provided by thermal trip units (see this term) using an inverse-time curve (I^2t).

Relays and auxiliary contacts.....

- Auxiliary contact**
IEC 60947-1 "Contact included in an auxiliary circuit and mechanically operated by the switching device".
- Break contact** ▶ A-84
IEC 60947-1 "Control or auxiliary contact which is open when the main contacts of the mechanical switching device are closed and closed when they are open".
- Make contact** ▶ A-84
IEC 60947-1 "Control or auxiliary contact which is closed when the main contacts of the mechanical switching device are closed and open when they are open".
- Relay (electrical)** ▶ A-18
IEC 60947-1 "Device designed to produce sudden, predetermined changes in one or more electrical output circuits when certain conditions are fulfilled in the electrical input circuits controlling the device".
- Relay module with static output** ▶ A-81 Output of a relay made up of a thyristor or triac electronic component. The low interrupting capacity means that a power relay is required. This is the case for the SDx and SDTAM outputs.

Switchgear.....

- Circuit breaker** ▶ A-6
IEC 60947-2
 "Mechanical switching device, capable of making, carrying and breaking currents under normal circuit conditions and also making, carrying for a specified time and breaking currents under specified abnormal circuit conditions such as those of short circuit". Circuit breakers are the device of choice for protection against overloads and short-circuits. Circuit breakers may, as is the case for Compact NSX, be suitable for isolation.
- Circuit-breaker utilisation category** ▶ A-6
IEC 60947-2 The standard defines two utilisation categories, A and B, depending on breaker discrimination with upstream breakers under short-circuit conditions.
 - Category A. Circuit breakers not specifically designed for discrimination applications.
 - Category B. Circuit breakers specifically designed for discrimination, which requires a short time-delay (which may be adjustable) and a rated short-time withstand current in compliance with the standard.
 Compact NSX100 to 630 circuit breakers are category A, however, by design, they provide discrimination with downstream devices (see the Complementary technical information guide).
- Contactors** ▶ A-36
IEC 60947-1
 "Mechanical switching device having only one position of rest, operated otherwise than by hand, capable of making, carrying and breaking currents under normal circuit conditions including operating overload conditions". A contactor is provided for frequent opening and closing of circuits under load or slight overload conditions. It must be combined and coordinated with a protective device against overloads and short-circuits, such as a circuit breaker.
- Contactors utilisation categories** ▶ A-37
IEC 60947-4-1 The standard defines four utilisation categories, AC1, AC2, AC3 and AC4 depending on the load and the control functions provided by the contactor. The class depends on the current, voltage and power factor, as well as contactor withstand capacity in terms of frequency of operation and endurance.
- Current-limiting circuit breaker** ▶ A-36
IEC 60947-2 "A circuit-breaker with a break-time short enough to prevent the short-circuit current reaching its otherwise attainable peak value".
- Disconnectors**
IEC 60947-3
 "Mechanical switching device which, in the open position, complies with the requirements specified for the isolating function". A disconnector serves to isolate upstream and downstream circuits. It is used to open or close circuits under no-load conditions or with a negligible current level. It can carry the rated circuit current and, for a specified time, the short-circuit current.
- Switch-disconnector** ▶ A-56
IEC 60947-3
 "Switch which, in the open position, satisfies the isolating requirements specified for a disconnector". A switch-disconnector serves for switching and isolation. The switch function breaks the circuit under load conditions and the disconnection function isolates the circuit. Protection is not provided. It may be capable of making short-circuit currents if it has the necessary making capacity, but it cannot break short-circuit currents. Compact NSX100 to 630 NA switch-disconnectors have a making capacity.

Switch-disconnector utilisation category IEC 60947-3 **▶ A-57** The standard defines six utilisation categories, AC-21A or B, AC-22 A or B, AC23 A or B. They depend on the rated operational current and the mechanical durability (A for frequent operation or B for infrequent operation). Compact NSX NA switch-disconnectors comply with utilisation categories AC22A or AC23A.

Three-phase asynchronous motors and their protection.....

Locked-rotor protection (Ijam) **▶ A-44** This function steps in when the motor shaft cannot or can no longer drive the load. The result is a high overcurrent.

Long-start protection (Ilong) **▶ A-44** An overly long start means the current drawn remains too high or too low for too long, with respect to the starting current. In all cases, the load cannot be driven and the start must be interrupted. The resulting temperature rise must be taken into account before restarting.

Phase-unbalance or phase-loss protection (Iunbal) **▶ A-43** This protection function steps in if the current values and/or the unbalance in the three phases supplying the motor exceeds tolerances. Currents should be equal and displacement should be one third of a period. Phase loss is a special case of phase unbalance.

Starting current **▶ A-38** Start-up of a three-phase, asynchronous motor is characterised by:
 ■ a high inrush current, approximately 14 I_n for 10 to 15 ms
 ■ a starting current, approximately 7.2 I_n for 5 to 30 seconds
 ■ return to the rated current after the starting time.

Starting time **▶ A-38** Time after which the motor ceases to draw the starting current and falls back to the operating current I_r (≤ I_n).

Thermal image of the rotor and stator **▶ A-44** The thermal image models the thermal behaviour of a motor rotor and stator, taking into account temperature rise caused by overloads or successive starts, and the cooling constants. For each motor power rating, the algorithm takes into account a theoretical amount of iron and copper which modifies the cooling constants.

Thermal protection Protection against overcurrents following an inverse time curve I²t = constant, which defines the maximum permissible temperature rise for the motor. Tripping occurs after a time delay that decreases with increasing current.

Trip class IEC 60947-4-1 **▶ A-38** The trip class determines the trip curve of the thermal protection device for a motor feeder. The standard defines trip classes 5, 10, 20 and 30. These classes are the maximum durations, in seconds, for motor starting with a starting current of 7.2 I_r, where I_r is the thermal setting indicated on the motor rating plate.

Under-load protection (Iund) **▶ A-44** This function steps in when the driven load is too low. It detects a set minimum phase current which signals incorrect operation of the driven machine. In the example of a pump, under-load protection detects when the pump is no longer primed.

Trip units.....

Electronic trip unit (Micrologic) **▶ A-16** Trip unit that continuously measures the current flowing through each phase and the neutral if it exists. For Micrologic, the measurements are provided by built-in current sensors linked to an analog-digital converter with a high sampling frequency. The measurement values are continuously compared by the ASIC to the protection settings. If a setting is overrun, a Mitop release trips the circuit-breaker operating mechanism. This type of trip unit offers much better pick-up and delay setting accuracy than thermal-magnetic trip units. It also provides a wider range of protection functions.

Magnetic release **▶ A-14** Release actuated by a coil or a lever. A major increase in the current (e.g. a short-circuit) produces in the coil or the lever a change in the magnetic field that moves a core. This trips the circuit breaker operating mechanism. Action is instantaneous. The pick-up setting may be adjustable.

Reflex tripping **▶ A-8** Compact NSX circuit breakers have a patented reflex-tripping system based on the energy of the arc and that is independent of the other protection functions. It operates extremely fast, before the other protection functions. It is an additional safety function that operates before the others in the event of a very high short-circuit.

Release IEC 60947-1		Device, mechanically connected to a mechanical switching device (e.g. a circuit breaker), which releases the holding means and permits the opening or the closing of the switching device. For circuit breakers, releases are often integrated in a trip unit.
Shunt release (MX)	▶ A-83	This type of release operates when supplied with current. The MX release provokes circuit-breaker opening when it receives a pulse-type or maintained command.
Thermal-magnetic trip unit	▶ A-14	Trip unit combining thermal protection for overloads and magnetic protection.
Thermal release	▶ A-14	Release in which a bimetal strip is heated by the Joule effect. Above a temperature-rise threshold that is a function of the current and its duration (I^2t curve = constant, which is representative of temperature rise in cables), the bimetal strip bends and releases the circuit-breaker opening mechanism. The pick-up setting may be adjustable.
Undervoltage release (MN)	▶ A-83	This type of release operates when the supply voltage drops below the set minimum.

Notes

Notes



Schneider Electric Industries SAS

35, rue Joseph Monier
CS 30323
F- 92506 Reuil Malmaison Cedex

RCS Nanterre 954 503 439
Capital social 896 313 776 €
www.schneider-electric.com

As standards, specifications and designs change from time to time, please ask for confirmation of the information given in this publication.



This document has been printed on ecological paper

Design: Schneider Electric
Photos: Schneider Electric
Printed: Imprimerie du Pont-de-Claix/JPF - made in France